



**T&S BRASS AND BRONZE WORKS, INC.**  
 2 Saddleback Cove / P.O. Box 1088  
 Travelers Rest, SC 29690

Model No.  
**017493-45**

Item No.

Travelers Rest, SC: 800-476-4103 • Simi Valley, CA: 800-423-0150 • Fax: 864-834-3518 • www.tsbrass.com

This Space for Architect/Engineer Approval

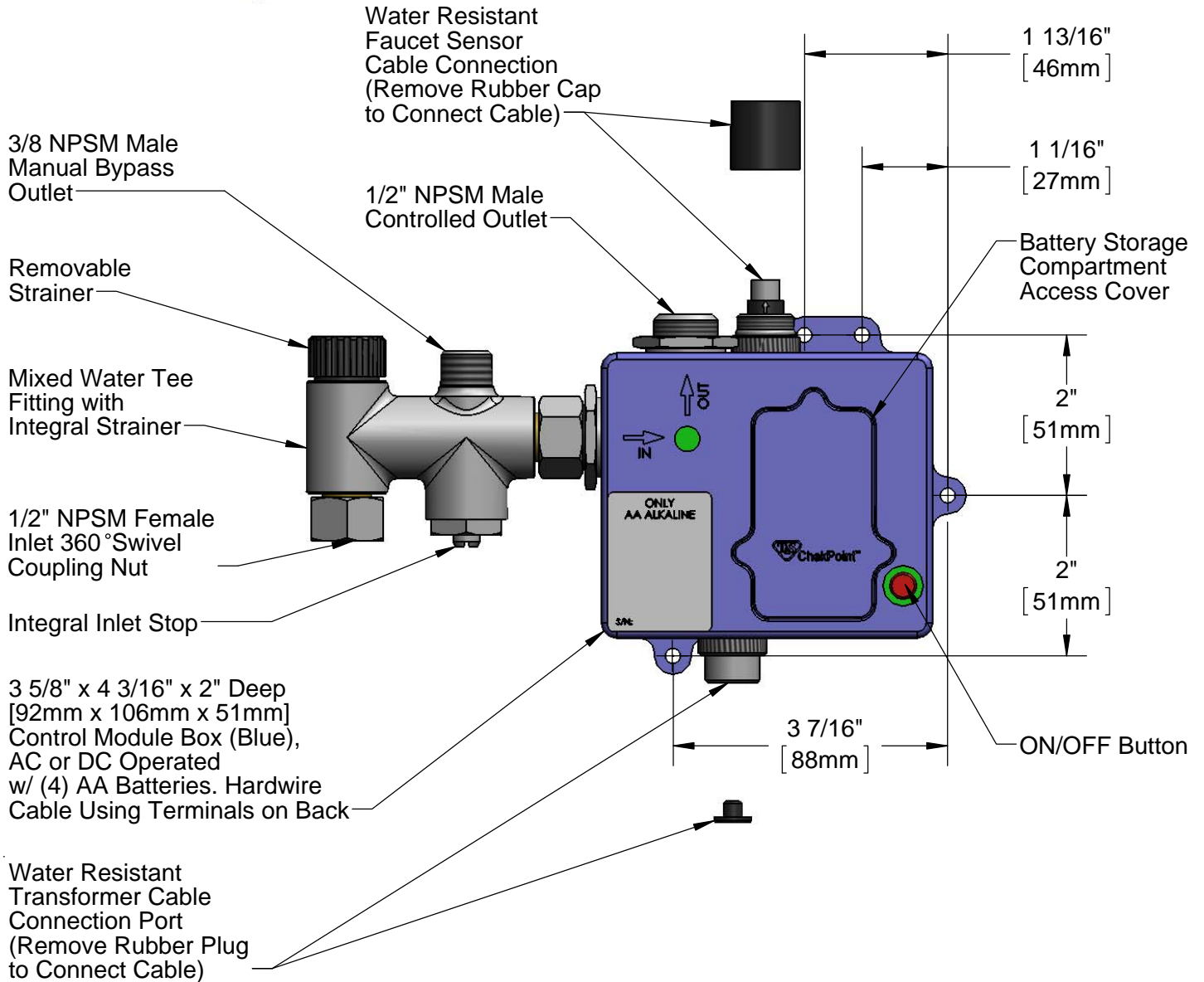
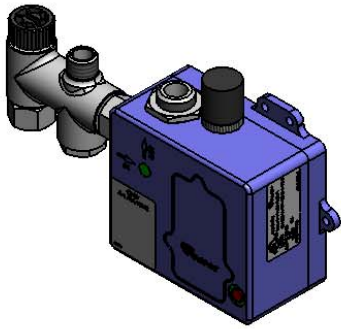
Job Name \_\_\_\_\_ Date \_\_\_\_\_

Model Specified \_\_\_\_\_ Quantity \_\_\_\_\_

Customer/Wholesaler \_\_\_\_\_

Contractor \_\_\_\_\_

Architect/Engineer \_\_\_\_\_



Product Specifications:  
 ChekPoint Sensor Faucet Control Module with Internal Flow Control Setting Switches & Manual Bypass Tee (Blue Module Housing)

Product Compliance:  
 UL 1951

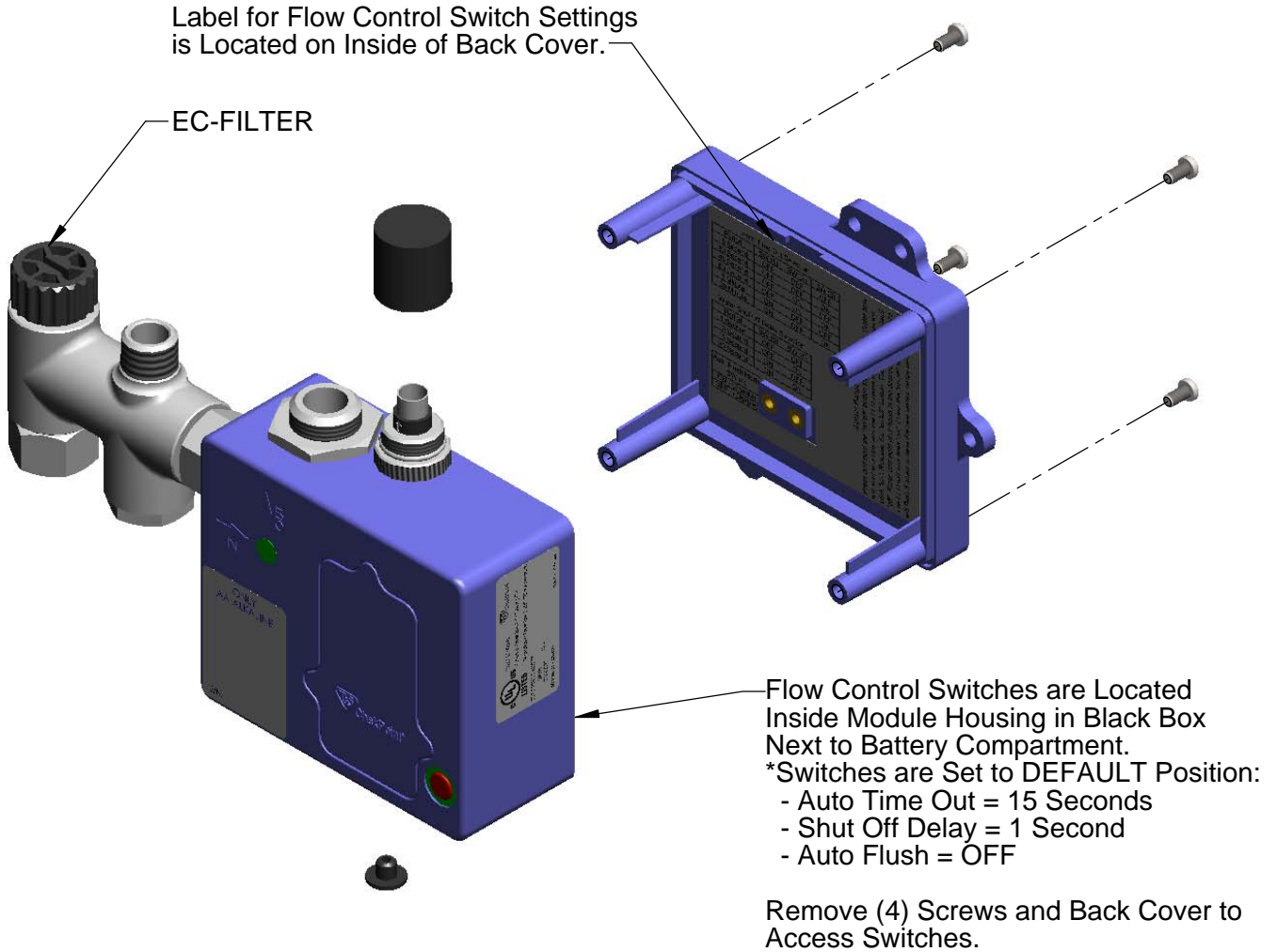


**T&S BRASS AND BRONZE WORKS, INC.**  
 2 Saddleback Cove / P.O. Box 1088  
 Travelers Rest, SC 29690

Model No.  
**017493-45**

Item No.

Travelers Rest, SC: 800-476-4103 • Simi Valley, CA: 800-423-0150 • Fax: 864-834-3518 • www.tsbrass.com



- \*Available Water Flow Control Selections:
- Auto Time Out: 15 sec, 30 sec, 45 sec, 60 sec, 3 min, 20 min
  - Shut Off Delay: 1 sec, 10 sec, 15 sec, 30 sec
  - Auto Flush (30 Seconds After Every 12 Inactive Hours): ON or OFF

Product Specifications:  
 ChekPoint Sensor Faucet Control Module with Internal Flow Control Setting Switches & Manual Bypass Tee (Blue Module Housing)

Product Compliance:  
 UL 1951