



**T&S BRASS AND BRONZE WORKS, INC.**  
 2 Saddleback Cove / P.O. Box 1088  
 Travelers Rest, SC 29690

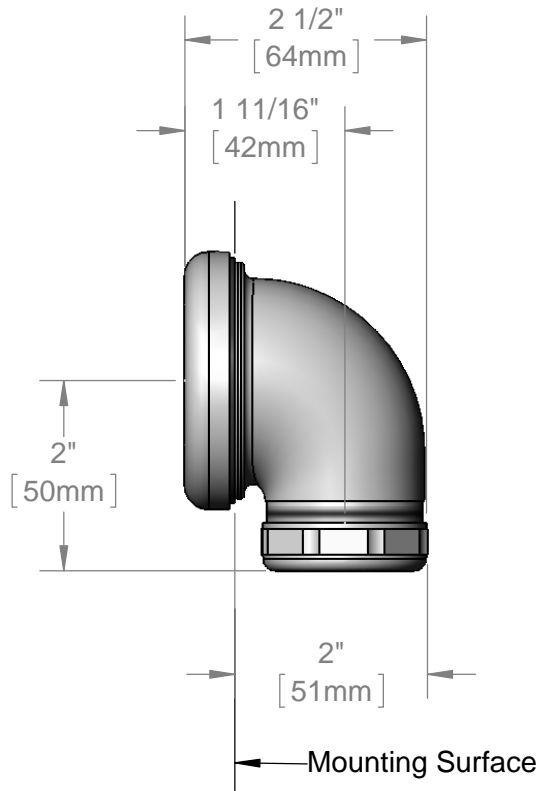
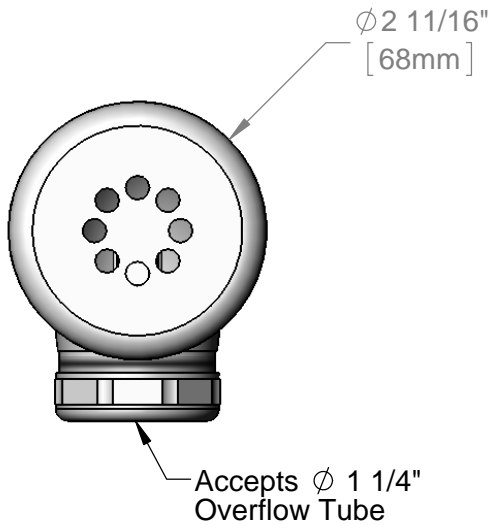
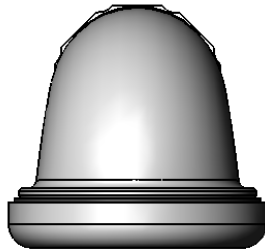
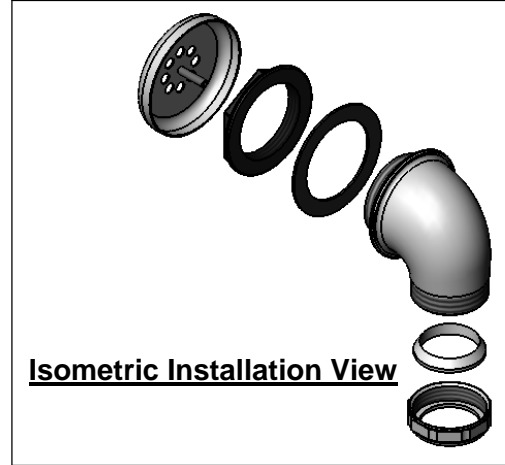
Model No.  
**011356-45**

Item No.

Travelers Rest, SC: 800-476-4103 • Simi Valley, CA: 800-423-0150 • Fax: 864-834-3518 • www.tsbrass.com

This Space for Architect/Engineer Approval

Job Name \_\_\_\_\_ Date \_\_\_\_\_  
 Model Specified \_\_\_\_\_ Quantity \_\_\_\_\_  
 Customer/Wholesaler \_\_\_\_\_  
 Contractor \_\_\_\_\_  
 Architect/Engineer \_\_\_\_\_



Rough-In Requirement:  
 $\phi 2''$  [51mm] Mounting Hole

Product Specifications:  
 Waste Drain Overflow Head

Drawn <b>DHL</b>	Checked <b>JRM</b>	Approved <b>JHB</b>
Scale: <b>1:2</b>		Date: <b>11/25/13</b>