



T&S BRASS AND BRONZE WORKS, INC.

2 Saddleback Cove / P.O. Box 1088
Travelers Rest, SC 29690

Model No.

002832-40

Item No.

Travelers Rest, SC: 800-476-4103 • Simi Valley, CA: 800-423-0150 • Fax: 864-834-3518 • www.tsbrass.com

This Space for Architect/Engineer Approval

Job Name _____ Date _____

Model Specified _____ Quantity _____

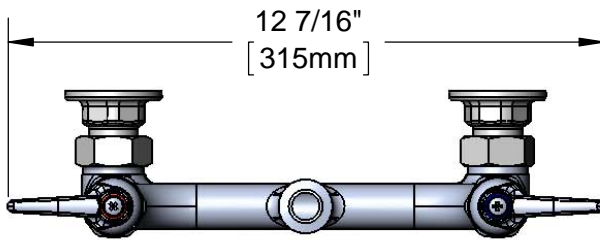
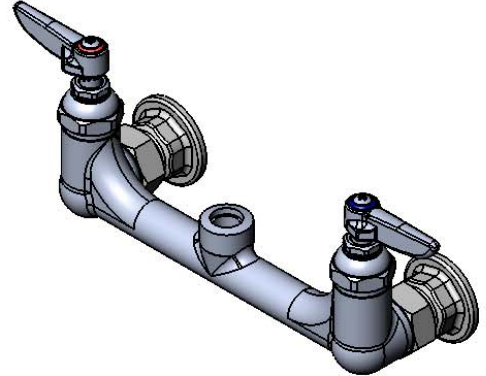
Customer/Wholesaler _____

Contractor _____

Architect/Engineer _____

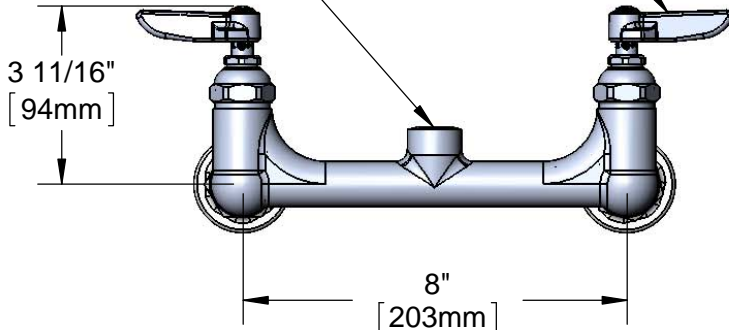


ADA Compliant



Eterna Cartridges
w/ Spring Checks
& Lever Handles
w/ Color Coded
Indexes

3/8" NPT
Female Outlet



3 11/16"
[94mm]

8"
[203mm]

Adjustable from
7 3/4" to 8 1/4"
[197mm to 210mm]

2 3/8"
[61mm]



Ø 2" [51mm]
Flanges w/
1/2" NPT
Female Inlets

Mounting
Surface

Note: Rigid Base May Be Converted to Swivel by
Specifying a B-0412 Rigid to Swivel Adapter

Product Specifications:

8" Rigid Wall Mount Base Mixing Faucet, Eterna Cartridges
w/ Spring Checks, Lever Handles & 1/2" NPT Female Inlets

Drawn

DHL

Checked

DMH

Approved

JHB

Scale:

1:4

Date:

03/18/13



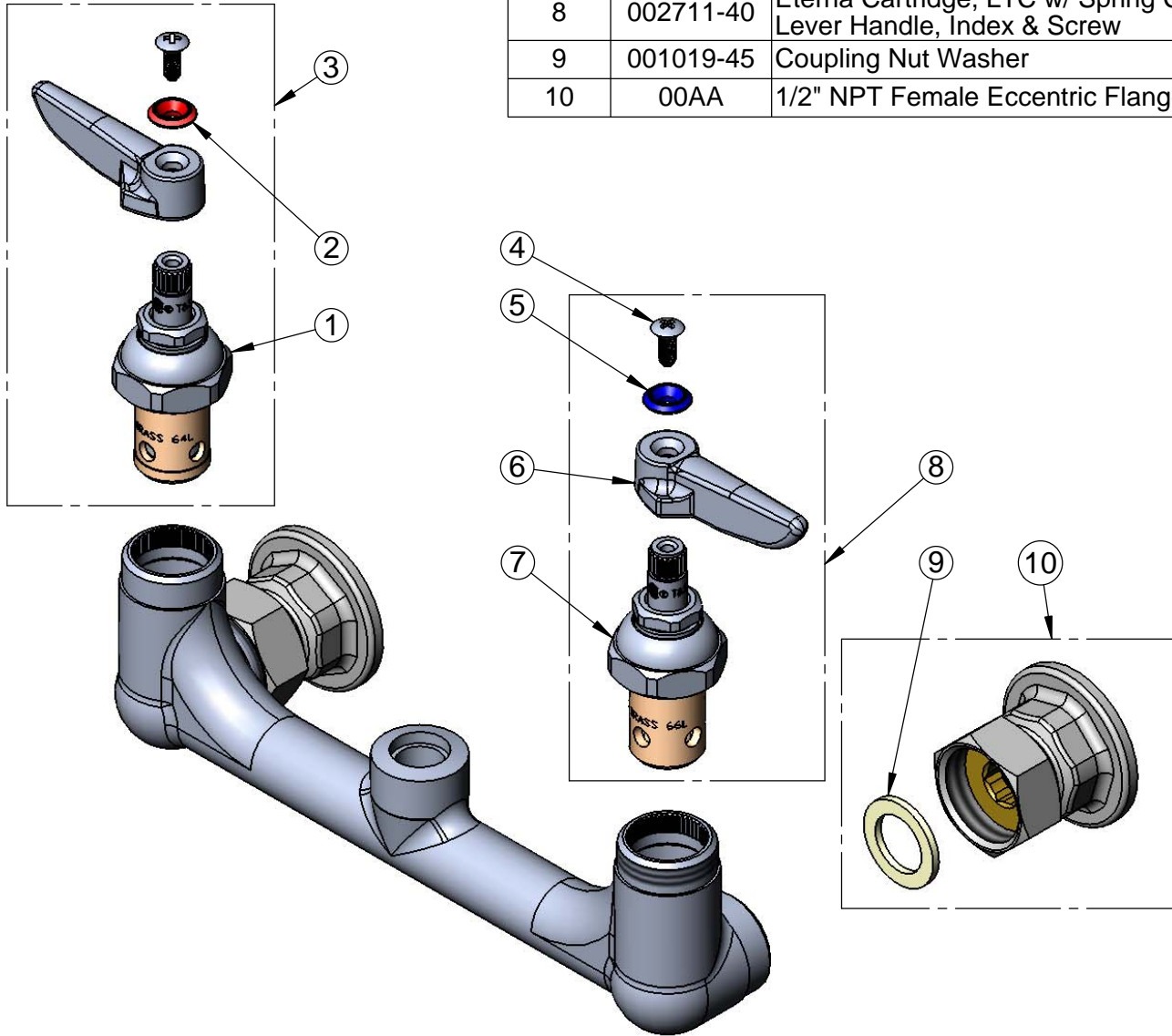
T&S BRASS AND BRONZE WORKS, INC.
 2 Saddleback Cove / P.O. Box 1088
 Travelers Rest, SC 29690

Model No.
002832-40

Item No.

Travelers Rest, SC: 800-476-4103 • Simi Valley, CA: 800-423-0150 • Fax: 864-834-3518 • www.tsbrass.com

ITEM NO.	SALES NO.	DESCRIPTION
1	012443-40	Eterna Cartridge, RTC w/ Spring Check
2	001661-45	Red Index-HW
3	002712-40	Eterna Cartridge, RTC w/ Spring Check, Lever Handle, Index & Screw
4	000922-45	Lever Handle Screw
5	001660-45	Blue Index-CW
6	001638-45	Lever Handle
7	012442-40	Eterna Cartridge, LTC w/ Spring Check
8	002711-40	Eterna Cartridge, LTC w/ Spring Check, Lever Handle, Index & Screw
9	001019-45	Coupling Nut Washer
10	00AA	1/2" NPT Female Eccentric Flange



Product Specifications:
 8" Rigid Wall Mount Base Mixing Faucet, Eterna Cartridges
 w/ Spring Checks, Lever Handles & 1/2" NPT Female Inlets

Drawn DHL	Checked DMH	Approved JHB
---------------------	-----------------------	------------------------

Scale: NTS	Date: 03/18/13
----------------------	--------------------------