



T&S BRASS AND BRONZE WORKS, INC.

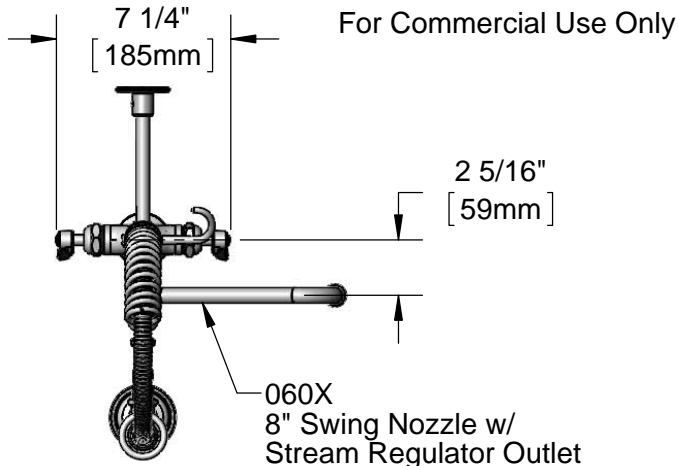
2 Saddleback Cove / P.O. Box 1088
Travelers Rest, SC 29690

Model No.

MPZ-2DLV-08-CR

Item No.

Travelers Rest, SC: 800-476-4103 • Simi Valley, CA: 800-423-0150 • Fax: 864-834-3518 • www.tsbrass.com



This Space for Architect/Engineer Approval

Job Name _____ Date _____

Model Specified _____ Quantity _____

Customer/Wholesaler _____

Contractor _____

Architect/Engineer _____

24" Flexible Stainless
Steel Hose w/ Spring
& Spray Valve

B-0107
1.42 GPM
Spray Valve

Items Not Shown
For Clarity

B-0970-FEZ
Vacuum Breaker

B-0109-01
6" Wall
Bracket

Finger Hook

3/8" NPT x 5 3/16"
Riser

Add-On Faucet w/
Quarter-Turn Cerama
Cartridge & Lever Handle

Mounting
Surface

1 3/8"
[35mm]
Maximum
Thickness

Ø 2 1/4"
[57mm]

Quarter-Turn Cerama
Cartridges w/ Check
Valves & Lever Handles
w/ Color Coded Indexes

18" Flexible Stainless
Steel Supply Hoses

Compression Fittings
for 5/8" Copper Tubing
(Remove Compression
Nut for 1/2" NPSM Male)

Rough-In Requirement:
Ø 1 1/2" [38mm] Mounting Hole

Product Specifications:

Pre-Rinse Unit: EasyInstall Single Hole Deck Mount Mixing Faucet, Quarter-Turn Cerama Cartridges w/ Check Valves, Lever Handles, Add-On Faucet w/ 8" Swing Nozzle, Vacuum Breaker, Compact Spring, 24" Flexible Stainless Steel Hose, 1.42 GPM Spray Valve, 6" Wall Bracket & 18" Flexible Supply Hoses

Product Compliance:

ASME A112.18.1 / CSA B125.1
NSF 61 - Section 9
NSF 372 (Low Lead Content)
EPA Act 2005 (PRSV)
CSA B64.8 (VB)



T&S BRASS AND BRONZE WORKS, INC.

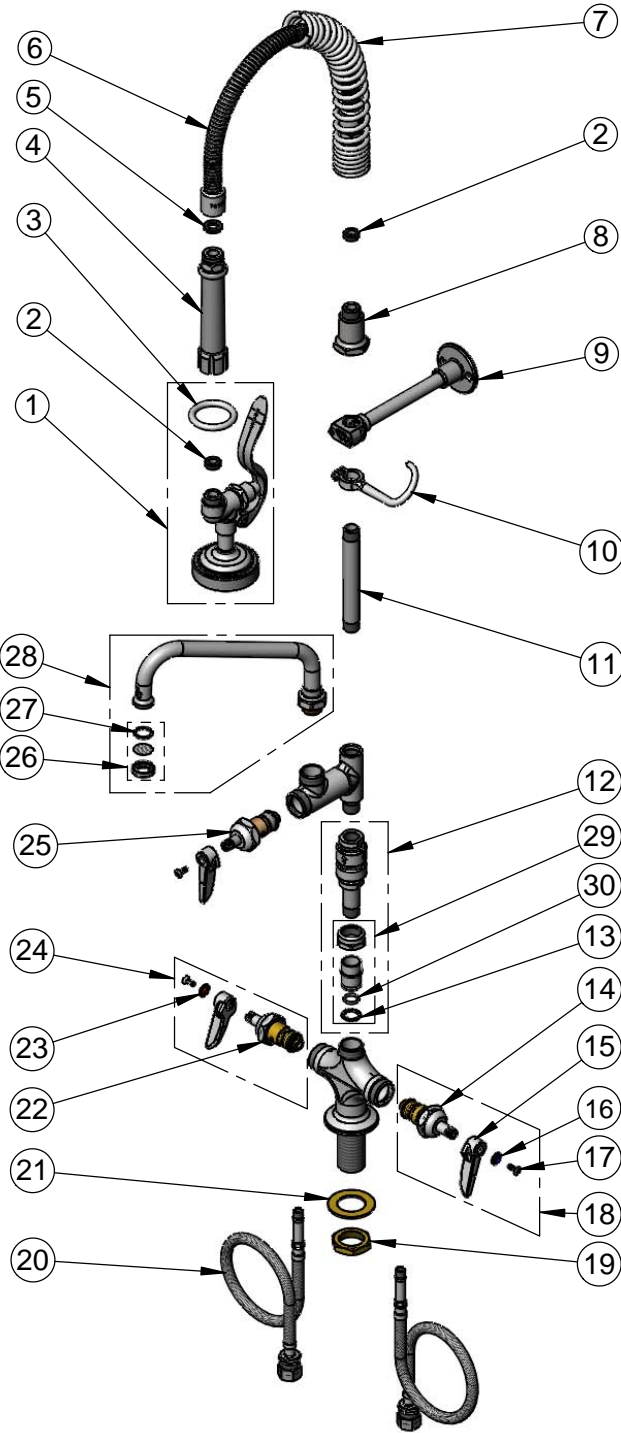
2 Saddleback Cove / P.O. Box 1088
Travelers Rest, SC 29690

Model No.

MPZ-2DLV-08-CR

Item No.

Travelers Rest, SC: 800-476-4103 • Simi Valley, CA: 800-423-0150 • Fax: 864-834-3518 • www.tsbrass.com



ITEM NO.	SALES NO.	DESCRIPTION
1	B-0107	1.24 GPM Spray Valve
2	010476-45	#27 Washer
3	000907-45	Spray Valve Hold Down Ring
4	002987-40	Grip Handle
5	001014-45	Washer, B-0100 Hose Barrel
6	B-0024-H2A	24" Flexible Stainless Steel Hose, Less Handle
7	016795-45	Compact Spring
8	000821-40	Spring Body
9	B-0109-01	6" Wall Bracket
10	004R	Finger Hook
11	001617-40	3/8" NPT x 5-3/16" Riser
12	B-0970-FEZ	EasyInstall Vacuum Breaker
13	014200-45	Star Washer, Anti-Rotation
14	012395-25	Quarter-Turn Cerama Cartridge, LTC w/ Check Valve
15	001638-45	Lever Handle
16	001660-45	Blue Index - CW
17	000922-45	Lever Handle Screw
18	012447-25	Quarter-Turn Cerama Cartridge, LTC w/ Check Valve, Handle, Index & Screw
19	000965-45	Lock Nut
20	012534-45	18" Flexible Supply Hose (2)
21	002290-45	Lock Washer
22	012394-25	Quarter-Turn Cerama Cartridge, RTC w/ Check Valve
23	001661-45	Red Index - HW
24	012446-25	Quarter-Turn Cerama Cartridge, RTC w/ Check Valve, Handle, Index & Screw
25	011278-25	Quarter-Turn Cerama Cartridge, RTC
26	B-PT	Stream Regulator Outlet
27	001048-45	Nozzle Tip Washer
28	060X	8" Swing Nozzle
29	EZ-K	EasyInstall Kit: Nut, Bushing, O-Ring & Lock Washer
30	001065-45	O-Ring

Product Specifications:

Pre-Rinse Unit: EasyInstall Single Hole Deck Mount Mixing Faucet, Quarter-Turn Cerama Cartridges w/ Check Valves, Lever Handles, Add-On Faucet w/ 8" Swing Nozzle, Vacuum Breaker, Compact Spring, 24" Flexible Stainless Steel Hose, 1.42 GPM Spray Valve, 6" Wall Bracket & 18" Flexible Supply Hoses

Product Compliance:

ASME A112.18.1 / CSA B125.1
NSF 61 - Section 9
NSF 372 (Low Lead Content)
EPA Act 2005 (PRSV)
CSA B64.8 (VB)