



T&S BRASS AND BRONZE WORKS, INC.

2 Saddleback Cove / P.O. Box 1088
Travelers Rest, SC 29690

Model No.

MPZ-2DCN-08

Item No.

Travelers Rest, SC: 800-476-4103 • Simi Valley, CA: 800-423-0150 • Fax: 864-834-3518 • www.tsbrass.com

For Commercial Use Only

This Space for Architect/Engineer Approval

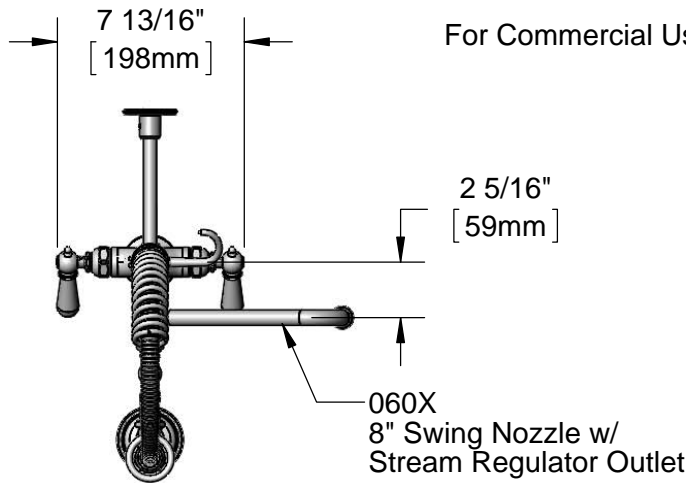
Job Name _____ Date _____

Model Specified _____ Quantity _____

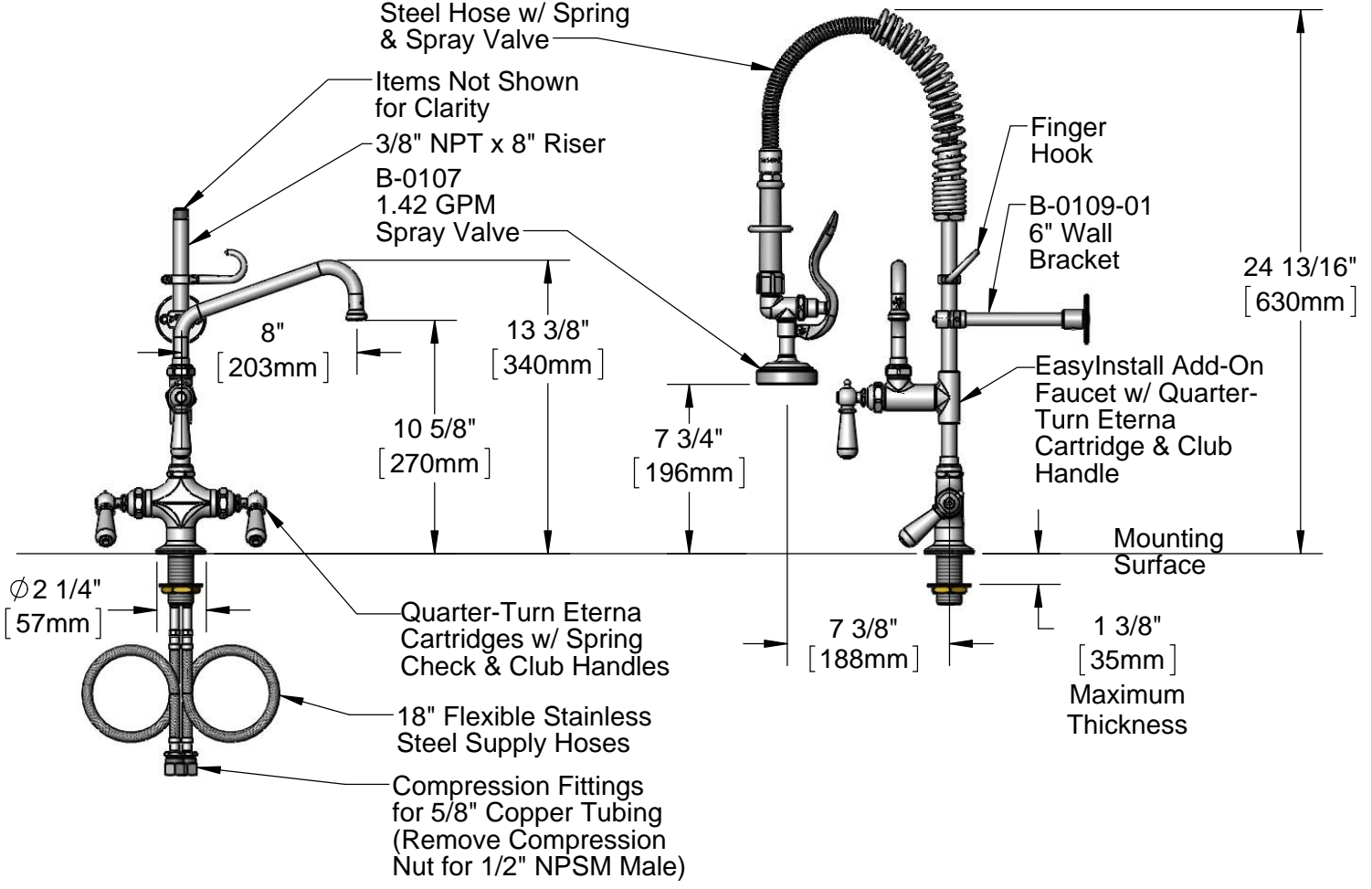
Customer/Wholesaler _____

Contractor _____

Architect/Engineer _____



060X
8" Swing Nozzle w/
Stream Regulator Outlet
24" Flexible Stainless
Steel Hose w/ Spring
& Spray Valve



Items Not Shown
for Clarity
3/8" NPT x 8" Riser
B-0107
1.42 GPM
Spray Valve
8" [203mm]
13 3/8" [340mm]
10 5/8" [270mm]
7 3/4" [196mm]
7 3/8" [188mm]
1 3/8" [35mm]
Maximum
Thickness
Quarter-Turn Eterna
Cartridges w/ Spring
Check & Club Handles
18" Flexible Stainless
Steel Supply Hoses
Compression Fittings
for 5/8" Copper Tubing
(Remove Compression
Nut for 1/2" NPSM Male)

Finger
Hook
B-0109-01
6" Wall
Bracket
EasyInstall Add-On
Faucet w/ Quarter-
Turn Eterna
Cartridge & Club
Handle
Mounting
Surface

Rough-In Requirement:
Ø 1 1/2" [Ø 38mm] Mounting Hole

Product Specifications:
Pre-Rinse Unit: EasyInstall Single Hole Deck Mount Mixing Faucet, Quarter-Turn Eterna Cartridges w/ Spring Checks, Club Handles, Add-On Faucet w/ 8" Swing Nozzle, Compact Spring, 24" Flexible Stainless Steel Hose, 1.42 GPM Spray Valve, 6" Wall Bracket & (2) Flexible Supply Hoses

Product Compliance:
ASME A112.18.1 / CSA B125.1
NSF 61 - Section 9
NSF 372 (Low Lead Content)
EPA 2005 (PRSV)



T&S BRASS AND BRONZE WORKS, INC.

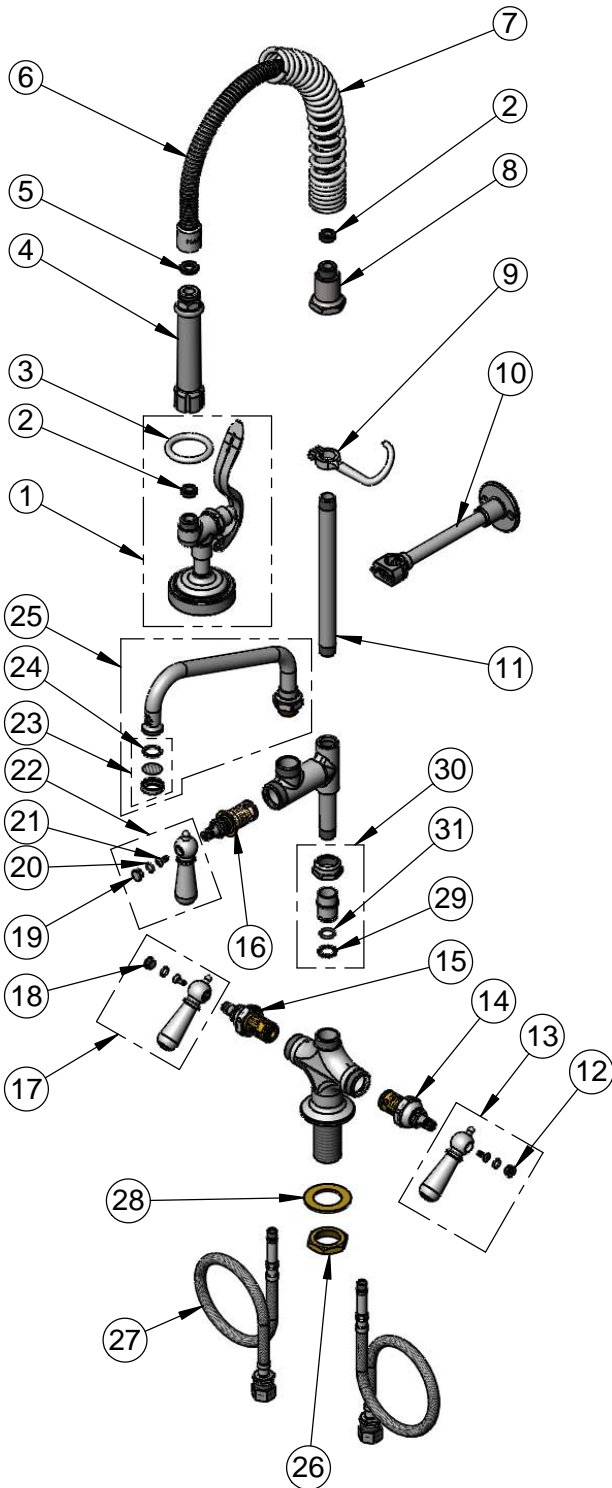
2 Saddleback Cove / P.O. Box 1088
Travelers Rest, SC 29690

Model No.

MPZ-2DCN-08

Item No.

Travelers Rest, SC: 800-476-4103 • Simi Valley, CA: 800-423-0150 • Fax: 864-834-3518 • www.tsbrass.com



ITEM NO.	SALES NO.	DESCRIPTION
1	B-0107	1.42 GPM Spray Valve
2	010476-45	#27 Washer
3	000907-45	Spray Valve Hold Down Ring
4	002987-40	Grip Handle
5	001014-45	Washer, B-0100 Hose Barrel
6	B-0024-H2A	24" Flexible Stainless Steel Hose, Less Handle
7	016795-45	Compact Spring
8	000821-40	Spring Body
9	004R	Finger Hook
10	B-0109-01	6" Wall Bracket
11	078X	3/8" NPT x 8" Riser
12	009304-41	Decorative Cap Insert, Cold
13	009331-41	Decorative Handle, Cold
14	012442-40	Quarter-Turn Eterna Cartridge, LTC w/ Spring Check
15	012443-40	Quarter-Turn Eterna Cartridge, RTC w/ Spring Check
16	005960-40QT	Quarter-Turn Eterna Cartridge, RTC
17	009332-41	Decorative Handle, Hot
18	009303-41	Decorative Cap Insert, Hot
19	009285-40	Cap Insert, Blank
20	001066-45	O-Ring
21	000922-45	Lever Handle Screw
22	017181-41	Decorative Handle, Blank
23	B-PT	Stream Regulator Outlet
24	001048-45	Nozzle Tip Washer
25	060X	8" Swing Nozzle
26	000965-45	Lock Nut
27	012436-45	Flexible Connector Hose
28	002290-45	Lock Washer
29	014200-45	Star Washer, Anti-Rotation
30	EZ-K	EasyInstall Kit: Nut, Bushing, O-Ring & Lock Washer
31	001065-45	O-Ring

Product Specifications:

Pre-Rinse Unit: EasyInstall Single Hole Deck Mount Mixing Faucet, Quarter-Turn Eterna Cartridges w/ Spring Checks, Club Handles, Add-On Faucet w/ 8" Swing Nozzle, Compact Spring, 24" Flexible Stainless Steel Hose, 1.42 GPM Spray Valve, 6" Wall Bracket & (2) Flexible Supply Hoses

Product Compliance:

ASME A112.18.1 / CSA B125.1
NSF 61 - Section 9
NSF 372 (Low Lead Content)
EPA Act 2005 (PRSV)