



T&S BRASS AND BRONZE WORKS, INC.
 2 Saddleback Cove / P.O. Box 1088
 Travelers Rest, SC 29690

Model No.
MPY-2DLN-06

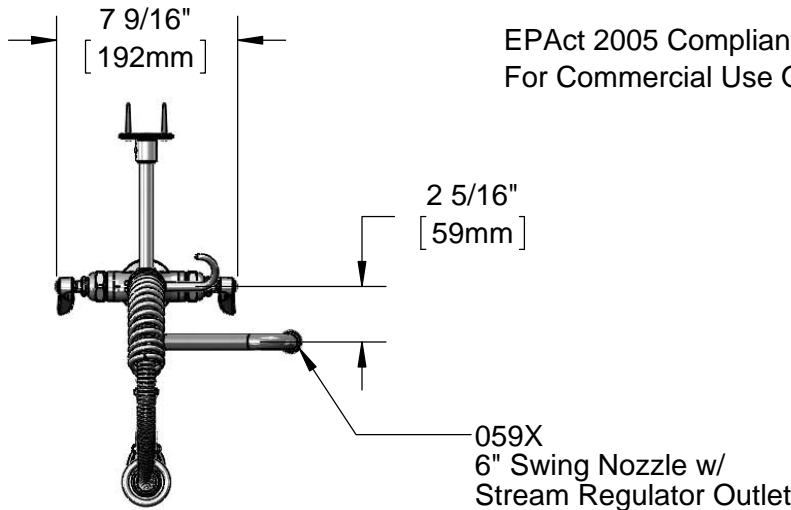
Item No.

Travelers Rest, SC: 800-476-4103 • Simi Valley, CA: 800-423-0150 • Fax: 864-834-3518 • www.tsbrass.com

EPAct 2005 Compliant
 For Commercial Use Only

This Space for Architect/Engineer Approval

Job Name _____ Date _____
 Model Specified _____ Quantity _____
 Customer/Wholesaler _____
 Contractor _____
 Architect/Engineer _____



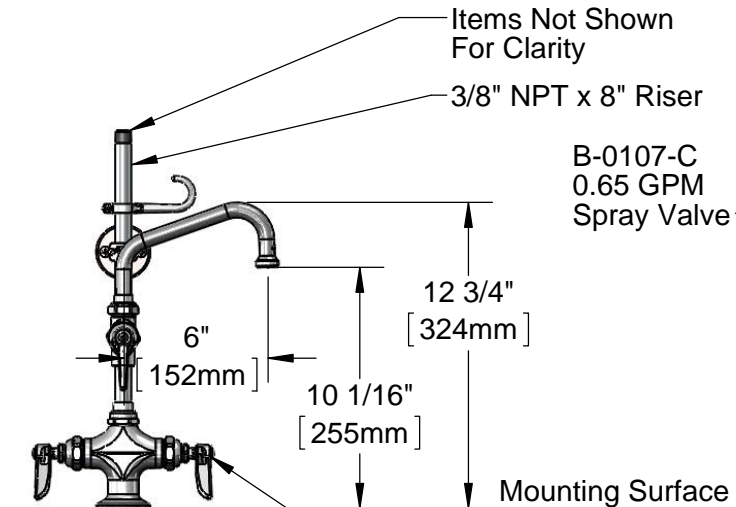
059X
 6" Swing Nozzle w/
 Stream Regulator Outlet

24" Flexible Stainless
 Steel Hose w/ Spring
 & Spray Valve

Items Not Shown
 For Clarity

3/8" NPT x 8" Riser

B-0107-C
 0.65 GPM
 Spray Valve

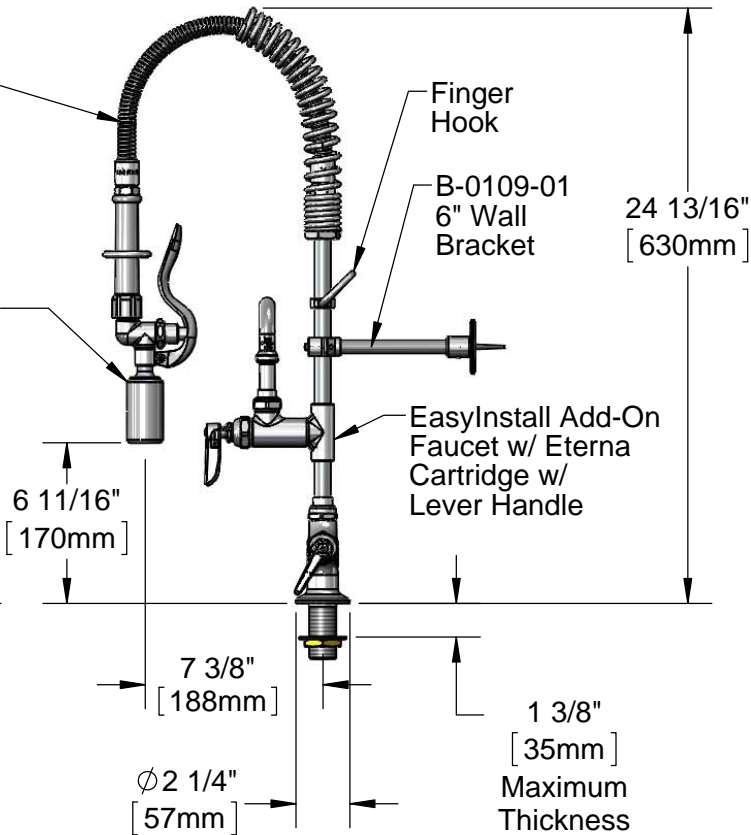


Eterna Cartridges w/
 Spring Checks &
 Lever Handles w/
 Color Coded Indexes

18" Long Flexible
 Stainless Steel
 Supply Hoses

Compression Fittings
 for 5/8" O.D. Copper Tubing
 (Remove Compression
 Nut & Ferrule for 1/2" NPSM Male)

Rough-In Requirement:
 ϕ 1 1/2" [ϕ 38mm] Mounting Hole



Finger
 Hook

B-0109-01
 6" Wall
 Bracket

EasyInstall Add-On
 Faucet w/ Eterna
 Cartridge w/
 Lever Handle

Product Specifications:
 Easy Install Pre-Rinse Unit:
 Single Hole Deck Mount Mixing Faucet, Eterna Cartridges w/ Spring
 Checks, Lever Handles, Add-On Faucet w/ 6" Swing Nozzle, Compact
 Spring, 24" Flexible Stainless Steel Hose, 0.65 GPM Spray Valve,
 6" Wall Bracket & Flexible Supply Hoses

Drawn KJG	Checked DMH	Approved JHB
Scale: 1:8		Date: 10/03/13



T&S BRASS AND BRONZE WORKS, INC.

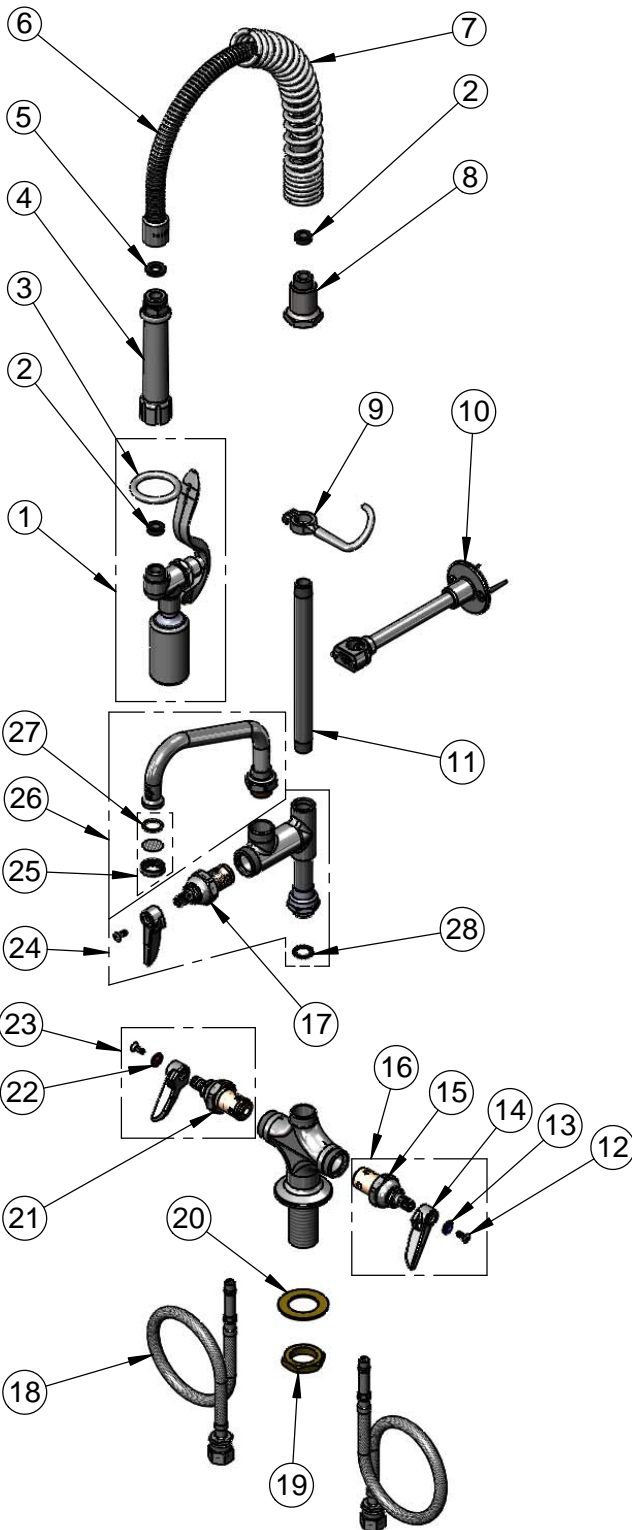
2 Saddleback Cove / P.O. Box 1088
Travelers Rest, SC 29690

Model No.

MPY-2DLN-06

Item No.

Travelers Rest, SC: 800-476-4103 • Simi Valley, CA: 800-423-0150 • Fax: 864-834-3518 • www.tsbrass.com



ITEM NO.	SALES NO.	DESCRIPTION
1	B-0107-C	0.65 GPM Spray Valve
2	010476-45	#27 Washer
3	000907-45	Spray Valve Hold Down Ring
4	002987-40	Grip Handle
5	001014-45	Washer, B-0100 Hose Barrel
6	B-0024-H2A	24" Flexible Stainless Steel Hose, Less Handle
7	016795-45	Compact Spring
8	000821-40	Spring Body
9	004R	Finger Hook
10	B-0109-01	6" Wall Bracket
11	078X	3/8" NPT x 8" Riser
12	000922-45	Lever Handle Screw
13	001660-45	Blue Index-CW
14	001638-45	Lever Handle
15	012442-40	Eterna Cartridge, LTC w/ Spring Check
16	002711-40	Eterna Cartridge, LTC w/ Spring Check, Handle, Index & Screw
17	005960-40QT	1/4 Turn Eterna Cartridge, RTC
18	012534-45	Flexible Connector Hose
19	000965-45	Lock Nut
20	002290-45	Lock Washer
21	012443-40	Eterna Cartridge, RTC w/ Spring Check
22	001661-45	Red Index-HW
23	002712-40	Eterna Cartridge, RTC w/ Spring Check, Handle, Index & Screw
24	B-0155-LNEZ	EasyInstall Add-On Faucet, Less Nozzle
25	B-PT	Stream Regulator Outlet
26	059X	6" Swing Nozzle
27	001048-45	Nozzle Tip Washer
28	014200-45	Star Washer, Anti-Rotation

Product Specifications:

Easy Install Pre-Rinse Unit:
Single Hole Deck Mount Mixing Faucet, Eterna Cartridges w/ Spring Checks, Lever Handles, Add-On Faucet w/ 6" Swing Nozzle, Compact Spring, 24" Flexible Stainless Steel Hose, 0.65 GPM Spray Valve, 6" Wall Bracket & Flexible Supply Hoses

Drawn

KJG

Checked

DMH

Approved

JHB

Scale:

NTS

Date:

10/03/13