



T&S BRASS AND BRONZE WORKS, INC.
 2 Saddleback Cove / P.O. Box 1088
 Travelers Rest, SC 29690

Model No.

EX-ABLUTION

Item No.

Travelers Rest, SC: 800-476-4103 • Simi Valley, CA: 800-423-0150 • Fax: 864-834-3518 • www.tsbrass.com

This Space for Architect/Engineer Approval

Job Name _____ Date _____

Model Specified _____ Quantity _____

Customer/Wholesaler _____

Contractor _____

Architect/Engineer _____



Product Specifications:

Wall Mounted Chrome Plated Solid Brass Hand Spray w/ 56" Chrome Plated 1/2" Stainless Steel Flex Hose, Supply Valve w/ Ceramic Cartridge & Lever Handle w/ Blue & Red Indexes

Drawn

JRM

Checked

KJG

Approved

JHB

Scale:

1:4

Date:

11/20/12



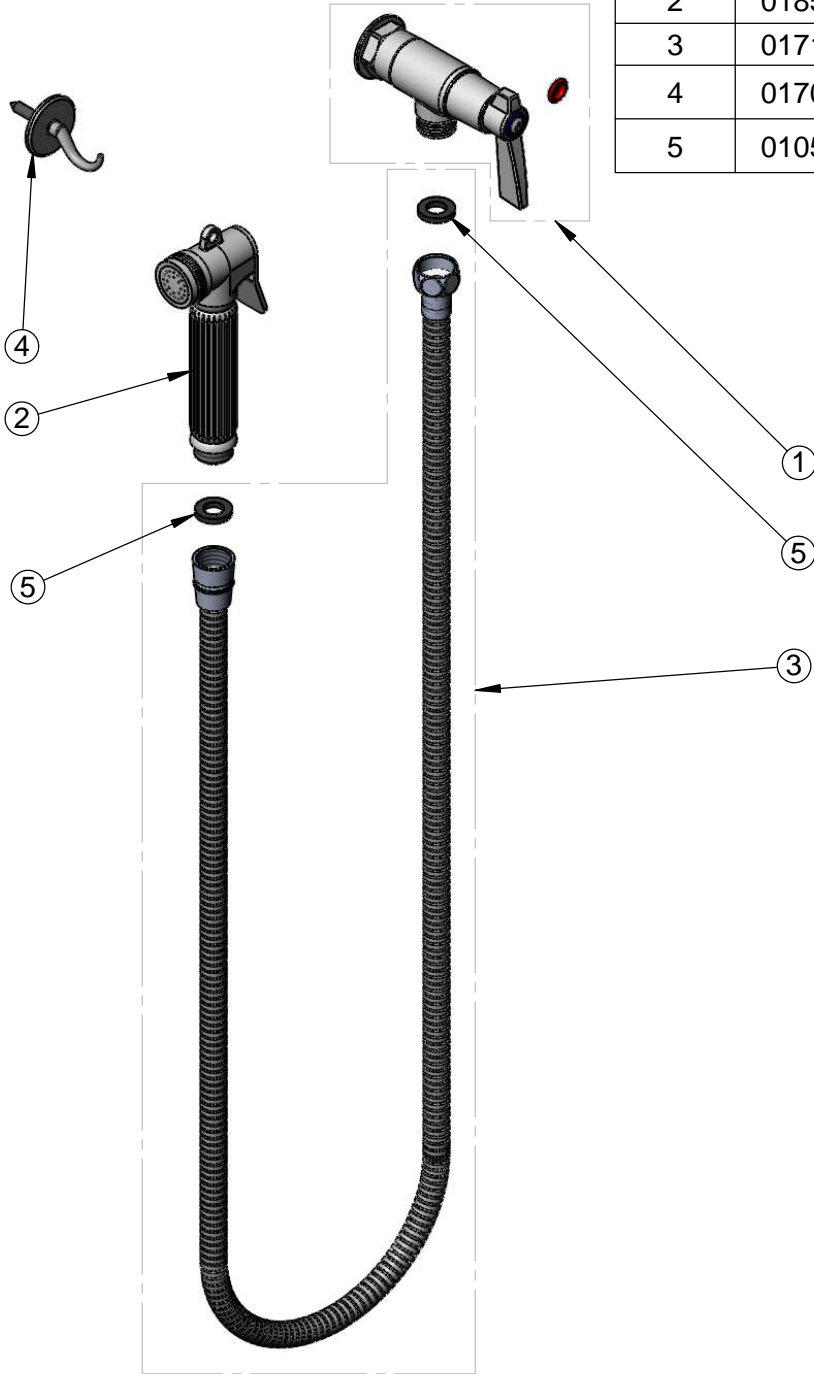
T&S BRASS AND BRONZE WORKS, INC.
 2 Saddleback Cove / P.O. Box 1088
 Travelers Rest, SC 29690

Model No.
EX-ABLUTION

Item No.

Travelers Rest, SC: 800-476-4103 • Simi Valley, CA: 800-423-0150 • Fax: 864-834-3518 • www.tsbrass.com

ITEM NO.	SALES NO.	DESCRIPTION
1	018549-45	Supply Valve w/ Ceramic Cartridge & Lever Handle w/ Blue & Red Indexes
2	018548-45	Chrome Plated Brass Hand Spray
3	017136-45	56" SS Flex Hose
4	017043-45	Chrome Plated Zinc Wall Hook w/ Wood Screw
5	010563-45	Flat Seal Washer



Product Specifications:
 Wall Mounted Chrome Plated Solid Brass Hand Spray
 w/ 56" Chrome Plated 1/2" Stainless Steel Flex Hose,
 Supply Valve w/ Ceramic Cartridge &
 Lever Handle w/ Blue & Red Indexes

Drawn JRM	Checked KJG	Approved JHB
Scale: NTS		Date: 11/20/12