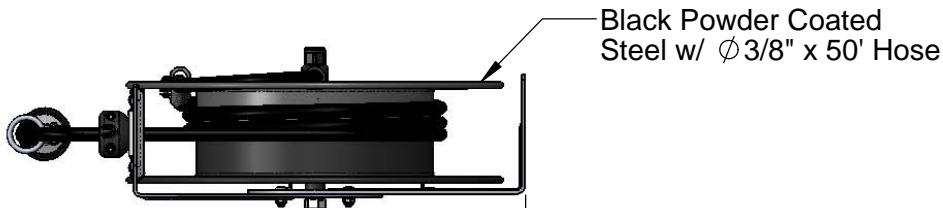
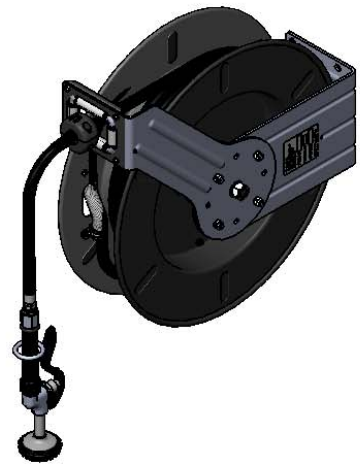


This Space for Architect/Engineer Approval

Job Name _____ Date _____
 Model Specified _____ Quantity _____
 Customer/Wholesaler _____
 Contractor _____
 Architect/Engineer _____



Black Powder Coated Steel w/ ϕ 3/8" x 50' Hose

10 15/16" [278mm]

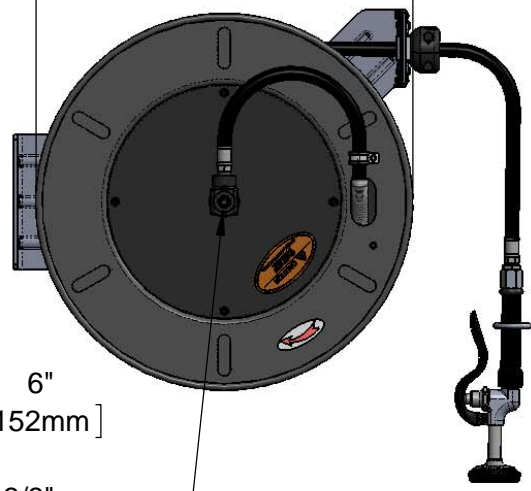
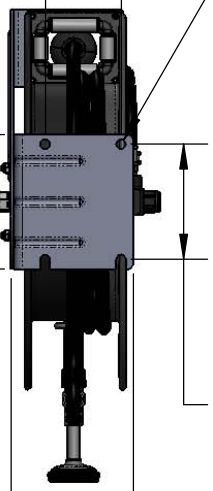
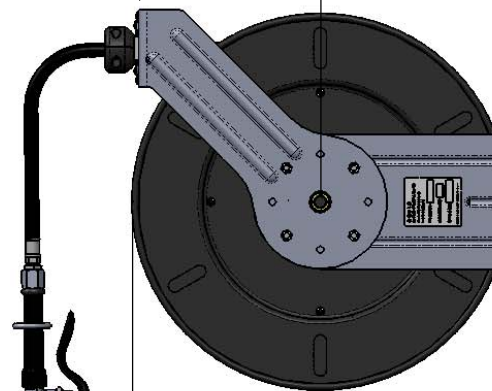
3 15/16" [100mm]

9 7/16" [240mm]

7" [178mm]

ϕ 1/2" [13mm]
Mounting Holes & Slots

ϕ 19 5/8" [498mm]




20 3/4" [527mm]

6" [152mm]

6 3/8" [162mm]

5SV-WH High Flow Spray Valve

Stainless Steel Shaft & Brass Swivel w/ 3/8" NPT Female Inlet (Left Side of Reel)


 019129-25
 Reducing Adapter
 3/8" NPT Male x 1/2" NPT Female (Included)

Model Number
5HR-242-01-A

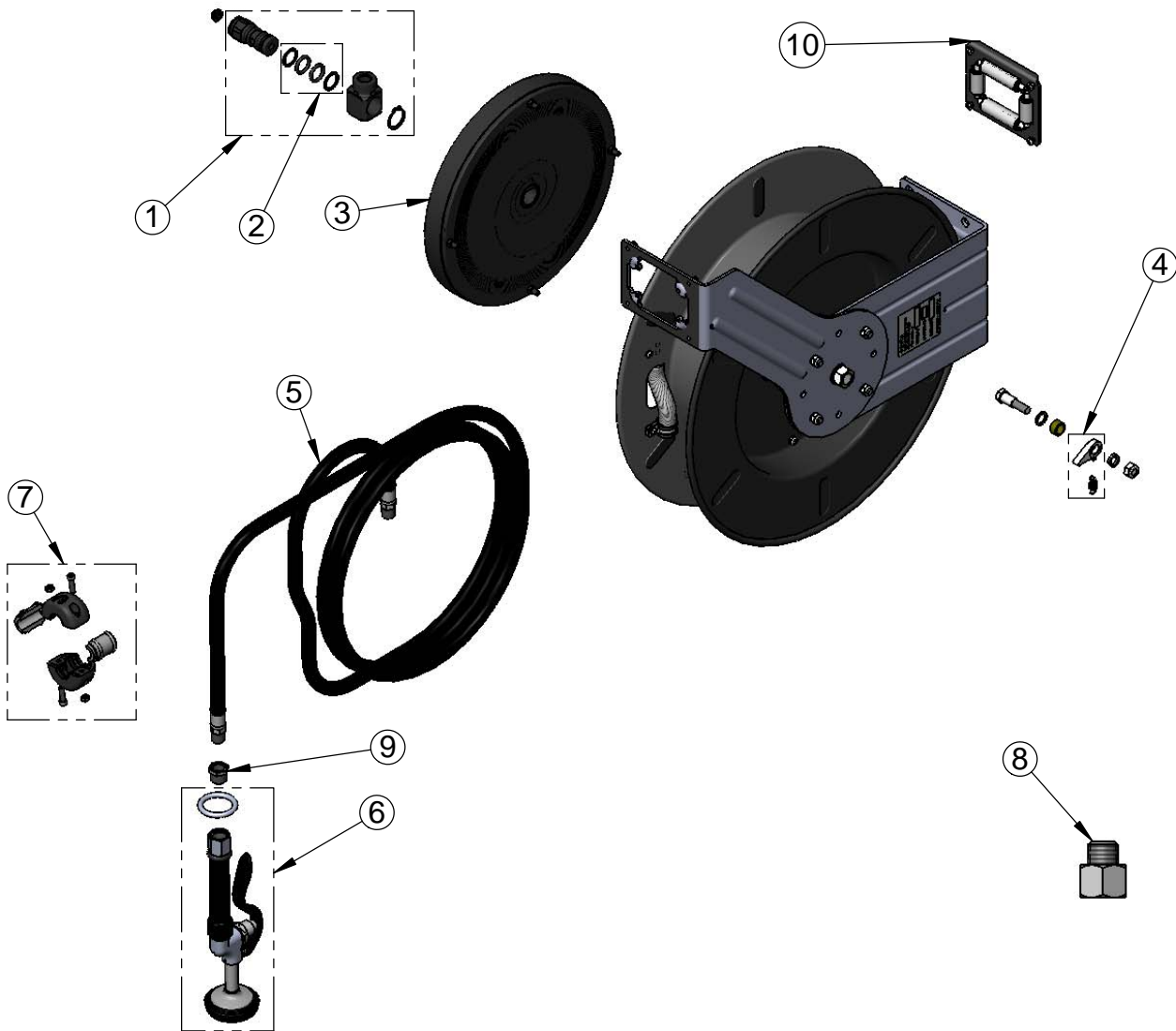
Product Specifications:
 Black Powder Coated Steel, Open Hose Reel w/ ϕ 3/8" x 50' Hose, Reducing Adapter & High Flow Spray Valve

Product Compliance:
 EPAAct 2005 Non-Compliant (PRSV)
 NSF 61 Exempt (Non-Potable)

equip Foodservice Accessories  by 

2 Saddleback Cove, P.O. Box 1088
 Travelers Rest, South Carolina 29690
 Phone: 800.891.4808 Fax: 800.868.0084
 equip.tsbrass.com

ITEM NO.	SALES NO.	DESCRIPTION
1	5HR-2SA	Complete 3/8" Swivel
2	014948-45	Seal Kit
3	G016684-45	Spring
4	014940-45	Ratchet Repair Kit
5	5HR-2HSE-50	Ø 3/8" x 50' Hose
6	5SV-WH	Hose Reel Spray Valve
7	019246-45	Hose Stop Repair Kit
8	019129-25	Reducing Adapter, 3/8" NPT x 1/2" NPT Female
9	001359-40	Adapter, 1/2" NPT Male x 3/8" NPT Female
10	G016635-45	Roller Kit



Model Number

5HR-242-01-A

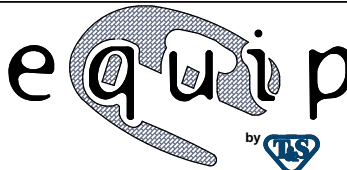
Product Specifications:

**Black Powder Coated Steel, Open Hose Reel
w/ Ø3/8" x 50' Hose, Reducing Adapter &
High Flow Spray Valve**

Product Compliance:

EPAAct 2005 Non-Compliant (PRSV)
NSF 61 Exempt (Non-Potable)

equip
Foodservice
Accessories



2 Saddleback Cove, P.O. Box 1088
Travelers Rest, South Carolina 29690
Phone: 800.891.4808 Fax: 800.868.0084
equip.tsbrass.com