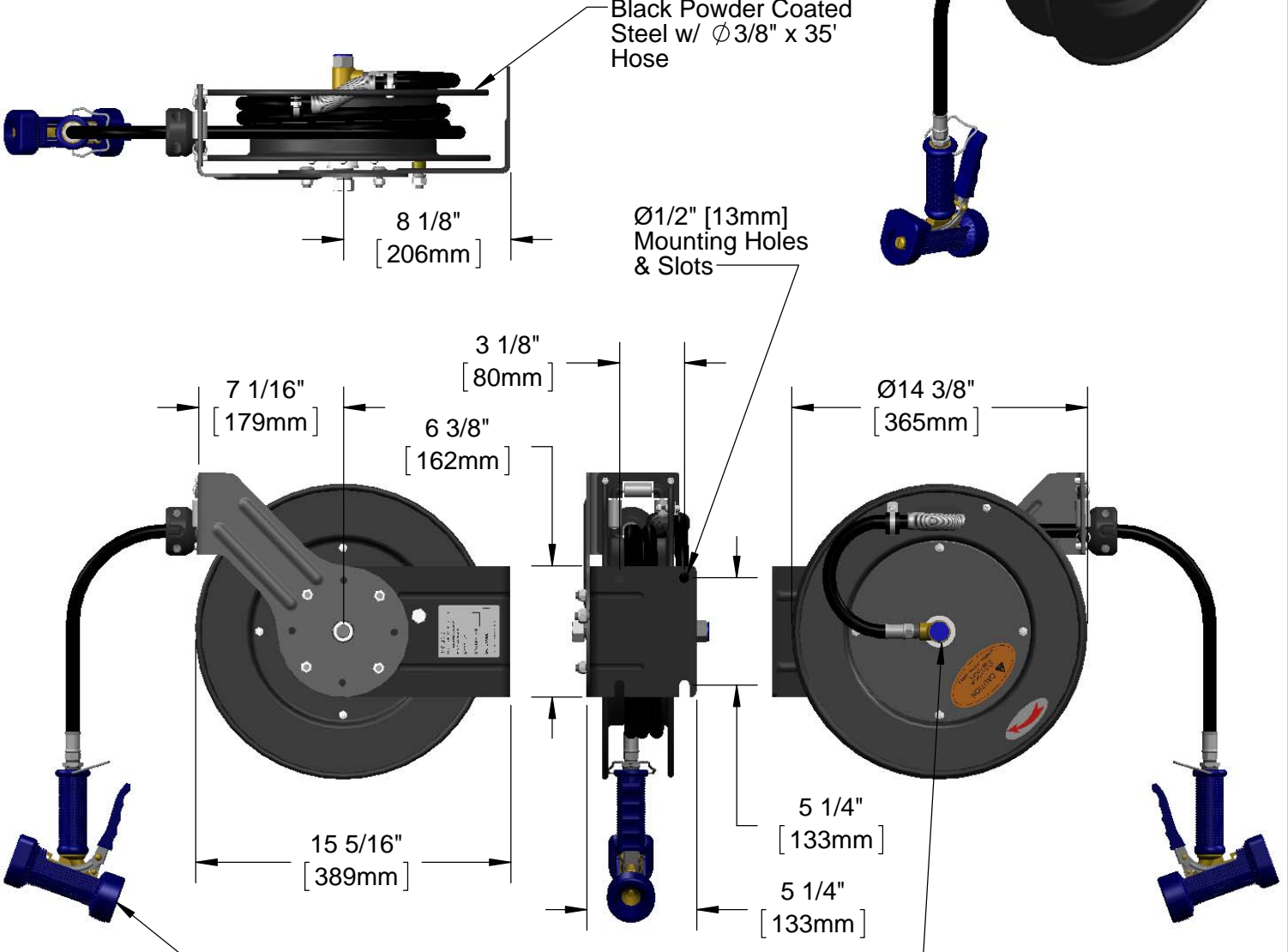



This Space for Architect/Engineer Approval

Job Name _____ Date _____
 Model Specified _____ Quantity _____
 Customer/Wholesaler _____
 Contractor _____
 Architect/Engineer _____

019129-25
 Reducing Adapter
 $3/8"$ NPT Male x $1/2"$ NPT Female (Included)

Hose Ratings
 Pressure: 300 PSI Max.
 Temperature: 176°F Max.

Model Number
5HR-232-12-A

Product Specifications:
Black Powder Coated Steel, Open Hose Reel w/ $\varnothing 3/8"$ x 35' Hose, Reducing Adapter & Front Trigger Water Gun

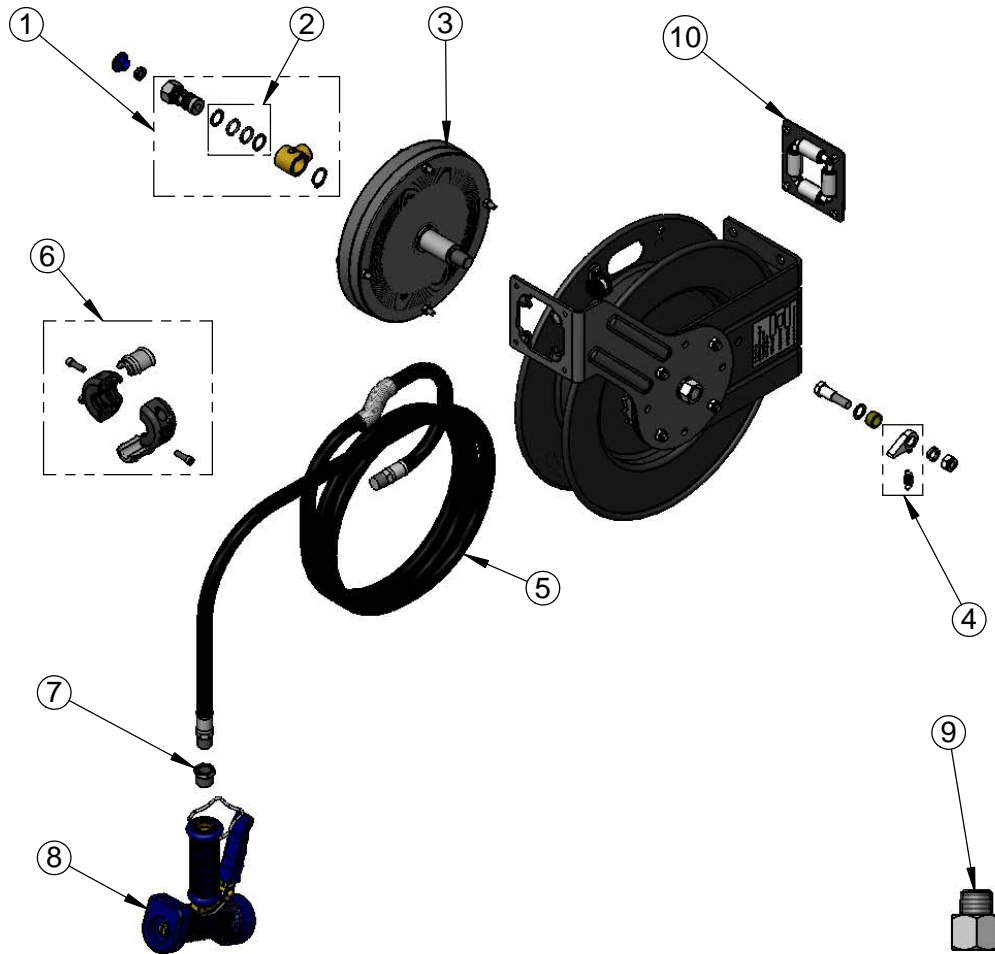
Product Compliance:
 EPAAct 2005 Non-Compliant (PRSV)
 NSF 61 Exempt (Non-Potable)

equip Foodservice Accessories



2 Saddleback Cove, P.O. Box 1088
 Travelers Rest, South Carolina 29690
 Phone: 800.891.4808 Fax: 800.868.0084
 equip.tsbrass.com

| ITEM NO. | SALES NO. | DESCRIPTION |
|----------|-------------|---|
| 1 | 5HR-2SA | Complete 3/8" Swivel |
| 2 | 014948-45 | Seal Kit |
| 3 | G016682-45 | Spring |
| 4 | 014940-45 | Ratchet Repair Kit |
| 5 | 5HR-2HSE-35 | Ø 3/8" x 35' Hose |
| 6 | 019246-45 | Hose Stop Repair Kit |
| 7 | 001359-40 | Hex Bushing, 1/2" NPT Male x 3/8" NPT Female |
| 8 | EMV-0522-24 | Front Trigger Water Gun |
| 9 | 019129-25 | Reducing Adapter, 3/8" NPT Male x 1/2" NPT Female |
| 10 | G016631-45 | Roller Kit |



Model Number
5HR-232-12-A

Product Specifications:
**Black Powder Coated Steel, Open Hose Reel
w/ Ø3/8" x 35' Hose, Reducing Adapter &
Front Trigger Water Gun**

Product Compliance:
EPAct 2005 Non-Compliant (PRSV)
NSF 61 Exempt (Non-Potable)

equip
Foodservice
Accessories



2 Saddleback Cove, P.O. Box 1088
Travelers Rest, South Carolina 29690
Phone: 800.891.4808 Fax: 800.868.0084
equip.tsbrass.com