

This Space For Architect/Engineer Approval

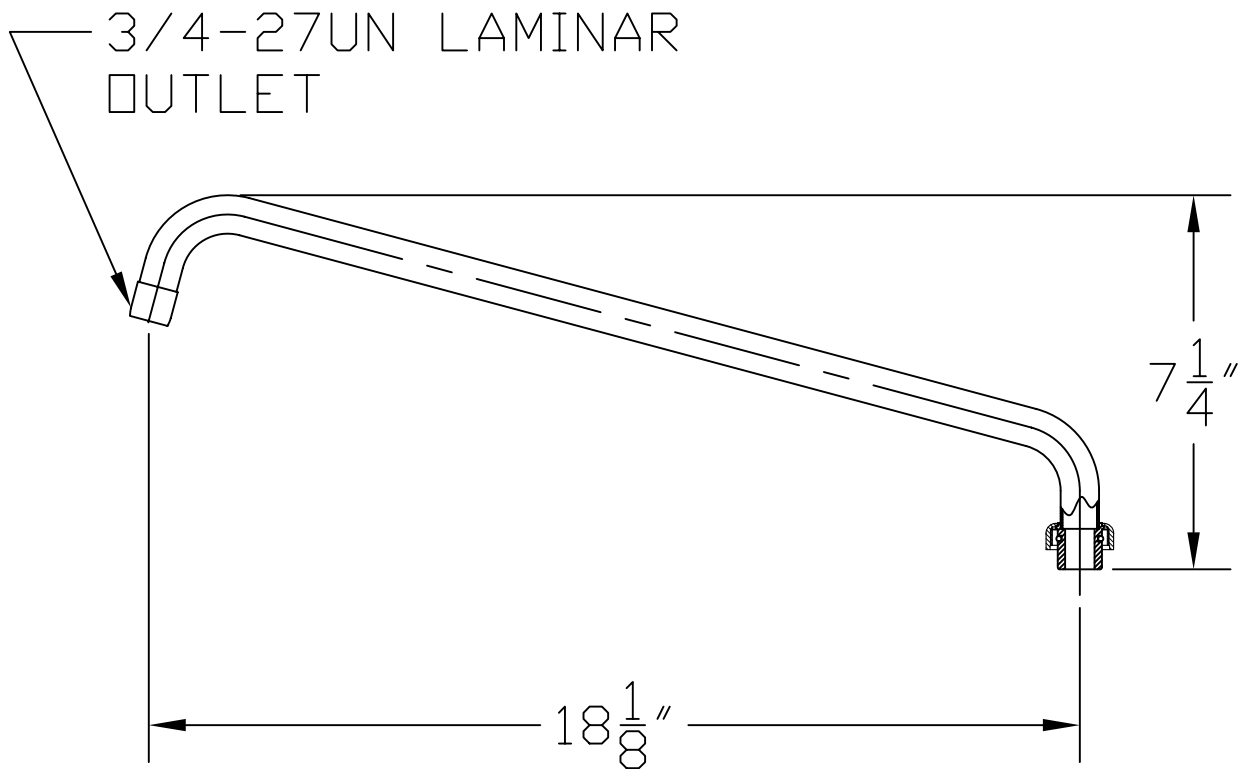
Job Name _____ Date _____

Model Specified _____ Quantity _____

Customer/Wholesaler _____

Contractor _____

Architect/Engineer _____



Note:

Conversion to Rigid Requires
014200-45 Lock Washer
(Available Separately)

MODEL NUMBER	5SP-18	DATE	3/12/10	SCALE	1:4	DRAWN	DMH	CHECKED	GEF	APPROVED	JHB
--------------	--------	------	---------	-------	-----	-------	-----	---------	-----	----------	-----



DESCRIPTION

18" SWING NOZZLE, EQUIP

equip Foodservice Accessories
P.O. BOX 1088, 2 SADDLEBACK COVE
TRAVELERS REST, SOUTH CAROLINA 29690
PHONE: 800.891.4808 FAX: 800.868.0084