

This Space For Architect/Engineer Approval

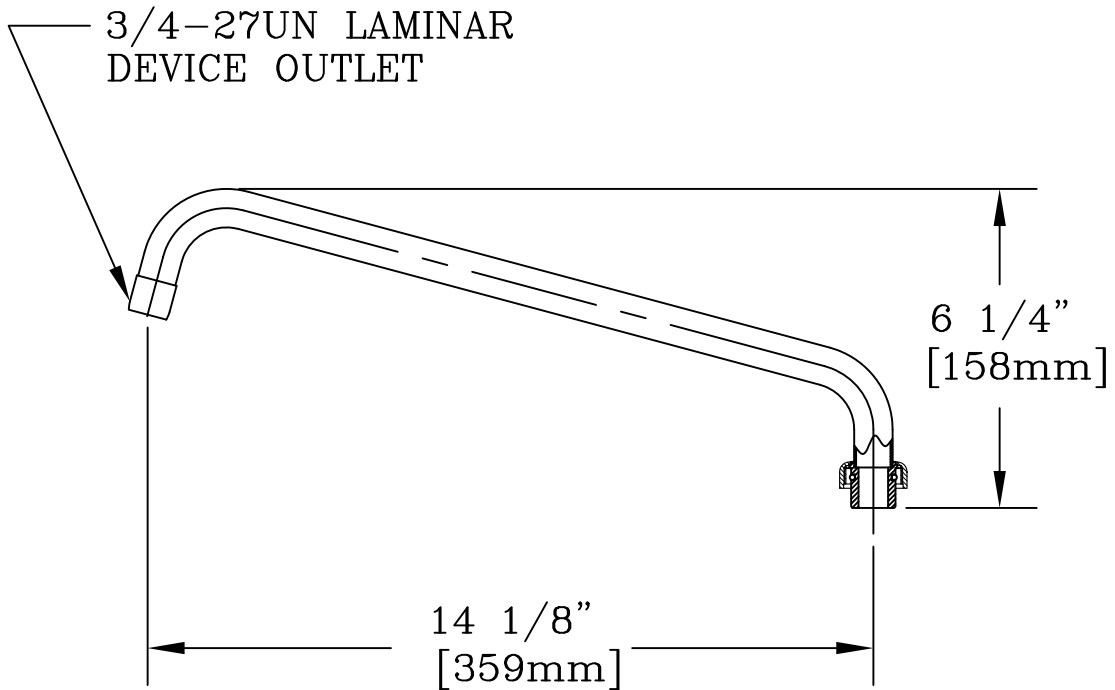
Job Name _____ Date _____

Model Specified _____ Quantity _____

Customer/Wholesaler _____

Contractor _____

Architect/Engineer _____



Note:
Conversion to Rigid Requires
014200-45 Lock Washer
(Available Separately)

MODEL NUMBER	5SP-14	DATE	09/02/11	SCALE	1:4	DRAWN	DHL	CHECKED	KJG	APPROVED	JHB
--------------	--------	------	----------	-------	-----	-------	-----	---------	-----	----------	-----



DESCRIPTION 14" SWING NOZZLE, EQUIP

equip Foodservice Accessories
P.O. BOX 1088, 2 SADDLEBACK COVE
TRAVELERS REST, SOUTH CAROLINA 29690
PHONE: 800.891.4808 FAX: 800.868.0084