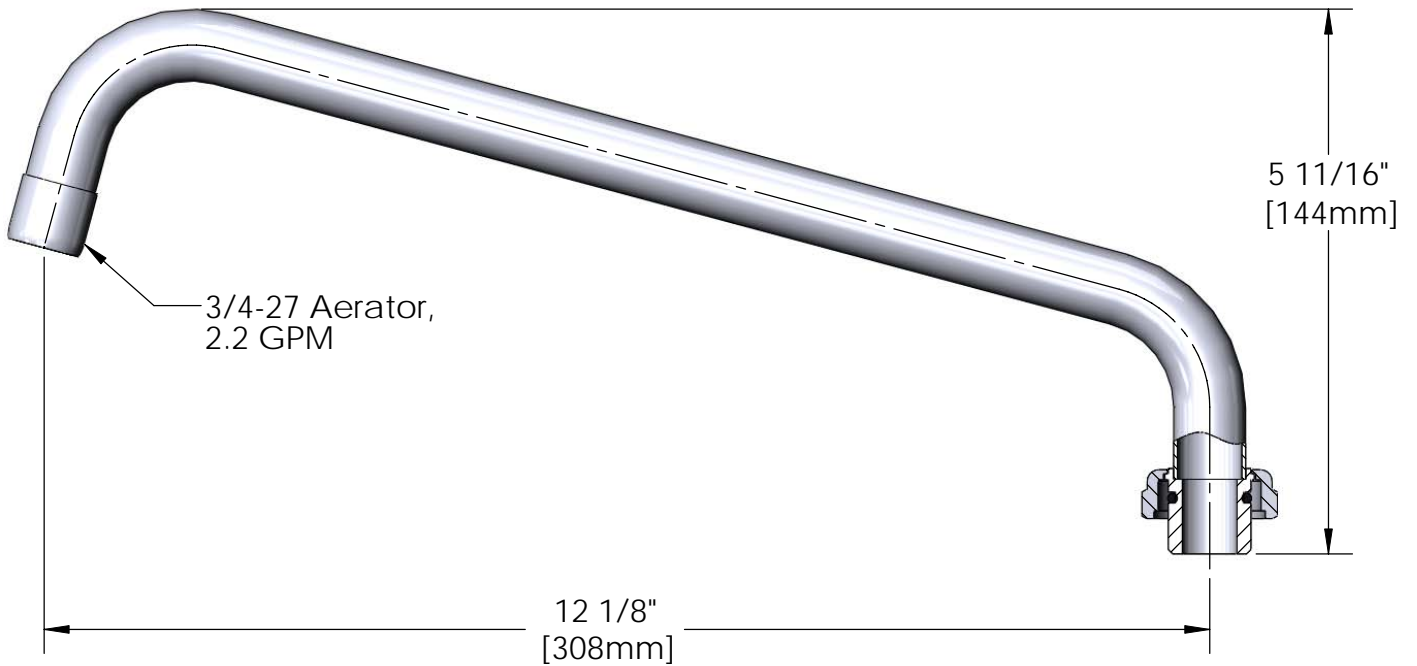


This Space for Architect/Engineer Approval

Job Name _____ Date _____
 Model Specified _____ Quantity _____
 Customer/Wholesaler _____
 Contractor _____
 Architect/Engineer _____



Note:
 Conversion to Rigid Requires
 014200-45 Lock Washer
 (Available Separately)

Model Number 5SP-12A	Date 03/12/10	Scale 1:2	Drawn DMH	Checked GEF	Approved JHB
-------------------------	------------------	--------------	--------------	----------------	-----------------



Product Specifications:
 12" Swing Nozzle w/ 2.2 GPM Aerator

equip Foodservice Accessories
 2 Saddleback Cove, P.O. Box 1088
 Travelers Rest, South Carolina 29690
 Phone: 800.891.4808 Fax: 800.868.0084