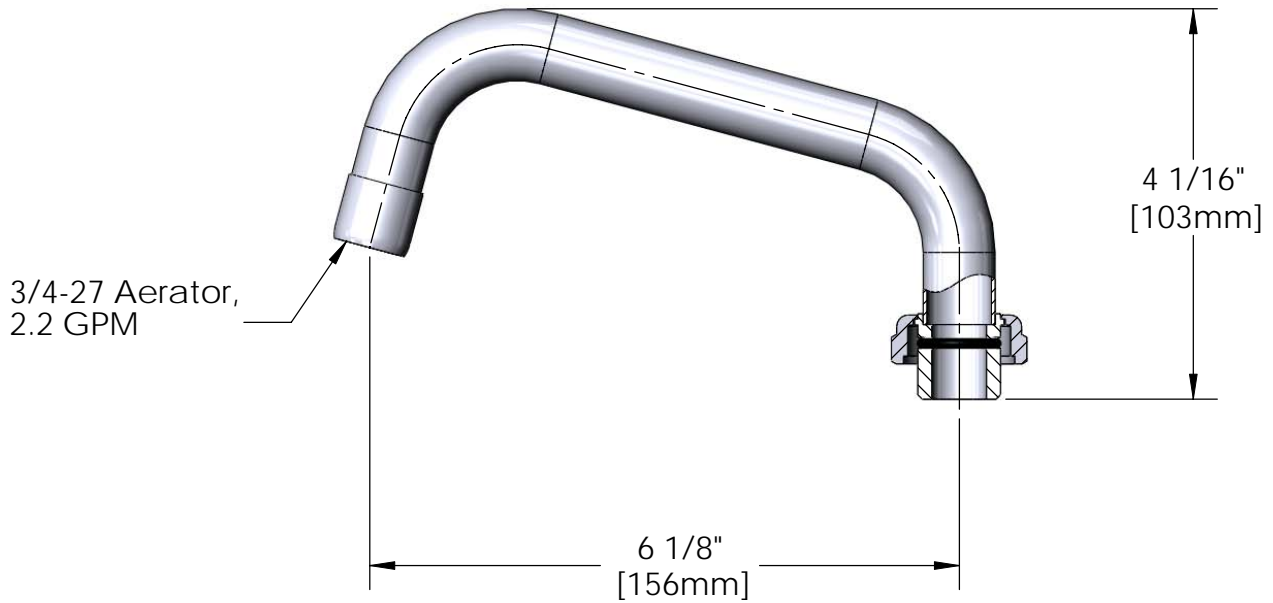
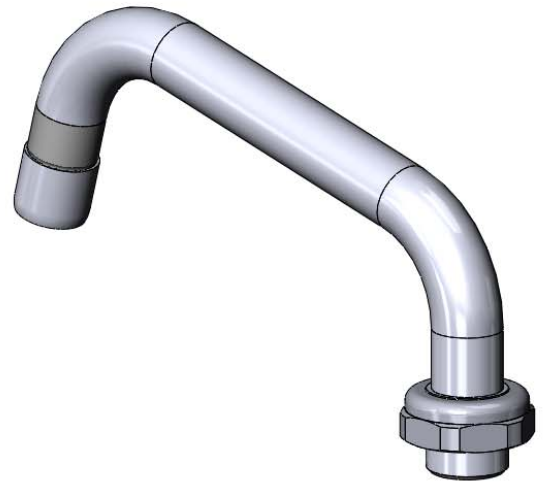


*This Space for Architect/Engineer Approval*

Job Name \_\_\_\_\_ Date \_\_\_\_\_  
 Model Specified \_\_\_\_\_ Quantity \_\_\_\_\_  
 Customer/Wholesaler \_\_\_\_\_  
 Contractor \_\_\_\_\_  
 Architect/Engineer \_\_\_\_\_



Note:  
 Conversion to Rigid Requires  
 014200-45 Lock Washer  
 (Available Separately)

Model Number 5SP-06A	Date 03/12/10	Scale 1:2	Drawn DMH	Checked GEF	Approved JHB
-------------------------	------------------	--------------	--------------	----------------	-----------------

Product Specifications:

6" Swing Nozzle w/ 2.2 GPM Aerator



equip Foodservice Accessories  
 2 Saddleback Cove, P.O. Box 1088  
 Travelers Rest, South Carolina 29690  
 Phone: 800.891.4808 Fax: 800.868.0084