

This Space for Architect/Engineer Approval

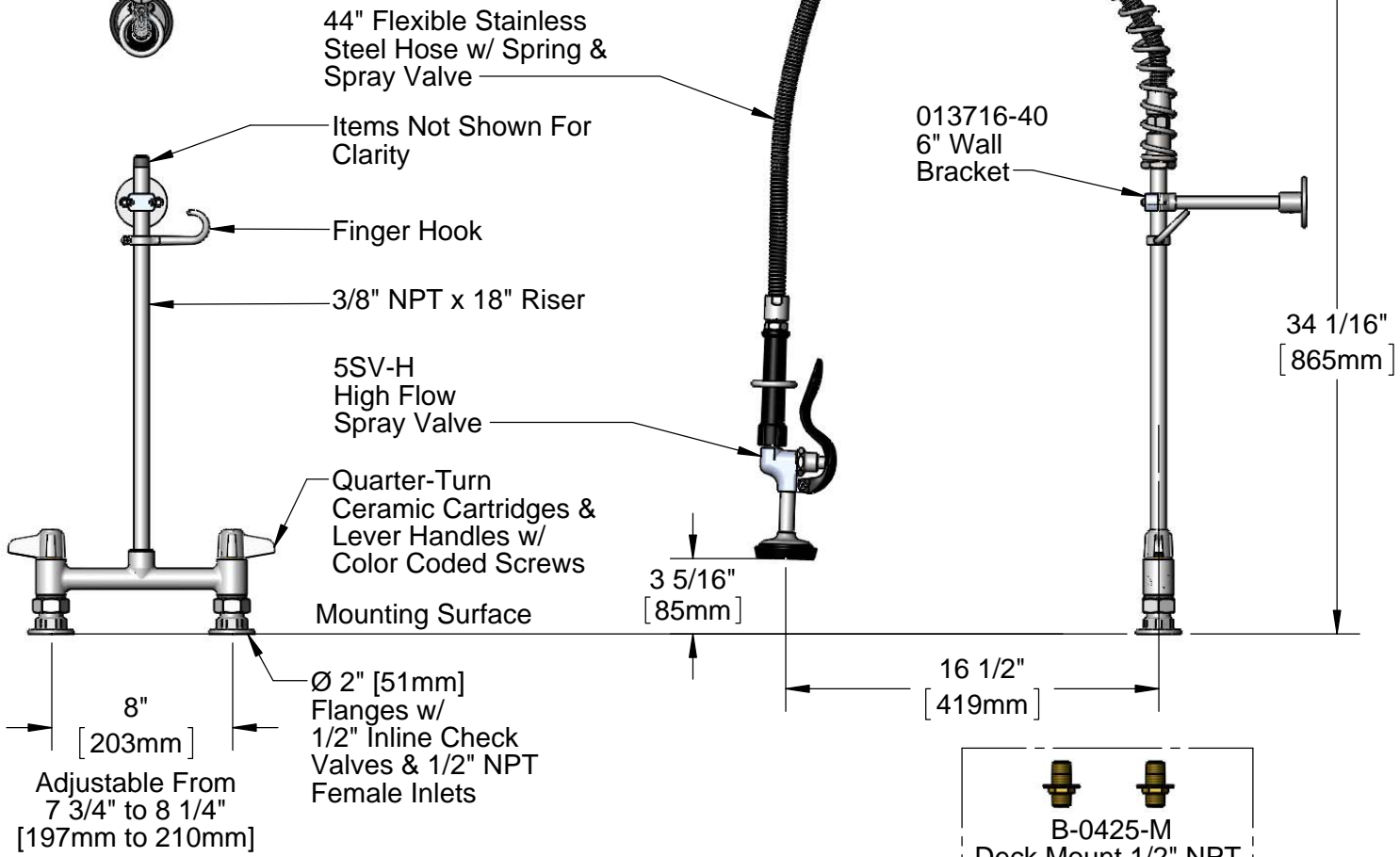
Job Name _____ Date _____

Model Specified _____ Quantity _____

Customer/Wholesaler _____

Contractor _____

Architect/Engineer _____



Model Number

5PR-8D00-H

Product Compliance:

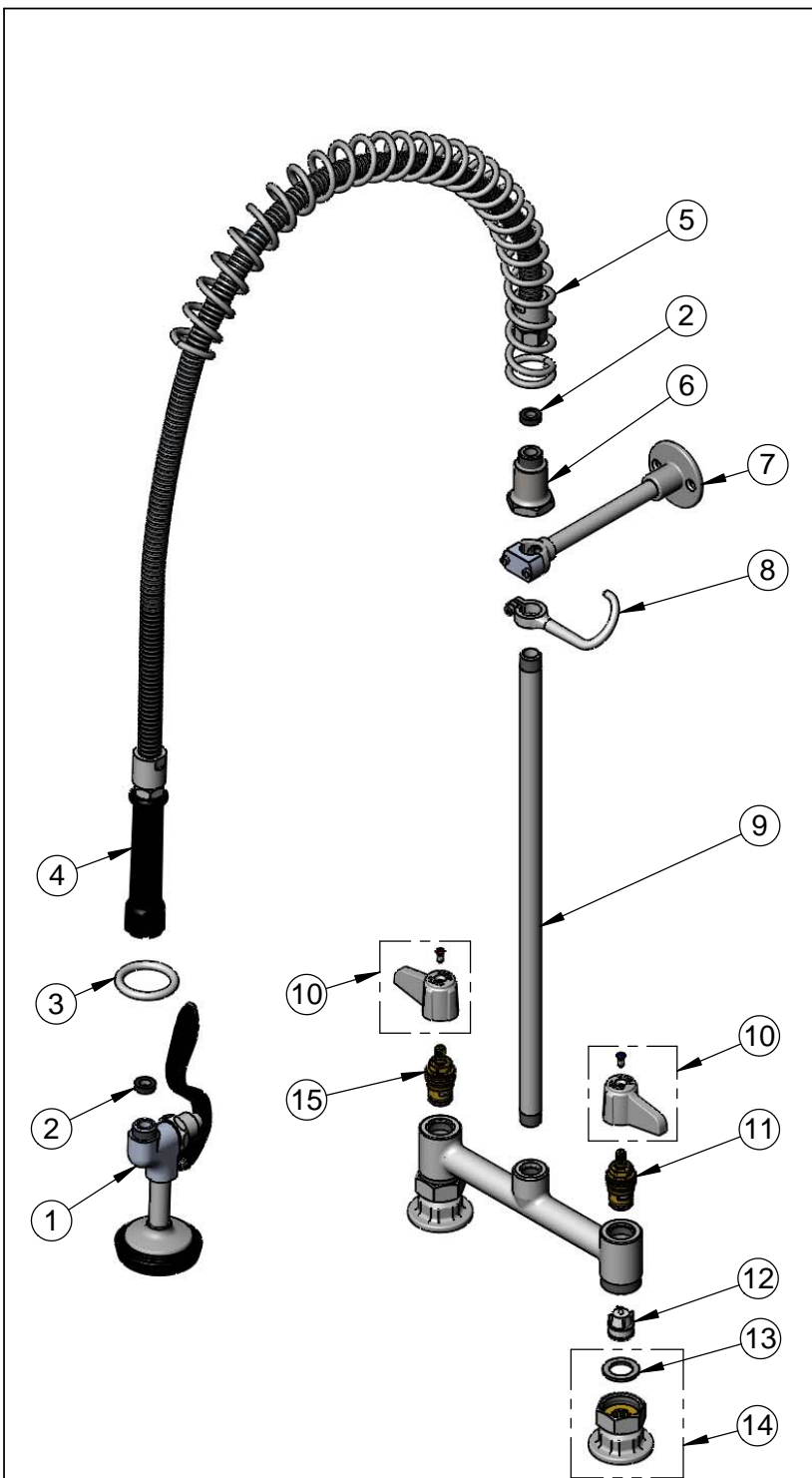
ASME A112.18.1 / CSA B125.1
NSF 61 - Section 9
NSF 372 (Low Lead Content)
EPA Act 2005 Non-Compliant (PRSV)
Product Not Designed/Intended for
Commercial Warewashing in North America

Product Specifications:

Pre-Rinse Unit: 8" Deck Mount Mixing Faucet, Lever Handles, 6" Wall Bracket, High Flow Spray Valve, 1/2" In-Line Check Valves & 1/2" NPT Flange Inlets

equip
Foodservice
Accessories

2 Saddleback Cove, P.O. Box 1088
Travelers Rest, South Carolina 29690
Phone: 800.891.4808 Fax: 800.868.0084
equip.tsbrass.com



ITEM NO.	SALES NO.	DESCRIPTION
1	5SV-H	High Flow Spray Valve
2	010476-45	#27 Washer
3	000907-45	Spray Valve Hold Down Ring
4	5HSE44	44" Flexible Stainless Steel Hose
5	014068-45	Overhead Spring
6	000821-40	Spring Body
7	013716-40	6" Wall Bracket
8	004R	Finger Hook
9	000369-40	3/8" NPT x 18" Riser
10	5-HDL-L	Lever Handle (Includes Blue & Red Screws)
11	013788-45	equip Quarter-Turn Ceramic Cartridge, LTC
12	013840-45	20mm Check Valve
13	001019-45	Wall Flange Coupling Washer
14	00AA	1/2" NPT Female Eccentric Flange
15	013787-45	equip Quarter-Turn Ceramic Cartridge, RTC

Model Number
5PR-8D00-H

Product Compliance:
 ASME A112.18.1 / CSA B125.1
 NSF 61 - Section 9
 NSF 372 (Low Lead Content)
 EPA Act 2005 Non-Compliant (PRSV)
 Product Not Designed/Intended for
 Commercial Warewashing in North America

Product Specifications:
 Pre-Rinse Unit: 8" Deck Mount Mixing Faucet, Lever Handles,
 6" Wall Bracket, High Flow Spray Valve, 1/2" In-Line
 Check Valves & 1/2" NPT Flange Inlets

equip
 Foodservice
 Accessories



2 Saddleback Cove, P.O. Box 1088
 Travelers Rest, South Carolina 29690
 Phone: 800.891.4808 Fax: 800.868.0084
 equip.tsbrass.com