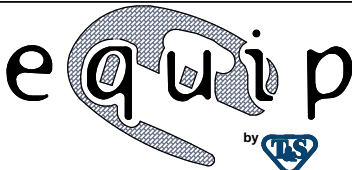
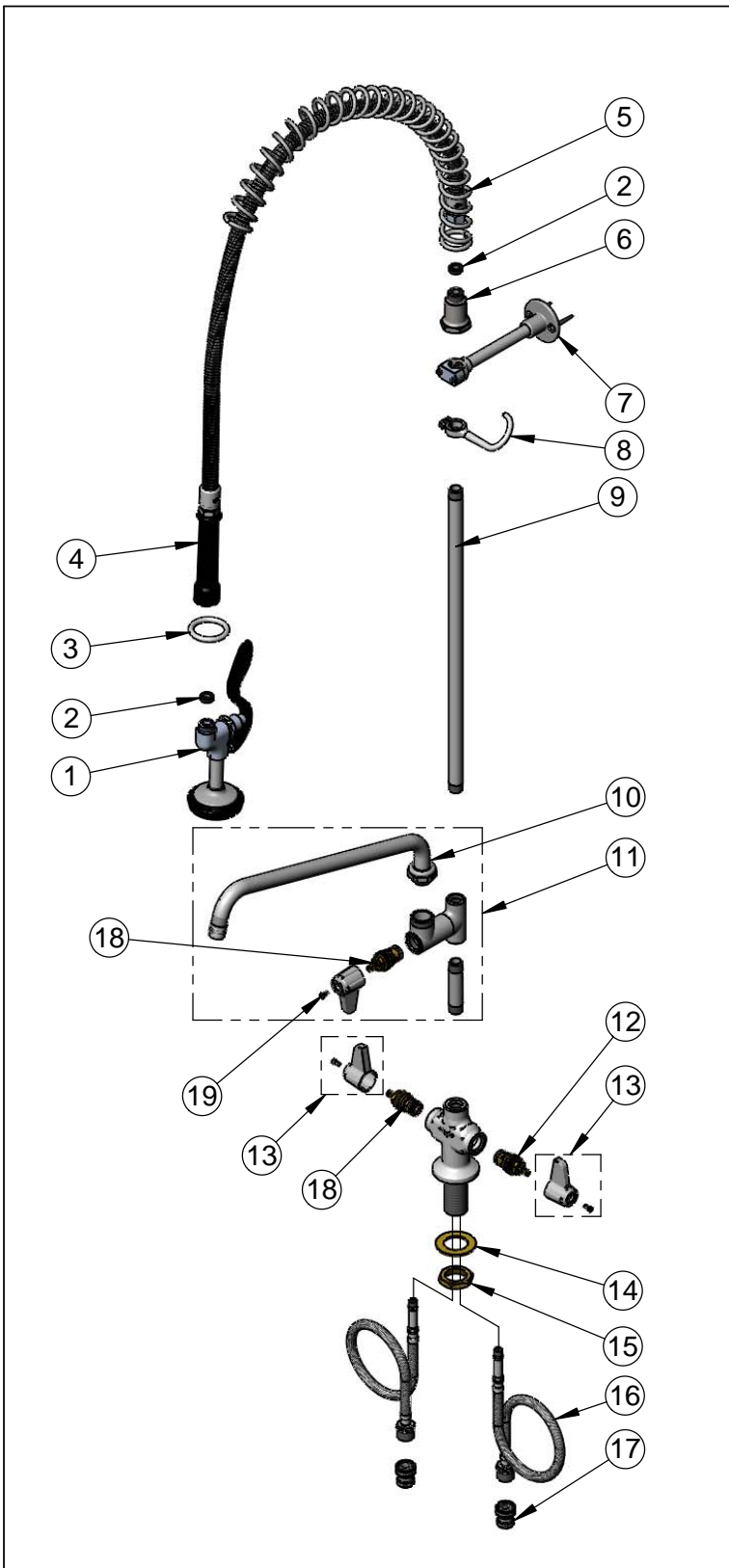


|   |  |
|---|--|
| <p>Model Number</p> <p><b>5PR-2S14</b></p>  | <p>Product Specifications:</p> <p>Pre-Rinse Unit: Single Hole Deck Mount Mixing Faucet, Quarter-Turn Ceramic Cartridges, Add-On Faucet w/ 14" Swing Nozzle, 6" Wall Bracket, 1.42 GPM Spray Valve, 1/2" BSP In-Line Check Valves &amp; Flexible Supply Hoses</p>                   |
| <p>Product Compliance:</p> <p>ASME A112.18.1 / CSA B125.1<br/>NSF 61 - Section 9<br/>NSF 372 (Low Lead Content)<br/>EPA Act 2005 (PRSV)</p> | <p>equip<br/>Foodservice<br/>Accessories</p>  <p>2 Saddleback Cove, P.O. Box 1088<br/>Travelers Rest, South Carolina 29690<br/>Phone: 800.891.4808 Fax: 800.868.0084<br/>equip.tsbrass.com</p> |



| ITEM NO. | SALES NO. | DESCRIPTION  |
|----------|-----------|--|
| 1        | 5SV       | 1.42 GPM equip Spray Valve                                       |
| 2        | 010476-45 | #27 Washer   |
| 3        | 000907-45 | Spray Valve Hold Down Ring                                       |
| 4        | 5HSE44    | equip 44" Flexible Stainless Steel Hose w/ Black Handle & Washer |
| 5        | 014068-45 | Overhead Spring  |
| 6        | 000821-40 | Spring Body  |
| 7        | 013716-40 | 6" Wall Bracket  |
| 8        | 004R      | Finger Hook  |
| 9        | 000369-40 | 3/8" NPT x 18" Riser   |
| 10       | 5SP-14    | equip 14" Swing Nozzle   |
| 11       | 5AFL14    | Add-On Faucet w/ 14" Swing Nozzle                                |
| 12       | 013788-45 | Equip Ceramic Cartridge, LTC                                     |
| 13       | 5-HDL-L   | equip Lever Handle w/ Color Coded Screws                         |
| 14       | 002290-45 | Lock Washer  |
| 15       | 000965-45 | Lock Nut   |
| 16       | 012436-45 | 18" Flexible Supply Hose (2)                                     |
| 17       | 010321-45 | 1/2" BSPP In-Line Check Valve                                    |
| 18       | 013787-45 | Equip Ceramic Cartridge, RTC                                     |
| 19       | 013849-45 | Handle Screw (10)  |

Model Number  
**5PR-2S14**

Product Compliance:  
ASME A112.18.1 / CSA B125.1  
NSF 61 - Section 9  
NSF 372 (Low Lead Content)  
EPA Act 2005 (PRSV)

Product Specifications:  
**Pre-Rinse Unit: Single Hole Deck Mount Mixing Faucet, Quarter-Turn Ceramic Cartridges, Add-On Faucet w/ 14" Swing Nozzle, 6" Wall Bracket, 1.42 GPM Spray Valve, 1/2" BSPP In-Line Check Valves & Flexible Supply Hoses**

equip  
Foodservice  
Accessories



2 Saddleback Cove, P.O. Box 1088  
Travelers Rest, South Carolina 29690  
Phone: 800.891.4808 Fax: 800.868.0084  
equip.tsbrass.com