

*This Space for Architect/Engineer Approval*

Job Name \_\_\_\_\_ Date \_\_\_\_\_

Model Specified \_\_\_\_\_ Quantity \_\_\_\_\_

Customer/Wholesaler \_\_\_\_\_

Contractor \_\_\_\_\_

Architect/Engineer \_\_\_\_\_



2 3/8"  
[60mm]

equip 44" Flexible  
Stainless Steel Hose w/  
Spring & Spray Valve

Items Not Shown  
For Clarity

Finger Hook

3/8" NPT x 18" Riser

5SV  
1.42 GPM  
Spray Valve

Ceramic Cartridge &  
equip Lever Handle w/  
Color Coded Screw

Mounting Surface

Ø 2 1/4" [57mm]  
Flange w/  
1/2" NPSM  
Male Inlet

2 1/2"  
[63mm]

4"  
[102mm]

16 1/2"  
[419mm]

013716-40  
6" Wall  
Bracket

34 13/16"  
[885mm]

1 5/8"  
[42mm]  
Maximum  
Thickness

Rough-In Requirement:  
Ø 1" [25mm] Mounting Hole

Model Number

**5PR-1S00**

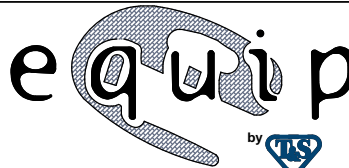
Product Specifications:

Pre-Rinse Unit: Single Hole Deck Mount Faucet, Ceramic Cartridge, 44" Flexible Stainless Steel Hose, 1.42 GPM equip Spray Valve, 6" Wall Bracket & 1/2" NPSM Male Inlet

Product Compliance:

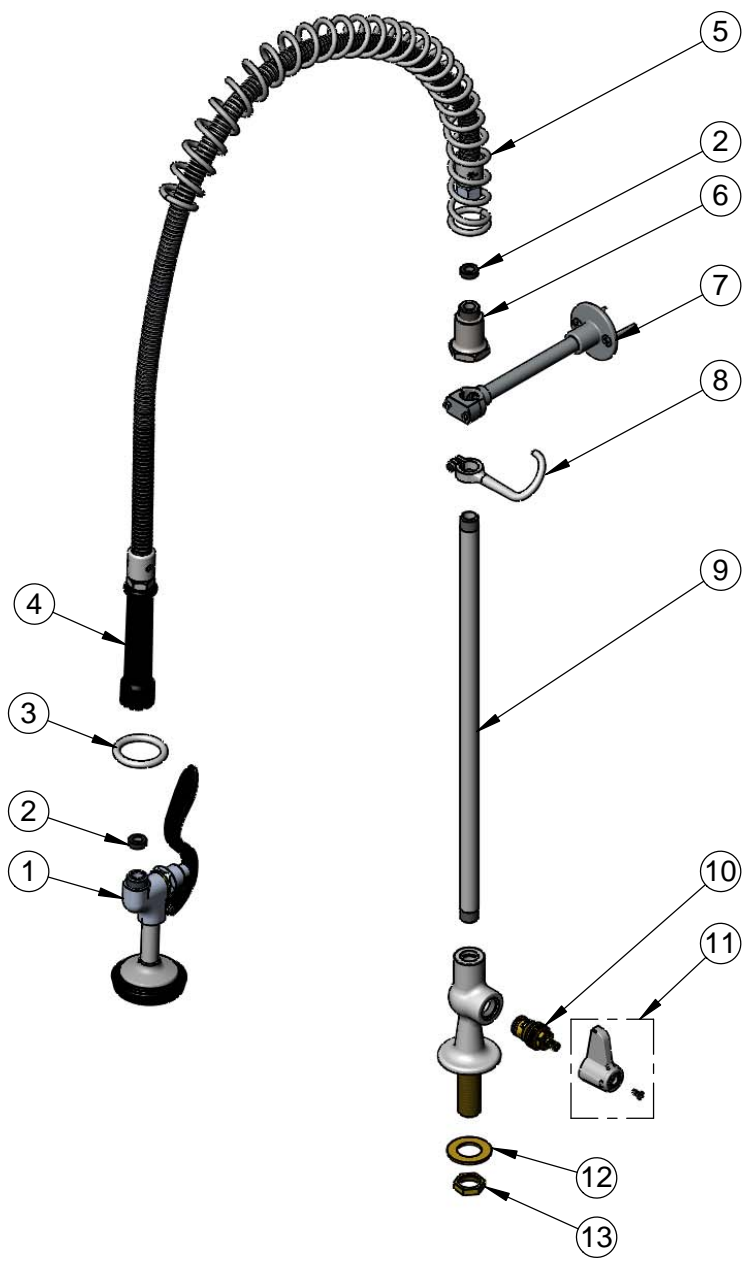
ASME A112.18.1 / CSA B125.1  
NSF 61 - Section 9  
NSF 372 (Low Lead Content)  
EPA Act 2005 (PRSV)

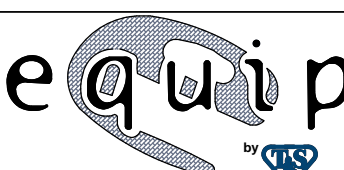
equip  
Foodservice  
Accessories



2 Saddleback Cove, P.O. Box 1088  
Travelers Rest, South Carolina 29690  
Phone: 800.891.4808 Fax: 800.868.0084  
equip.tsbrass.com

ITEM NO.	SALES NO.	DESCRIPTION
1	5SV	equip 1.42 GPM Spray Valve
2	010476-45	#27 Washer
3	000907-45	Spray Valve Hold Down Ring
4	5HSE44	equip 44" Flexible Stainless Steel Hose
5	014068-45	Overhead Spring
6	000821-40	Spring Body
7	013716-40	6" Wall Bracket
8	004R	Finger Hook
9	000369-40	3/8" NPT x 18" Riser
10	013787-45	equip Ceramic Cartridge, RTC
11	5-HDL-L	equip Lever Handle w/ Color Coded Screws
12	000999-45	Brass Lock Washer
13	002954-45	Shank Lock Nut



Model Number <b>5PR-1S00</b>		Product Specifications: Pre-Rinse Unit: Single Hole Deck Mount Faucet, Ceramic Cartridge, 44" Flexible Stainless Steel Hose, 1.42 GPM equip Spray Valve, 6" Wall Bracket & 1/2 NPSM Male Inlet	
Product Compliance: ASME A112.18.1 / CSA B125.1 NSF 61 - Section 9 NSF 372 (Low Lead Content) EPA Act 2005 (PRSV)			
Drawn: JBC	Checked: JRM	Approved: JHB	Date: 10/09/15
Scale: NTS		Sheet: 2 of 2	

2 Saddleback Cove, P.O. Box 1088  
 Travelers Rest, South Carolina 29690  
 Phone: 800.891.4808 Fax: 800.868.0084  
 equip.tsbrass.com