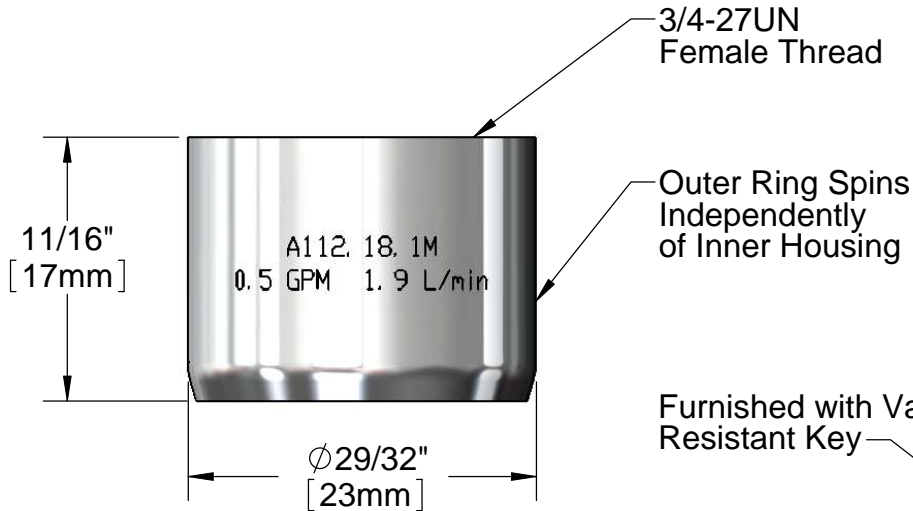
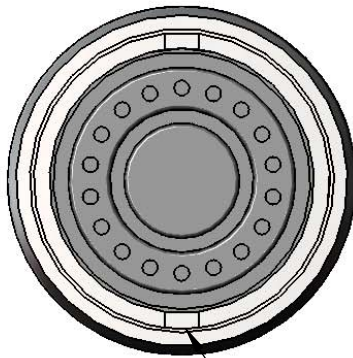
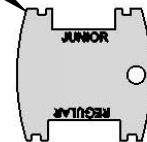


This Space for Architect/Engineer Approval

Job Name \_\_\_\_\_ Date \_\_\_\_\_  
 Model Specified \_\_\_\_\_ Quantity \_\_\_\_\_  
 Customer/Wholesaler \_\_\_\_\_  
 Contractor \_\_\_\_\_  
 Architect/Engineer \_\_\_\_\_



Furnished with Vandal  
Resistant Key



Vandal Resistant Key Slots

|                         |                  |              |              |                |                 |
|-------------------------|------------------|--------------|--------------|----------------|-----------------|
| Model Number<br>5F-VF05 | Date<br>05/20/11 | Scale<br>2:1 | Drawn<br>KJG | Checked<br>DMH | Approved<br>JHB |
|-------------------------|------------------|--------------|--------------|----------------|-----------------|



Product Specifications:

0.5 GPM, 3/4-27UN Female,  
Non-Aerated Vandal  
Resistant Outlet Device

equip Foodservice Accessories  
 2 Saddleback Cove, P.O. Box 1088  
 Travelers Rest, South Carolina 29690  
 Phone: 800.891.4808 Fax: 800.868.0084