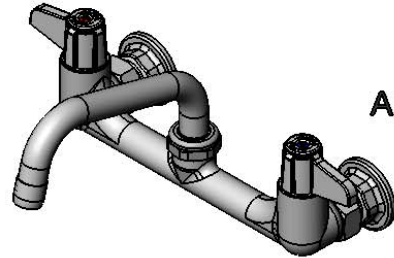
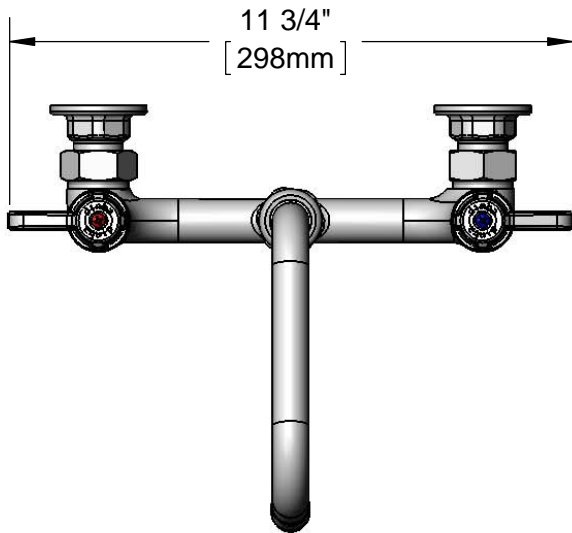


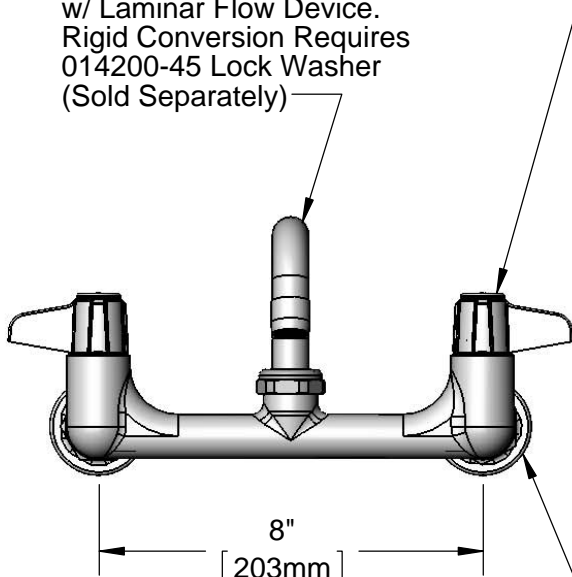
This Space for Architect/Engineer Approval

Job Name _____ Date _____
 Model Specified _____ Quantity _____
 Customer/Wholesaler _____
 Contractor _____
 Architect/Engineer _____

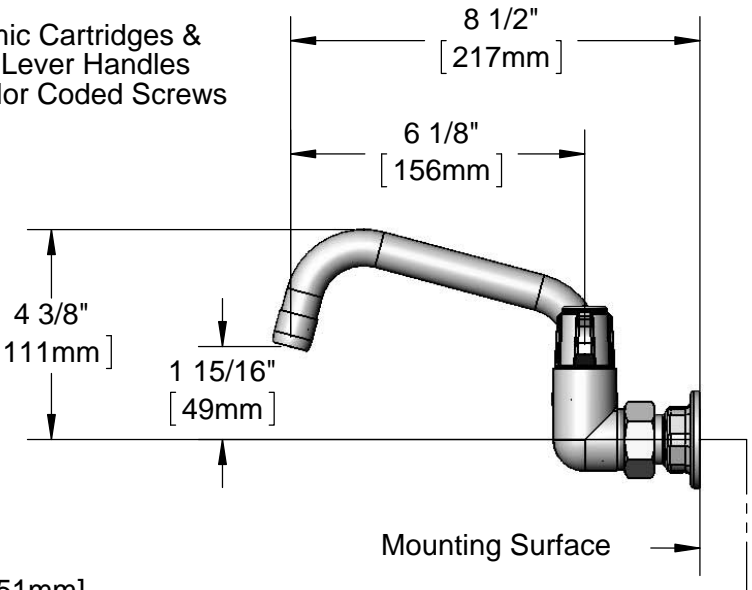


ADA Compliant

5SP-06
 6" equip Swing Nozzle
 w/ Laminar Flow Device.
 Rigid Conversion Requires
 014200-45 Lock Washer
 (Sold Separately)



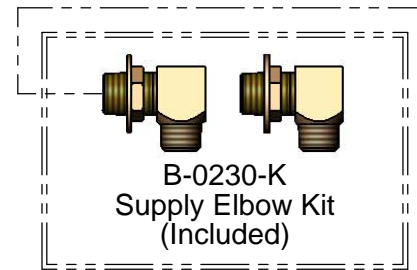
Ceramic Cartridges &
 equip Lever Handles
 w/ Color Coded Screws



8"
 [203mm]
 Adjustable From
 7 3/4" to 8 1/4"
 [197mm to 210mm]

Ø 2" [51mm]
 Flanges w/
 1/2" NPT
 Female Inlets

Mounting Surface



Rough-In Requirement:
 (2) Ø 1" [25mm] Mounting Holes

Model Number 5F-8WLS06	Date 06/05/12	Scale 1:4	Drawn DHL	Checked DMH	Approved JHB
---------------------------	------------------	--------------	--------------	----------------	-----------------

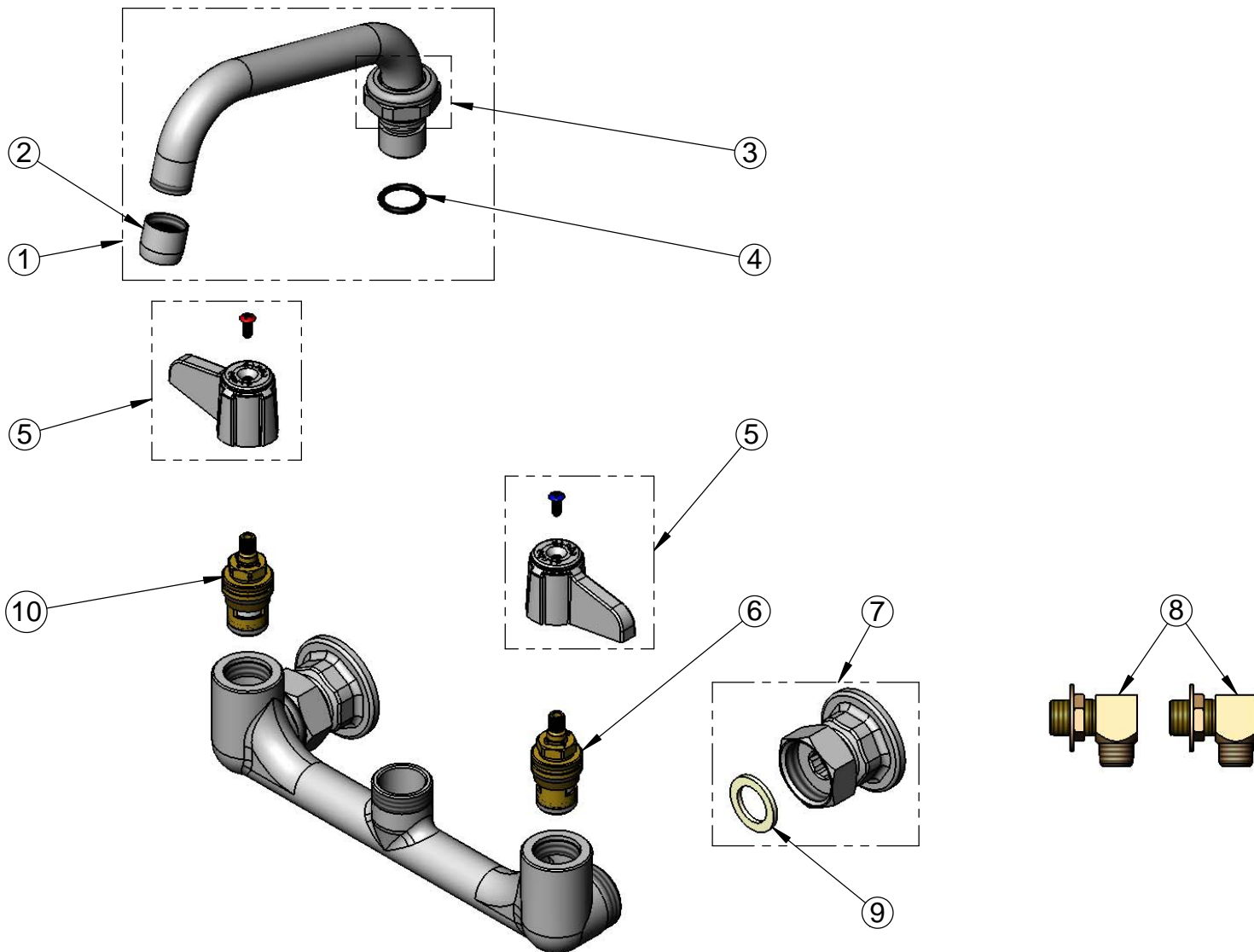


Product Specifications:

8" Wall Mount Mixing Faucet w/ Ceramic Cartridges,
 equip Lever Handles, 6" equip Swing Nozzle
 & 1/2" NPT Supply Elbow Kit

equip Foodservice Accessories
 2 Saddleback Cove, P.O. Box 1088
 Travelers Rest, South Carolina 29690
 Phone: 800.891.4808 Fax: 800.868.0084

ITEM NO.	SALES NO.	DESCRIPTION
1	5SP-06	6" equip Swing Nozzle
2	014250-40	Laminar Flow Device
3	013839-25	equip Swivel Nut
4	013848-45	equip Swivel Piece O-ring
5	5-HDL-L	equip Lever Handle w/ Color Coded Screws
6	013788-45	equip Ceramic Cartridge, LTC
7	00AA	Flange Assembly
8	B-0230-K	1/2" NPT Supply Elbow Kit
9	001019-45	Coupling Nut Washer
10	013787-45	equip Ceramic Cartridge, RTC



Model Number 5F-8WLS06	Date 06/05/12	Scale NTS	Drawn DHL	Checked DMH	Approved JHB
---------------------------	------------------	--------------	--------------	----------------	-----------------



Product Specifications:

8" Wall Mount Mixing Faucet w/ Ceramic Cartridges,
equip Lever Handles, 6" equip Swing Nozzle
& 1/2" NPT Supply Elbow Kit

equip Foodservice Accessories
2 Saddleback Cove, P.O. Box 1088
Travelers Rest, South Carolina 29690
Phone: 800.891.4808 Fax: 800.868.0084