



ADA Compliant

This Space for Architect/Engineer Approval

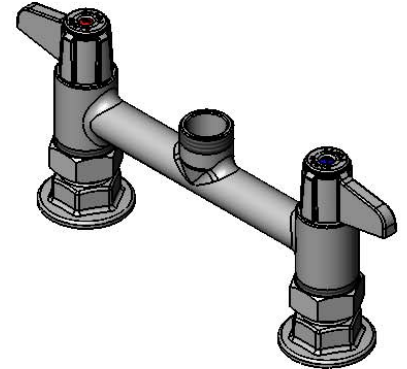
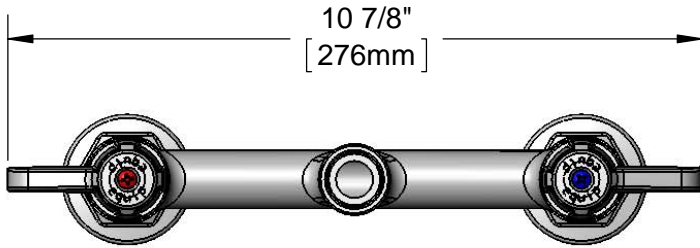
Job Name _____ Date _____

Model Specified _____ Quantity _____

Customer/Wholesaler _____

Contractor _____

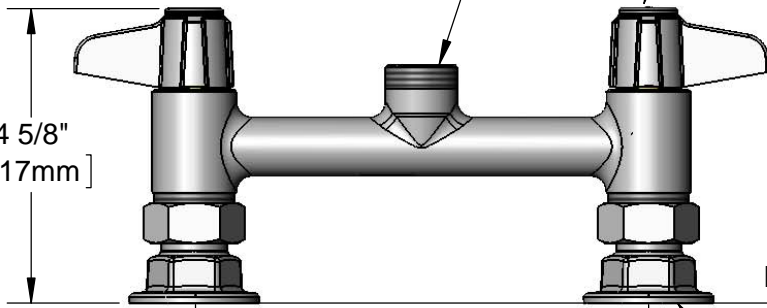
Architect/Engineer _____



Swivel Outlet Accepts
equip Swing Nozzle.
Rigid Conversion Requires
014200-45 Lock Washer
(Sold Separately)

Ceramic Cartridges &
equip Lever Handles w/
Color Coded Screws

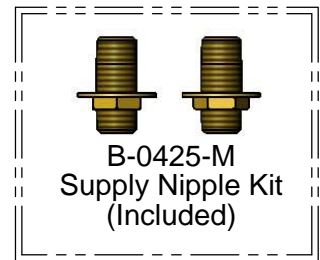
4 5/8"
[117mm]



Mounting Surface

7"
[180mm]
Adjustable From
6 3/4" to 7 1/4"
[171mm to 184mm]

Ø 2" [51mm]
Flanges w/
1/2" NPT
Female Inlets



Rough-In Requirement:
(2) Ø 1" [25mm] Mounting Holes

Model Number
5F-7DLS00

Product Specifications:
**7" Deck Mount Mixing Faucet, Less Nozzle, Ceramic Cartridges,
equip Lever Handles & 1/2" NPT Supply Nipple Kit**

Product Compliance:
ASME A112.18.1 / CSA B125.1
NSF 61 - Section 9
NSF 372 (Low Lead Content)
ANSI A117.1 (ADA)

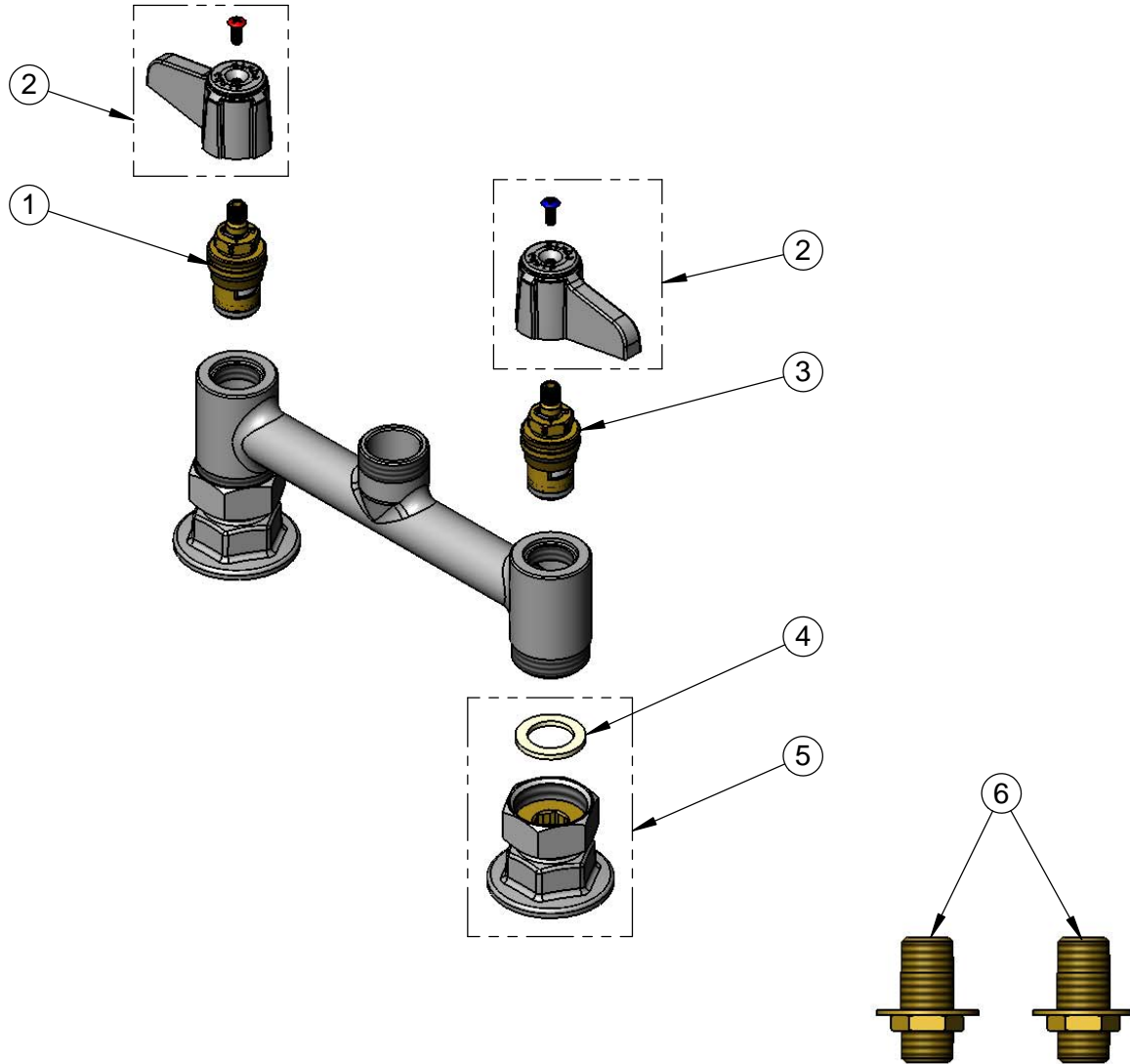
equip
Foodservice
Accessories



by 

2 Saddleback Cove, P.O. Box 1088
Travelers Rest, South Carolina 29690
Phone: 800.891.4808 Fax: 800.868.0084
equip.tsbrass.com

ITEM NO.	SALES NO.	DESCRIPTION
1	013787-45	equip Ceramic Cartridge, RTC
2	5-HDL-L	equip Lever Handle w/ Color Coded Screws
3	013788-45	equip Ceramic Cartridge, LTC
4	001019-45	Coupling Nut Washer
5	00AA	1/2" NPT Female Eccentric Flange
6	B-0425-M	1/2" NPT Supply Nipple Kit (2)



Model Number

5F-7DLS00

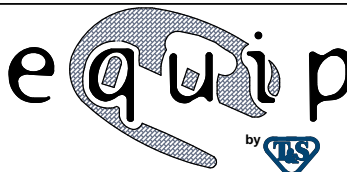
Product Specifications:

7" Deck Mount Mixing Faucet, Less Nozzle, Ceramic Cartridges, equip Lever Handles & 1/2" NPT Supply Nipple Kit

Product Compliance:

ASME A112.18.1 / CSA B125.1
 NSF 61 - Section 9
 NSF 372 (Low Lead Content)
 ANSI A117.1 (ADA)

equip
 Foodservice
 Accessories



2 Saddleback Cove, P.O. Box 1088
 Travelers Rest, South Carolina 29690
 Phone: 800.891.4808 Fax: 800.868.0084
 equip.tsbrass.com