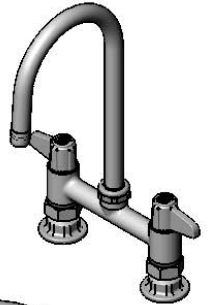



ADA Compliant

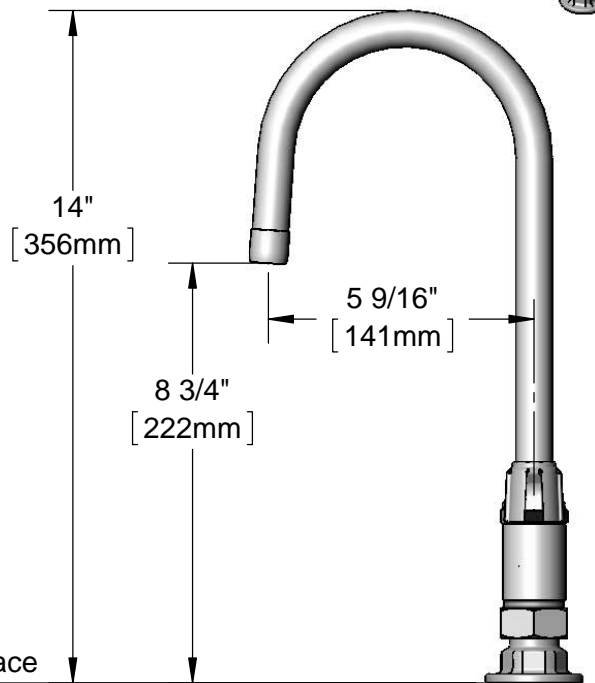
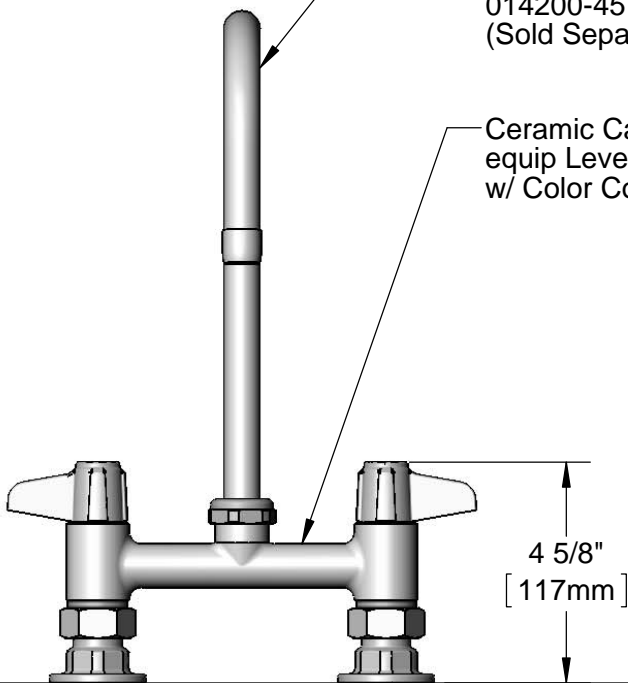
This Space for Architect/Engineer Approval

Job Name _____ Date _____
 Model Specified _____ Quantity _____
 Customer/Wholesaler _____
 Contractor _____
 Architect/Engineer _____



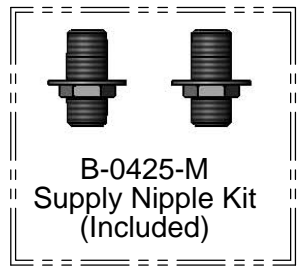
5SP-05
 5 1/2" equip Swivel Gooseneck
 w/ Laminar Flow Device.
 Rigid Conversion Requires
 014200-45 Lock Washer
 (Sold Separately)

Ceramic Cartridges &
 equip Lever Handles
 w/ Color Coded Screws



6" [152mm]
 Adjustable from
 5 3/4" to 6 1/4"
 [146mm to 159mm]

Ø 2" [51mm]
 Flanges w/
 1/2" NPT
 Female Inlets



Rough-In Requirement:
 (2) Ø 1" [25mm] Mounting Holes

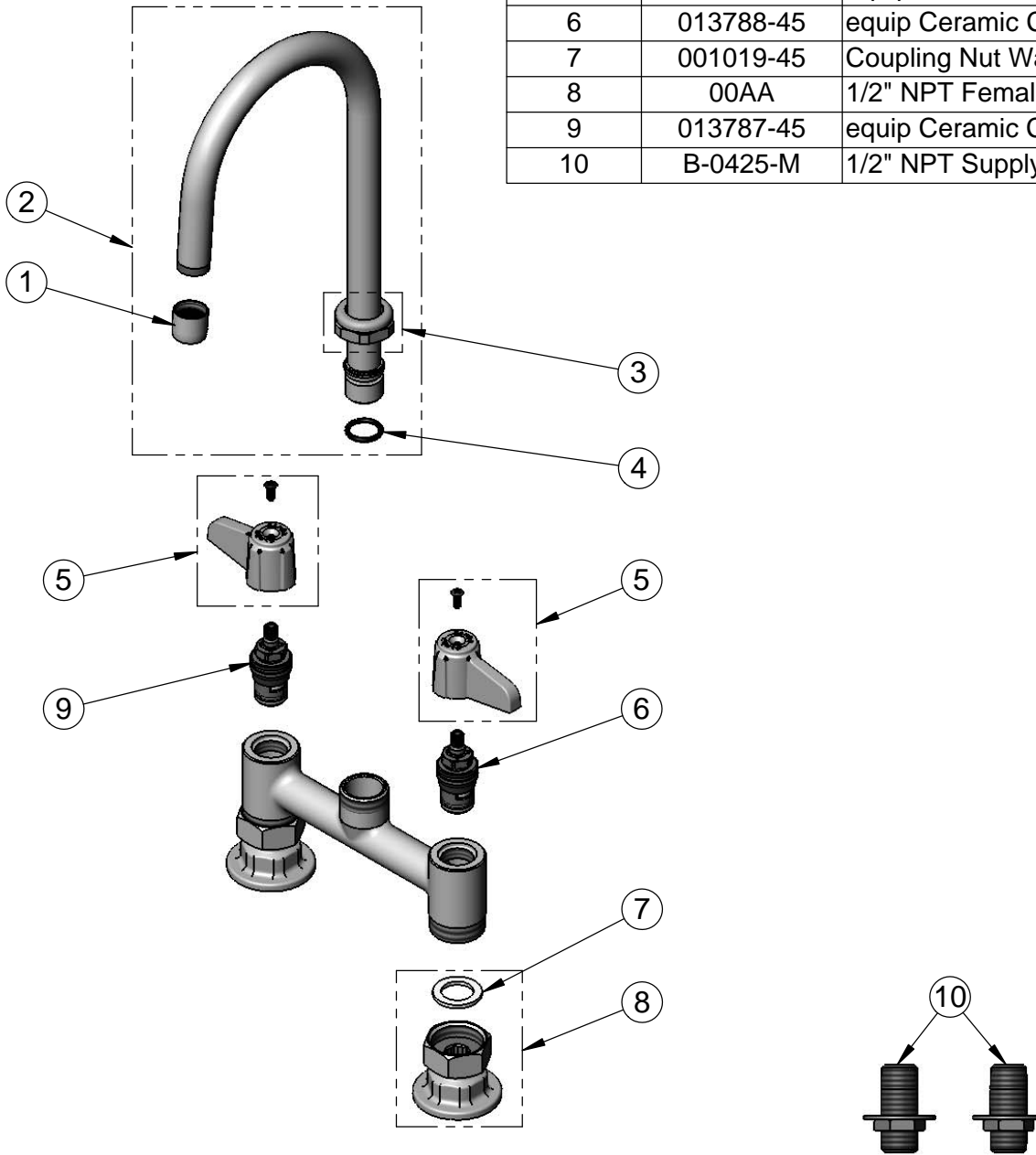
Model Number 5F-6DLS05	Date 12/09/13	Scale 1:4	Drawn KJG	Checked JRM	Approved JHB
----------------------------------	-------------------------	---------------------	---------------------	-----------------------	------------------------



Product Specifications:
**6" Deck Mount Mixing Faucet w/ Ceramic Cartridges,
 equip Lever Handles, 5 1/2" equip Swivel Gooseneck
 & 1/2" NPT Supply Nipple Kit**

equip Foodservice Accessories
 2 Saddleback Cove, P.O. Box 1088
 Travelers Rest, South Carolina 29690
 Phone: 800.891.4808 Fax: 800.868.0084

ITEM NO.	SALES NO.	DESCRIPTION
1	014250-45	Laminar Flow Device
2	5SP-05	5 1/2" equip Swivel Gooseneck
3	013839-45	equip Swivel Nut
4	013848-45	equip Swivel Piece O-Ring
5	5-HDL-L	equip Lever Handle w/ Color Coded Screws
6	013788-45	equip Ceramic Cartridge, LTC
7	001019-45	Coupling Nut Washer
8	00AA	1/2" NPT Female Eccentric Flange
9	013787-45	equip Ceramic Cartridge, RTC
10	B-0425-M	1/2" NPT Supply Nipple Kit (2)



Model Number 5F-6DLS05	Date 12/09/13	Scale NTS	Drawn KJG	Checked JRM	Approved JHB
---------------------------	------------------	--------------	--------------	----------------	-----------------



Product Specifications:

**6" Deck Mount Mixing Faucet w/ Ceramic Cartridges,
equip Lever Handles, 5 1/2" equip Swivel Gooseneck
& 1/2" NPT Supply Nipple Kit**

equip Foodservice Accessories
2 Saddleback Cove, P.O. Box 1088
Travelers Rest, South Carolina 29690
Phone: 800.891.4808 Fax: 800.868.0084