



**ADA Compliant**

*This Space for Architect/Engineer Approval*

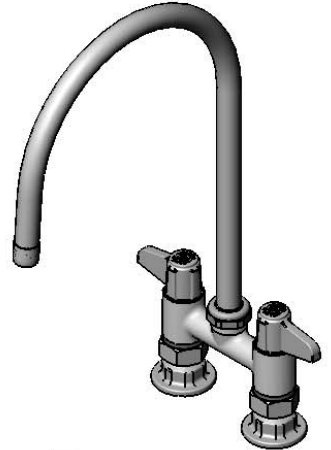
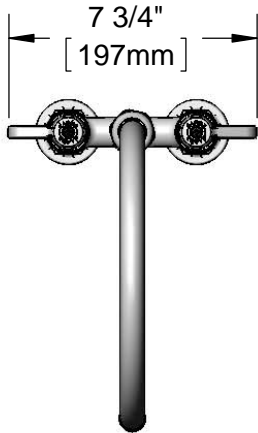
Job Name \_\_\_\_\_ Date \_\_\_\_\_

Model Specified \_\_\_\_\_ Quantity \_\_\_\_\_

Customer/Wholesaler \_\_\_\_\_

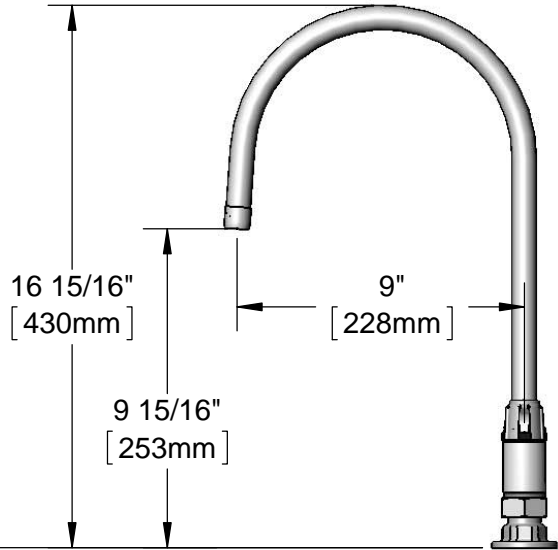
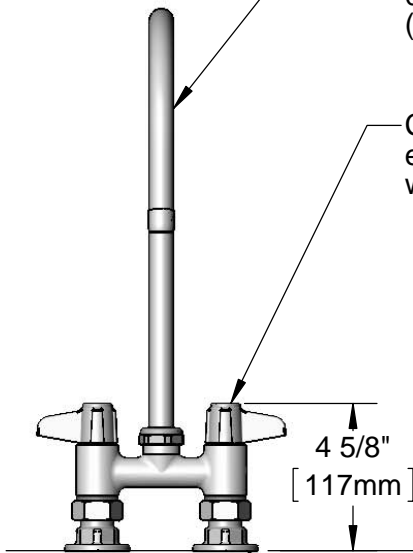
Contractor \_\_\_\_\_

Architect/Engineer \_\_\_\_\_



5SP-09  
9" equip Swivel Gooseneck  
w/ Laminar Flow Device.  
Rigid Conversion Requires  
014200-45 Lock Washer  
(Sold Separately)

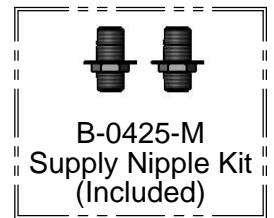
Ceramic Cartridges &  
equip Lever Handles  
w/ Color Coded Screws



Mounting Surface

4" [102mm]  
Adjustable from  
3 3/4" to 4 1/4"  
[95mm to 108mm]

Ø 2" [51mm]  
Flanges w/  
1/2" NPT  
Female Inlets



Rough-In Requirement:  
(2) Ø 1" [25mm] Mounting Holes

|                                  |                         |                     |                     |                       |                        |
|----------------------------------|-------------------------|---------------------|---------------------|-----------------------|------------------------|
| Model Number<br><b>5F-4DLS09</b> | Date<br><b>12/09/13</b> | Scale<br><b>1:6</b> | Drawn<br><b>KJG</b> | Checked<br><b>JRM</b> | Approved<br><b>JHB</b> |
|----------------------------------|-------------------------|---------------------|---------------------|-----------------------|------------------------|

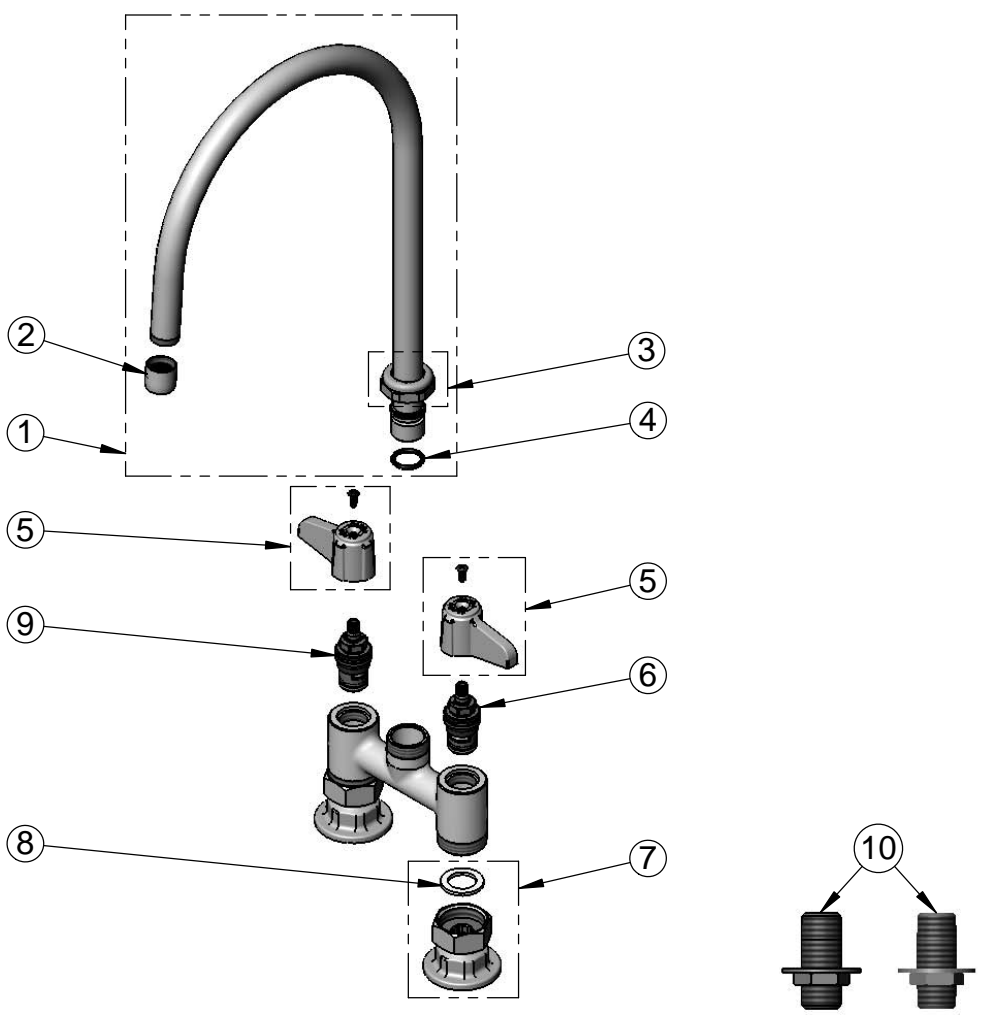


Product Specifications:

**4" Deck Mount Mixing Faucet w/ Ceramic Cartridges,  
equip Lever Handles, 9" equip Swivel Gooseneck  
& 1/2" NPT Supply Nipple Kit**

equip Foodservice Accessories  
2 Saddleback Cove, P.O. Box 1088  
Travelers Rest, South Carolina 29690  
Phone: 800.891.4808 Fax: 800.868.0084

| ITEM NO. | SALES NO. | DESCRIPTION                              |
|----------|-----------|--|
| 1        | 5SP-09    | 9" equip Swivel Gooseneck                |
| 2        | 014250-45 | Laminar Flow Device                      |
| 3        | 013839-25 | equip Swivel Nut                         |
| 4        | 013848-45 | equip Swivel Piece O-ring                |
| 5        | 5-HDL-L   | equip Lever Handle w/ Color Coded Screws |
| 6        | 013788-45 | equip Ceramic Cartridge, LTC             |
| 7        | 00AA      | 1/2" NPT Female Eccentric Flange         |
| 8        | 001019-45 | Coupling Nut Washer                      |
| 9        | 013787-45 | equip Ceramic Cartridge, RTC             |
| 10       | B-0425-M  | 1/2" NPT Supply Nipple Kit (2)           |



|                           |                  |              |              |                |                 |
|---------------------------|------------------|--------------|--------------|----------------|-----------------|
| Model Number<br>5F-4DLS09 | Date<br>12/09/13 | Scale<br>NTS | Drawn<br>KJG | Checked<br>JRM | Approved<br>JHB |
|---------------------------|------------------|--------------|--------------|----------------|-----------------|

|   |   |
|---|---|
|  | <b>Product Specifications:</b><br><b>4" Deck Mount Mixing Faucet w/ Ceramic Cartridges,<br/> equip Lever Handles, 9" equip Swivel Gooseneck<br/> &amp; 1/2" NPT Supply Nipple Kit</b> |
|   | equip Foodservice Accessories<br>2 Saddleback Cove, P.O. Box 1088<br>Travelers Rest, South Carolina 29690<br>Phone: 800.891.4808 Fax: 800.868.0084                                    |