



ADA Compliant

This Space for Architect/Engineer Approval

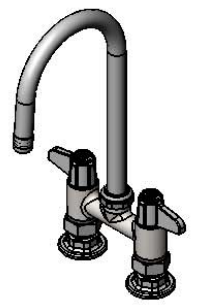
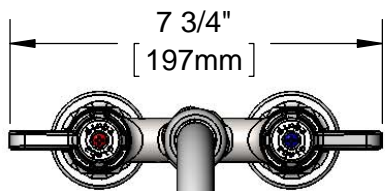
Job Name _____ Date _____

Model Specified _____ Quantity _____

Customer/Wholesaler _____

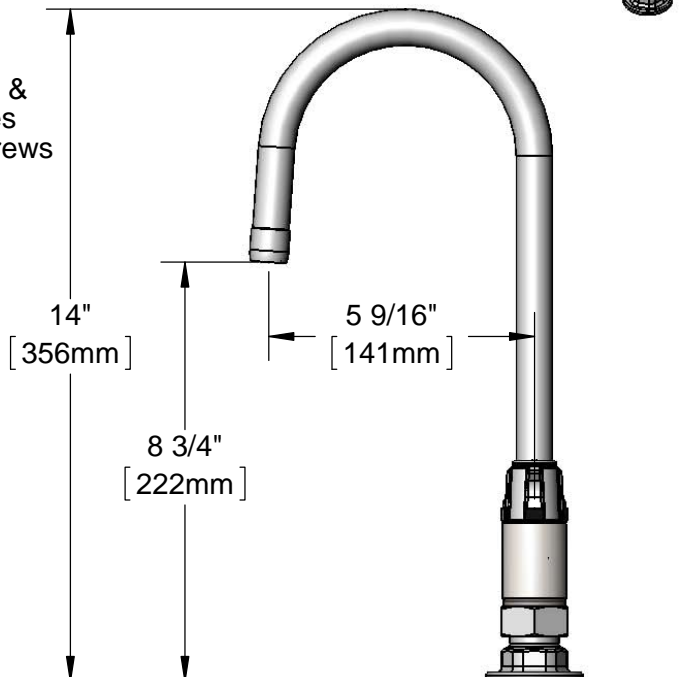
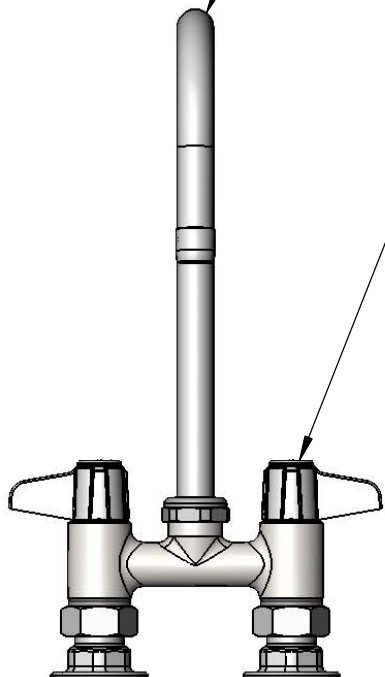
Contractor _____

Architect/Engineer _____



5SP-05
5 1/2" equip Swivel Gooseneck
w/ Laminar Flow Device.
Rigid Conversion Requires
014200-45 Lock Washer
(Sold Separately)

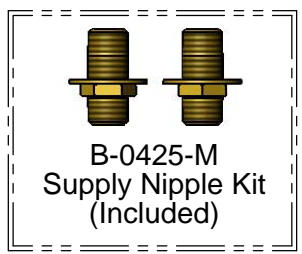
Ceramic Cartridges &
equip Lever Handles
w/ Color Coded Screws



Mounting Surface

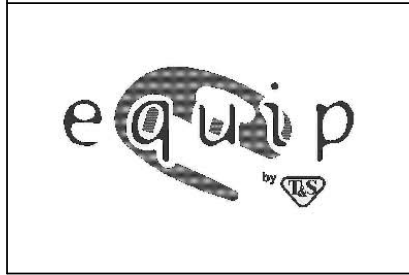
4"
[102mm]
Adjustable from
3 3/4" to 4 1/4"
[95mm to 108mm]

Ø 2" [51mm]
Flanges w/
1/2" NPT
Female Inlets



Rough-In Requirement:
(2) Ø 1" [25mm] Mounting Holes

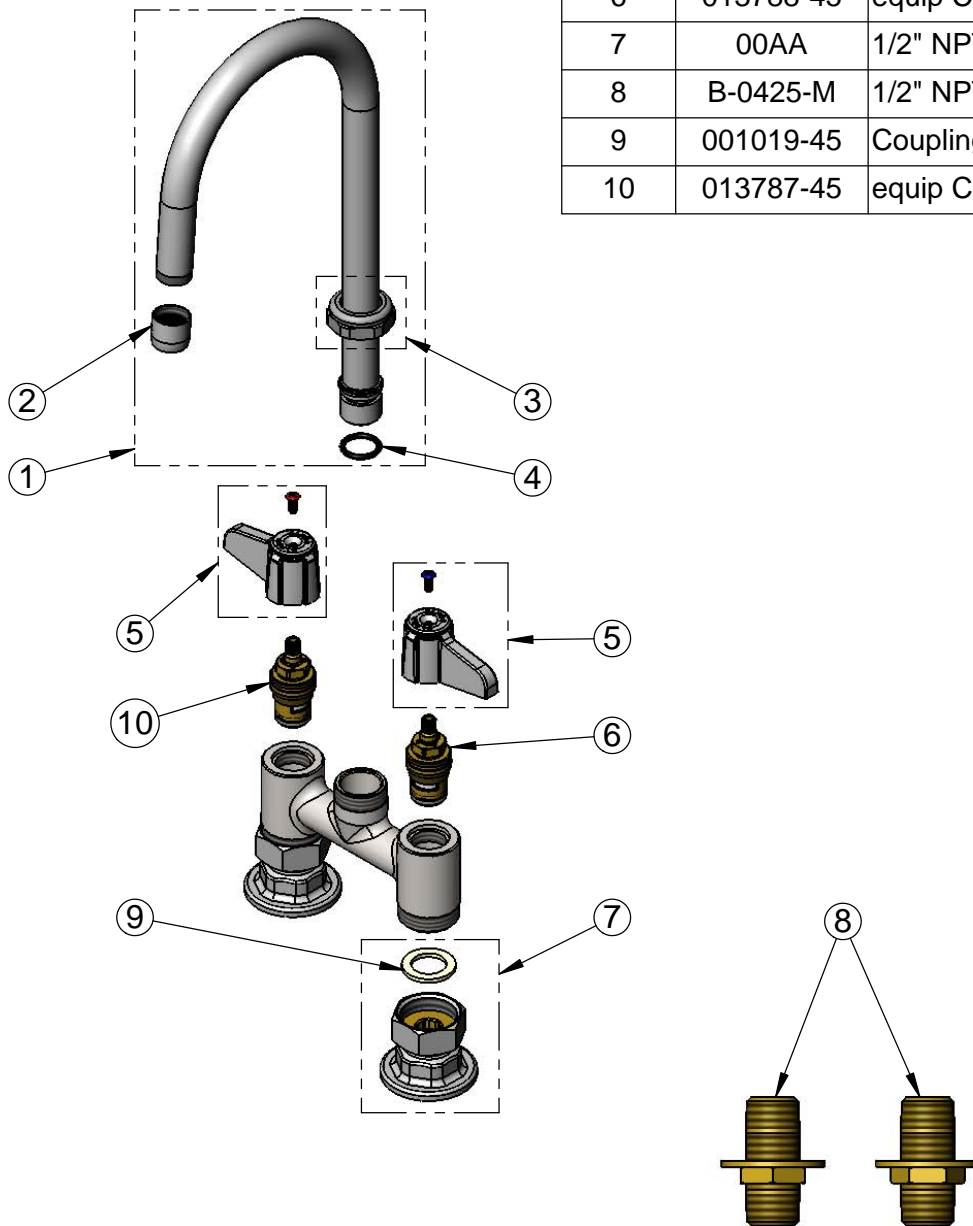
Model Number 5F-4DLS05	Date 06/05/12	Scale 1:4	Drawn DHL	Checked DMH	Approved JHB
----------------------------------	-------------------------	---------------------	---------------------	-----------------------	------------------------



Product Specifications:
**4" Deck Mount Mixing Faucet w/ Ceramic Cartridges,
 equip Lever Handles, 5 1/2" equip Swivel Gooseneck
 & 1/2" NPT Supply Nipple Kit**

equip Foodservice Accessories
 2 Saddleback Cove, P.O. Box 1088
 Travelers Rest, South Carolina 29690
 Phone: 800.891.4808 Fax: 800.868.0084

ITEM NO.	SALES NO.	DESCRIPTION
1	5SP-05	5 1/2" equip Swivel Gooseneck
2	014250-45	Laminar Flow Device
3	013839-25	equip Swivel Nut
4	013848-45	equip Swivel Piece O-Ring
5	5-HDL-L	equip Lever Handle w/ Color Coded Screws
6	013788-45	equip Ceramic Cartridge, LTC
7	00AA	1/2" NPT Inlet Flange
8	B-0425-M	1/2" NPT Supply Nipple (2)
9	001019-45	Coupling Nut Washer
10	013787-45	equip Ceramic Cartridge, RTC



Model Number
5F-4DLS05

Date
06/05/12

Scale
NTS

Drawn
DHL

Checked
DMH

Approved
JHB



Product Specifications:

**4" Deck Mount Mixing Faucet w/ Ceramic Cartridges,
equip Lever Handles, 5 1/2" equip Swivel Gooseneck
& 1/2" NPT Supply Nipple Kit**

equip Foodservice Accessories
2 Saddleback Cove, P.O. Box 1088
Travelers Rest, South Carolina 29690
Phone: 800.891.4808 Fax: 800.868.0084