



ADA Compliant

This Space for Architect/Engineer Approval

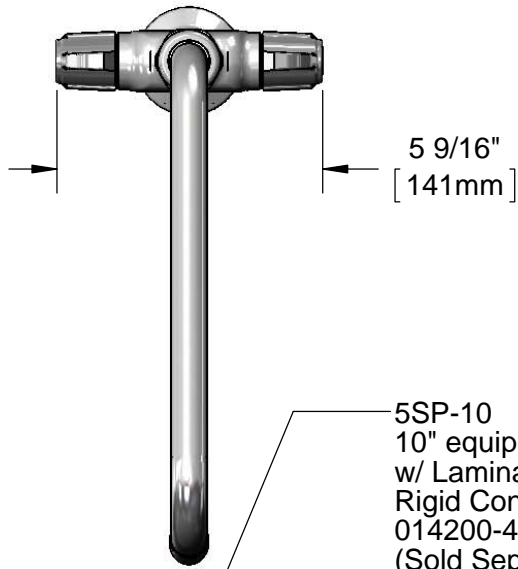
Job Name _____ Date _____

Model Specified _____ Quantity _____

Customer/Wholesaler _____

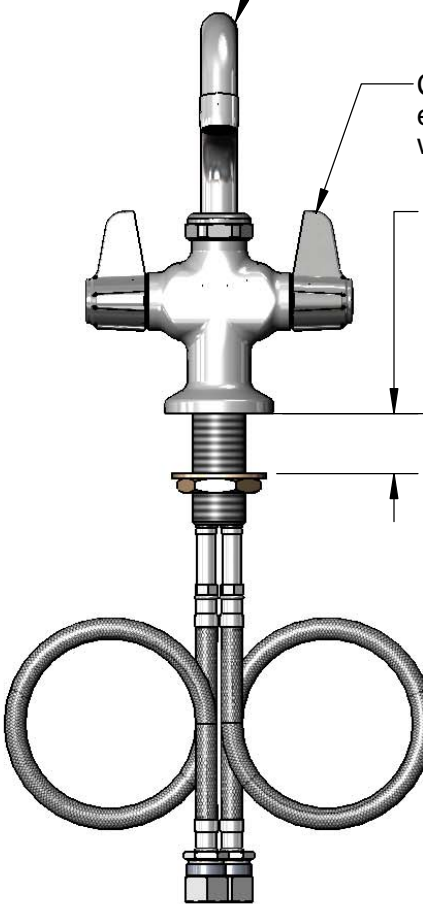
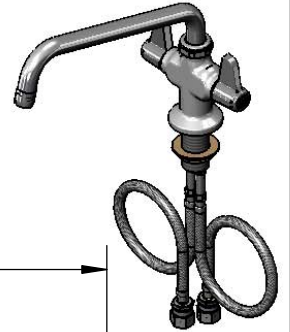
Contractor _____

Architect/Engineer _____



5 9/16"
[141mm]

5SP-10
10" equip Swing Nozzle
w/ Laminar Flow Device.
Rigid Conversion Requires
014200-45 Lock Washer
(Sold Separately)



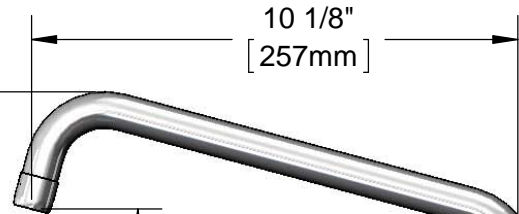
Ceramic Cartridges &
equip Lever Handles
w/ Color Coded Screws

1 1/4"
[32mm]
Maximum
Thickness

Mounting Surface

8 3/8"
[212mm]

5 15/16"
[150mm]



10 1/8"
[257mm]

Ø 2 1/4"
[57mm]

Ø 1 1/8"
[29mm]
Shank

18" Long Flexible
Stainless Steel
Supply Hoses

Compression Fittings for
5/8" O.D. Copper Tubing
(Remove Compression Nut
for 1/2" NPSM Male)

Rough-In Requirement:
Ø 1 1/2" [38mm] Mounting Hole

Model Number

5F-2SLX10

Product Specifications:

Single Hole Deck Mount Mixing Faucet w/ Ceramic Cartridges,
equip Lever Handles, 10" equip Swing Nozzle
& 18" Flexible Inlets

Product Compliance:

ASME A112.18.1 / CSA B125.1
NSF 61 - Section 9
NSF 372 (Low Lead Content)
ANSI A117.1 (ADA)

equip
Foodservice
Accessories



2 Saddleback Cove, P.O. Box 1088
Travelers Rest, South Carolina 29690
Phone: 800.891.4808 Fax: 800.868.0084
equip.tsbrass.com

Drawn: KJG

Checked: DMH

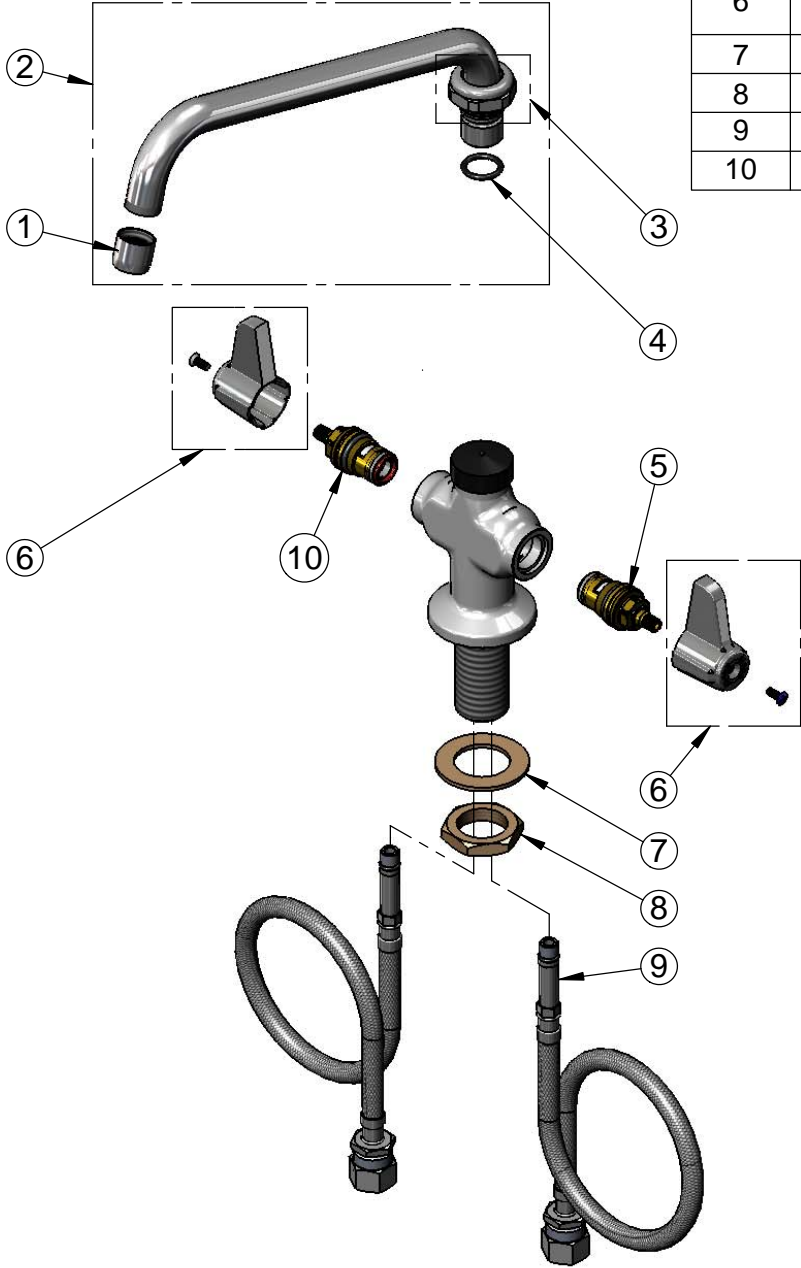
Approved: JHB

Date: 07/02/14

Scale: 1:4

Sheet: 1 of 2

ITEM NO.	SALES NO.	DESCRIPTION
1	014250-45	Laminar Flow Device
2	5SP-10	10" equip Swing Nozzle
3	013839-25	equip Swivel Nut
4	013848-45	equip Swivel Piece O-Ring
5	013788-45	equip Ceramic Cartridge, LTC
6	5-HDL-L	equip Lever Handle w/ Color Coded Screws
7	002290-45	Lock Washer
8	000965-45	Lock Nut
9	012534-45	18" Flexible Supply Hose (2)
10	013787-45	equip Ceramic Cartridge, RTC



Model Number
5F-2SLX10

Product Compliance:
ASME A112.18.1 / CSA B125.1
NSF 61 - Section 9
NSF 372 (Low Lead Content)
ANSI A117.1 (ADA)

Product Specifications:
**Single Hole Deck Mount Mixing Faucet w/ Ceramic Cartridges,
equip Lever Handles, 10" equip Swing Nozzle
& 18" Flexible Inlets**

equip
Foodservice
Accessories



2 Saddleback Cove, P.O. Box 1088
Travelers Rest, South Carolina 29690
Phone: 800.891.4808 Fax: 800.868.0084
equip.tsbrass.com