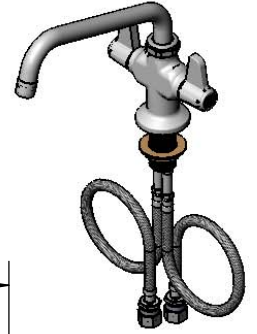


ADA Compliant

This Space for Architect/Engineer Approval

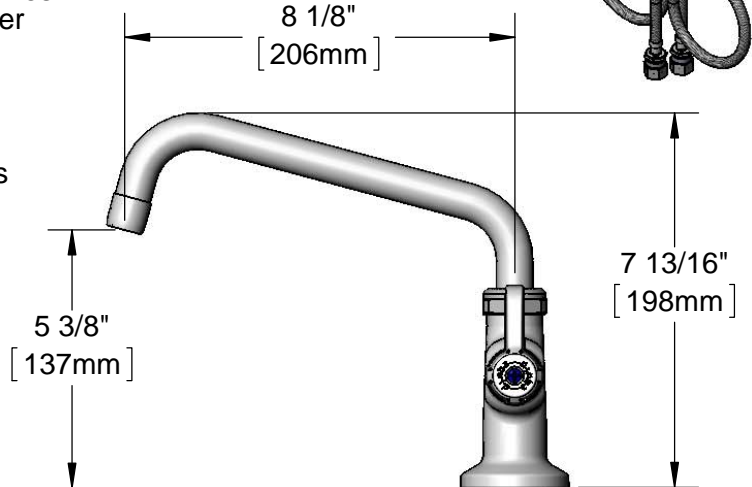
Job Name _____ Date _____
 Model Specified _____ Quantity _____
 Customer/Wholesaler _____
 Contractor _____
 Architect/Engineer _____



5SP-08
 8" Swing Nozzle
 w/ Full Flow Laminar Device.
 Rigid Conversion Requires
 014200-45 Lock Washer
 (Sold Separately)

Ceramic Cartridges
 & equip Lever Handles
 w/ Color Coded Screws

1 1/4"
 [32mm]
 Maximum
 Thickness



Mounting Surface

7 13/16"
 [198mm]

5 3/8"
 [137mm]

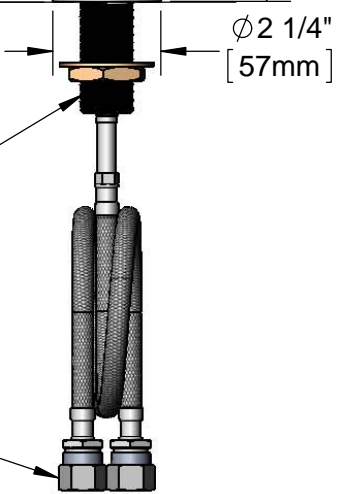
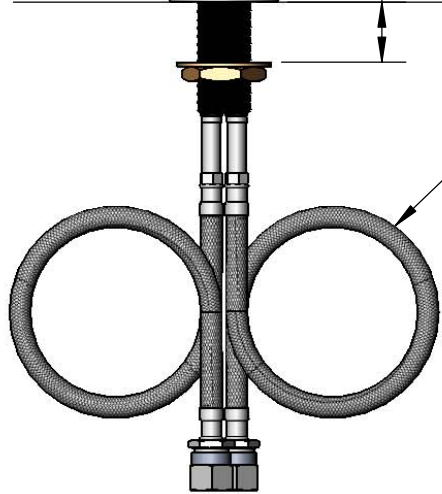
8 1/8"
 [206mm]

Ø 2 1/4"
 [57mm]

18" Long Flexible
 Stainless Steel
 Supply Hose

Ø 1 1/8"
 [29mm]
 Shank

Compression Fittings for
 5/8" O.D. Copper Tubing
 (Remove Compression Nut
 for 1/2" NPSM Male)



Rough-In Requirement
 Ø 1 1/2" [38mm] Mounting Hole

Model Number 5F-2SLX08	Date 01/09/13	Scale 1:4	Drawn KJG	Checked DMH	Approved JHB
----------------------------------	-------------------------	---------------------	---------------------	-----------------------	------------------------

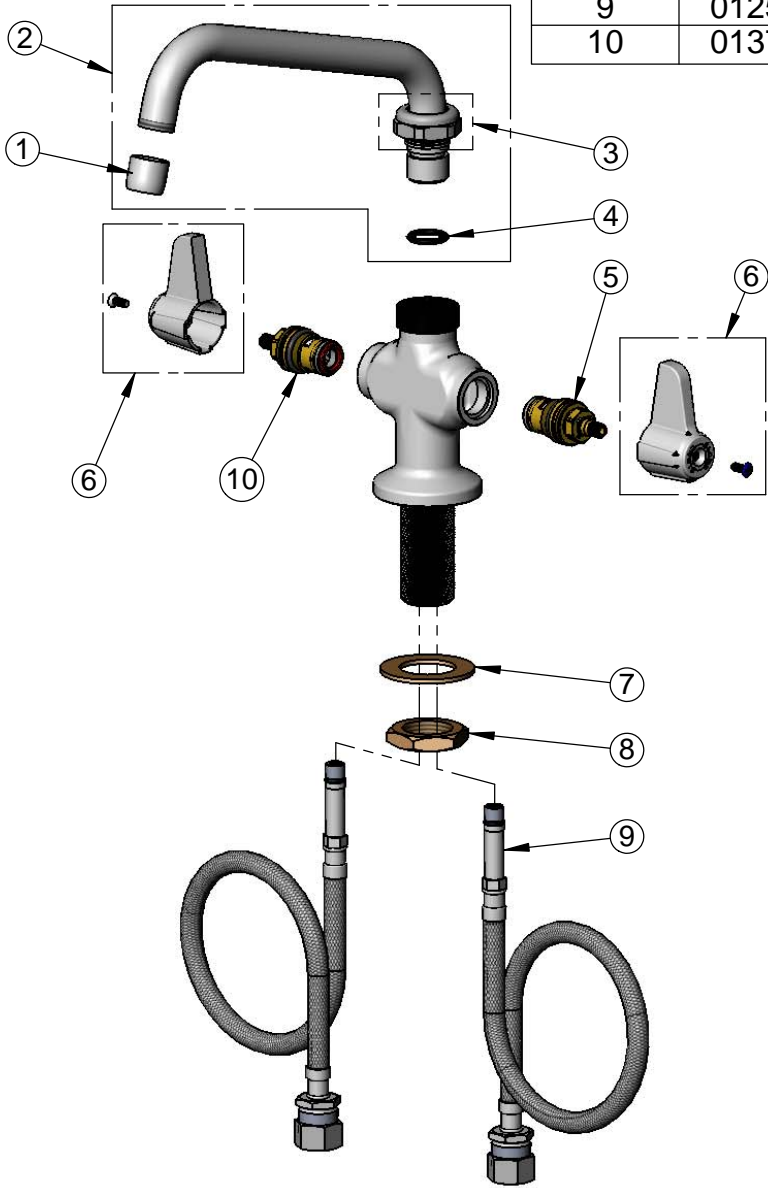
Product Specifications:

**Single Hole Deck Mount Mixing Faucet w/ Ceramic Cartridges,
 equip Lever Handles, 8" equip Swing Nozzle & 18" Flexible Inlets**



equip Foodservice Accessories
 2 Saddleback Cove, P.O. Box 1088
 Travelers Rest, South Carolina 29690
 Phone: 800.891.4808 Fax: 800.868.0084

ITEM NO.	SALES NO.	DESCRIPTION
1	014250-45	Full Flow Laminar Device
2	5SP-08	8" equip Swing Nozzle
3	013839-25	equip Swivel Nut
4	013848-45	equip Swivel Piece O-ring
5	013788-45	equip Ceramic Cartridge, (LTC)
6	5-HDL-L	equip Lever Handle w/ Color Coded Screws
7	002290-45	Lock Washer
8	000965-45	Lock Nut
9	012534-45	Flexible Connector Hose (2)
10	013787-45	equip Ceramic Cartridge, (RTC)



Model Number 5F-2SLX08	Date 01/09/13	Scale NTS	Drawn KJG	Checked DMH	Approved JHB
----------------------------------	-------------------------	---------------------	---------------------	-----------------------	------------------------



Product Specifications:
**Single Hole Deck Mount Mixing Faucet w/ Ceramic Cartridges,
equip Lever Handles, 8" equip Swing Nozzle & 18" Flexible Inlets**

equip Foodservice Accessories
2 Saddleback Cove, P.O. Box 1088
Travelers Rest, South Carolina 29690
Phone: 800.891.4808 Fax: 800.868.0084