



ADA Compliant

This Space for Architect/Engineer Approval

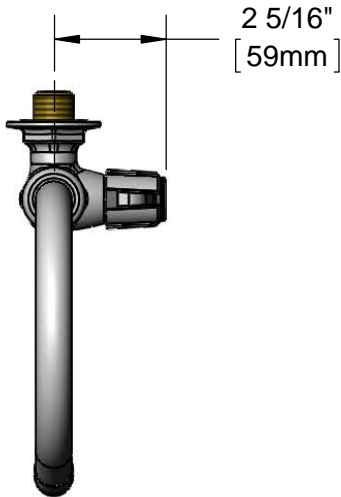
Job Name _____ Date _____

Model Specified _____ Quantity _____

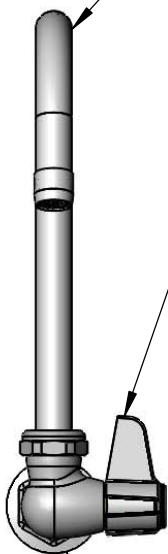
Customer/Wholesaler _____

Contractor _____

Architect/Engineer _____

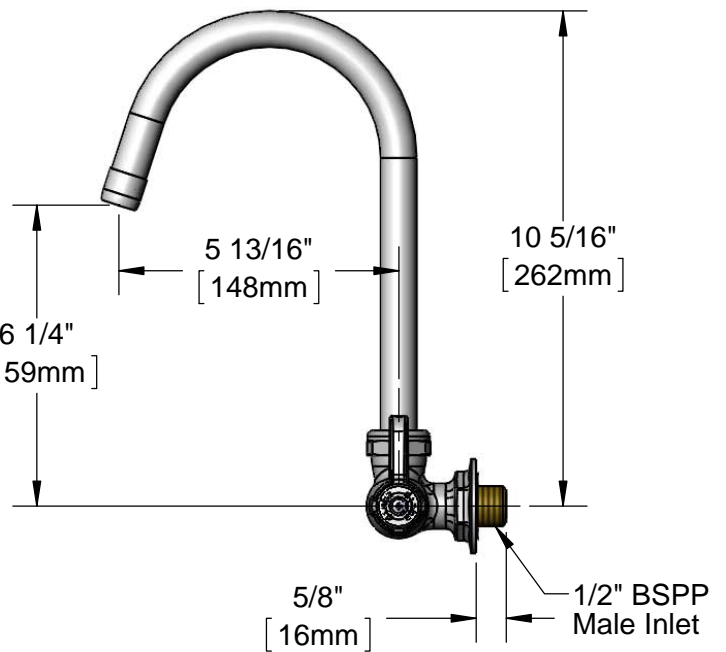


5SP-05C
equip 5 13/16" Swivel Gooseneck
w/ Laminar Flow Device.
Rigid Conversion Requires
014200-45 Lock Washer
(Sold Separately)



Ceramic Cartridge w/
equip Lever Handle

Ø 1 15/16"
[50mm]



Model Number
5F-1WLB05C

Date
03/21/14

Scale
1:4

Drawn
DMH

Checked
GEF

Approved
JHB

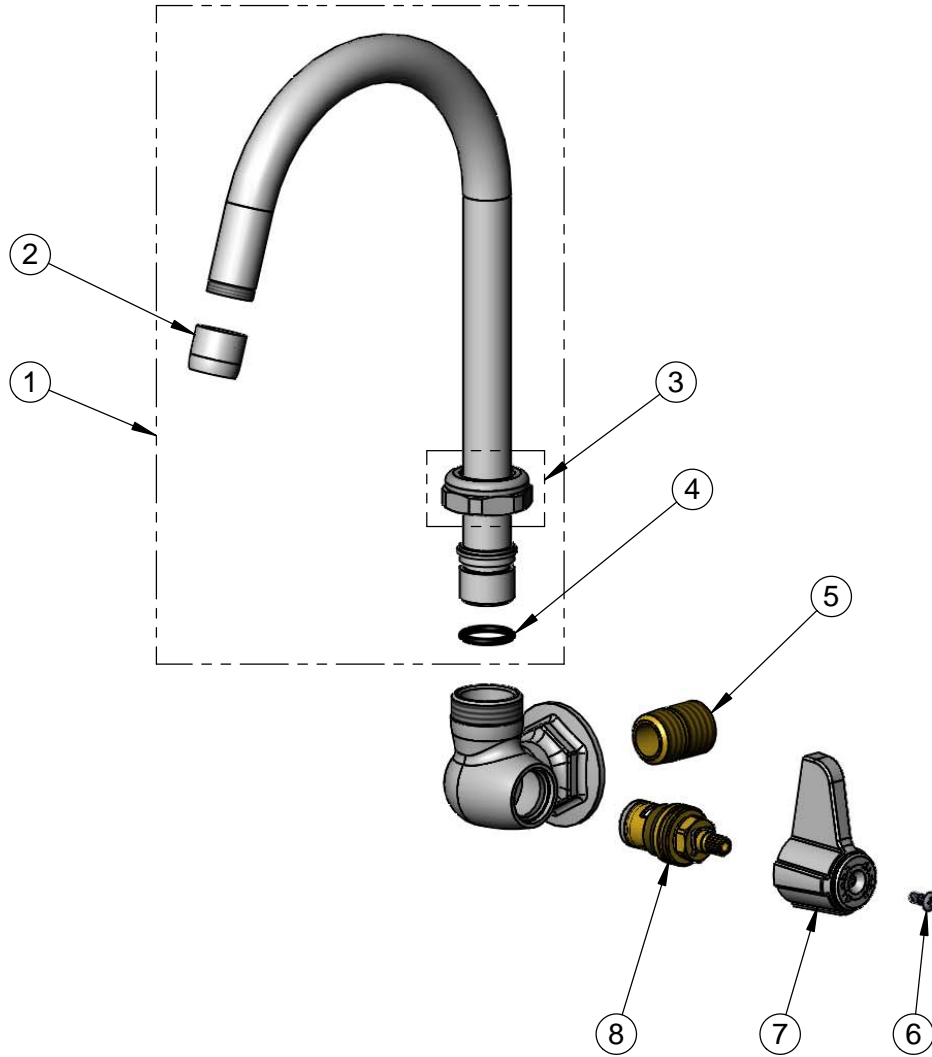
Product Specifications:

**Single Supply Wall Mount Faucet w/ Ceramic Cartridge,
Lever Handle, 5 13/16" Swivel Gooseneck & 1/2" BSPP Male Inlet**



equip Foodservice Accessories
2 Saddleback Cove, P.O. Box 1088
Travelers Rest, South Carolina 29690
Phone: 800.891.4808 Fax: 800.868.0084

ITEM NO.	SALES NO.	DESCRIPTION
1	5SP-05C	5 13/16" equip Swivel Gooseneck
2	014250-45	Laminar Full Flow Outlet Device
3	013839-25	Swivel Nut
4	013848-45	Swivel O-Ring (10)
5	019047-45	Supply Nipple, 1/2" NPT x 1/2" BSPP
6	013849-45	Handle Screw
7	5-HDL-L	equip Lever Handle
8	013787-45	equip Ceramic Cartridge, RTC



Model Number 5F-1WLB05C	Date 03/21/14	Scale NTS	Drawn DMH	Checked GEF	Approved JHB
-----------------------------------	-------------------------	---------------------	---------------------	-----------------------	------------------------



Product Specifications:
**Single Supply Wall Mount Faucet w/ Ceramic Cartridge,
 Lever Handle, 5 13/16" Swivel Gooseneck & 1/2" BSPP Male Inlet**

equip Foodservice Accessories
 2 Saddleback Cove, P.O. Box 1088
 Travelers Rest, South Carolina 29690
 Phone: 800.891.4808 Fax: 800.868.0084