

*This Space for Architect/Engineer Approval*

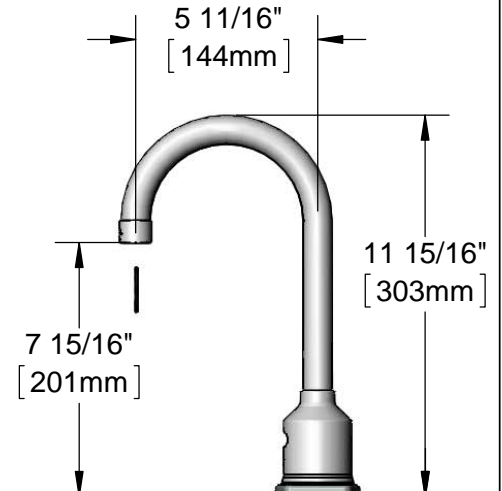
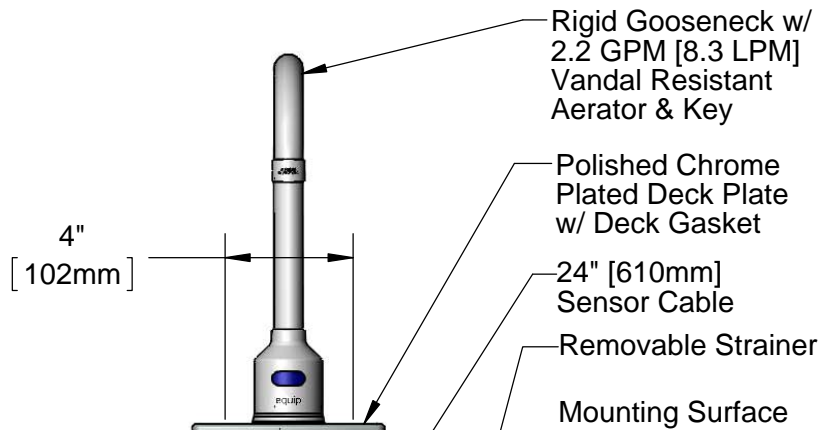
Job Name \_\_\_\_\_ Date \_\_\_\_\_

Model Specified \_\_\_\_\_ Quantity \_\_\_\_\_

Customer/Wholesaler \_\_\_\_\_

Contractor \_\_\_\_\_

Architect/Engineer \_\_\_\_\_



1/2" NPSM x 1/4" NPSM  
18" [457mm] Flexible  
Stainless Steel Hose

Mechanical Mixing Valve  
w/ Integral Check Valves

Rough-In Requirement:  
Ø 1" [25mm] Center Hole  
(2) Ø 1 1/8" [28mm] Side Holes

3 5/8" x 4 3/16" x 2" Deep  
[92mm x 106mm x 51mm]  
Control Module Box (White)  
w/ Water Resistant Connections.  
AC or DC Operated w/ (4) AA  
Batteries

100-240 VAC Adapter  
71" [1800mm] Power  
Cord. (Remove Rubber  
Plug on Module and Cable  
to Connect)

(2) 3/8" Compression x 1/2" NPSM  
18" [457mm] Flexible Stainless Steel  
Supply Hose

1 1/2"  
[38mm]  
Maximum  
Thickness

Model Number

**5EF-1D-DG-4DP**

Product Compliance:

ASME A112.18.1 / CSA B125.1  
NSF 61 - Section 9  
NSF 372 (Low Lead Content)  
ANSI A117.1 (ADA)  
UL 1951

Product Specifications:

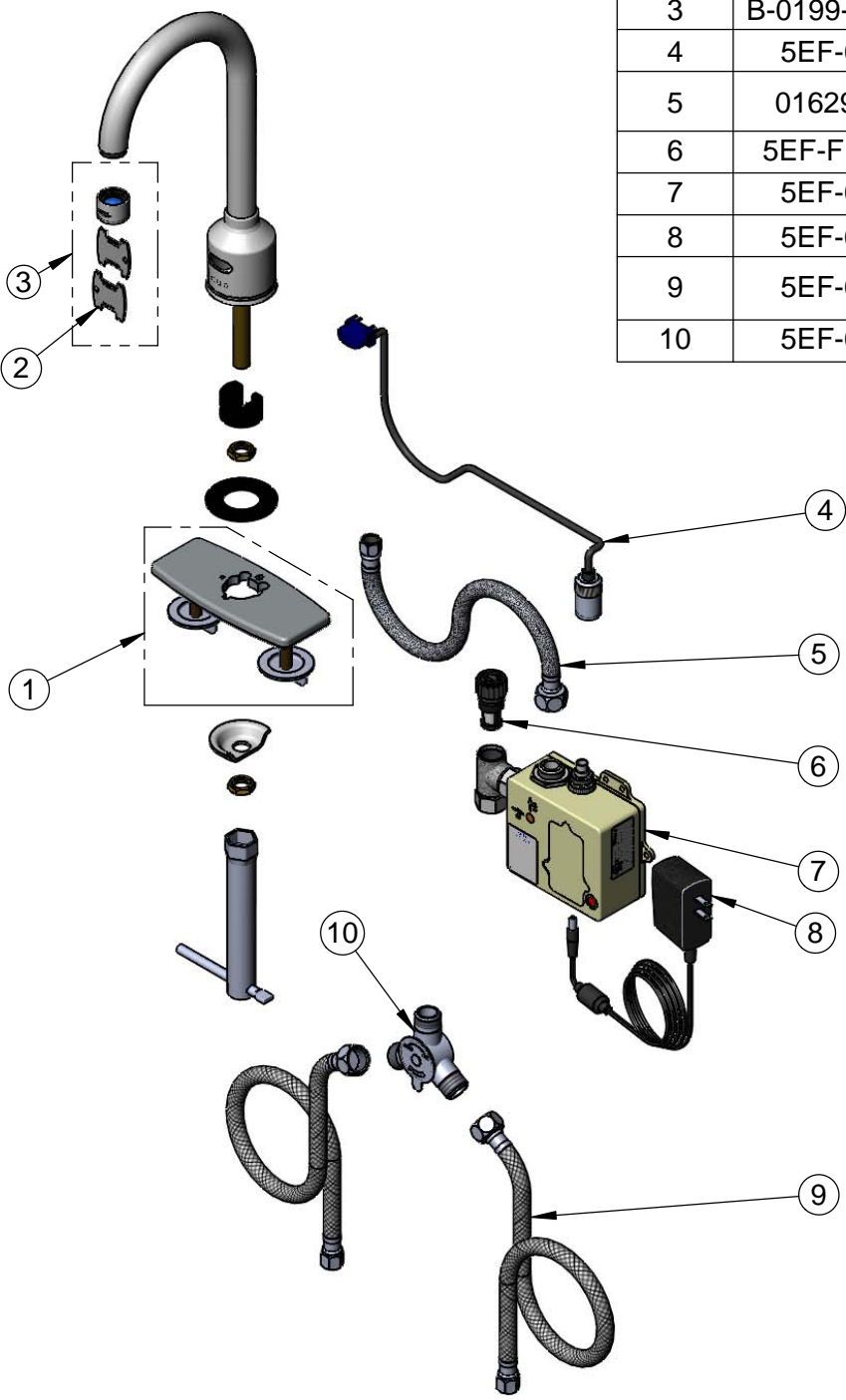
Electronic Deck Mount Faucet, Rigid Gooseneck w/ VR 2.2 GPM Aerator, Temp. Control Mixing Valve w/ Check Valves, 4" c/c Deck Plate, (2) 18" Flexible Supply Hoses & AC-DC Control Module

equip  
Foodservice  
Accessories



2 Saddleback Cove, P.O. Box 1088  
Travelers Rest, South Carolina 29690  
Phone: 800.891.4808 Fax: 800.868.0084  
equip.tsbrass.com

ITEM NO.	SALES NO.	DESCRIPTION
1	013433-40	4" Universal Deck Plate, Gasket & Mounting Hardware
2	015425-45	Vandal Resistant Key
3	B-0199-06-F10	VR Aerator, 1.0 GPM, 55/64-27 Female
4	5EF-0004	24" Sensor Cable
5	016297-45	Inlet Hose, Faucet, 1/2" NPSM-F x 1/4" NPSM-F
6	5EF-FILTER	Replacement Filter
7	5EF-0001	Equip Sensor Faucet Control Module
8	5EF-0002	AC Transformer, 100-240 VAC
9	5EF-0005	Supply Hose, 9/16-24 Female x 1/2" NPSM
10	5EF-0006	Mechanical Mixing Valve



Model Number  
**5EF-1D-DG-4DP**

Product Specifications:  
Electronic Deck Mount Faucet, Rigid Gooseneck w/ VR 2.2 GPM Aerator, Temp. Control Mixing Valve w/ Check Valves, 4" c/c Deck Plate, (2) 18" Flexible Supply Hoses & AC-DC Control Module

Product Compliance:  
ASME A112.18.1 / CSA B125.1  
NSF 61 - Section 9  
NSF 372 (Low Lead Content)  
ANSI A117.1 (ADA)  
UL 1951

equip  
Foodservice  
Accessories



2 Saddleback Cove, P.O. Box 1088  
Travelers Rest, South Carolina 29690  
Phone: 800.891.4808 Fax: 800.868.0084  
equip.tsbrass.com