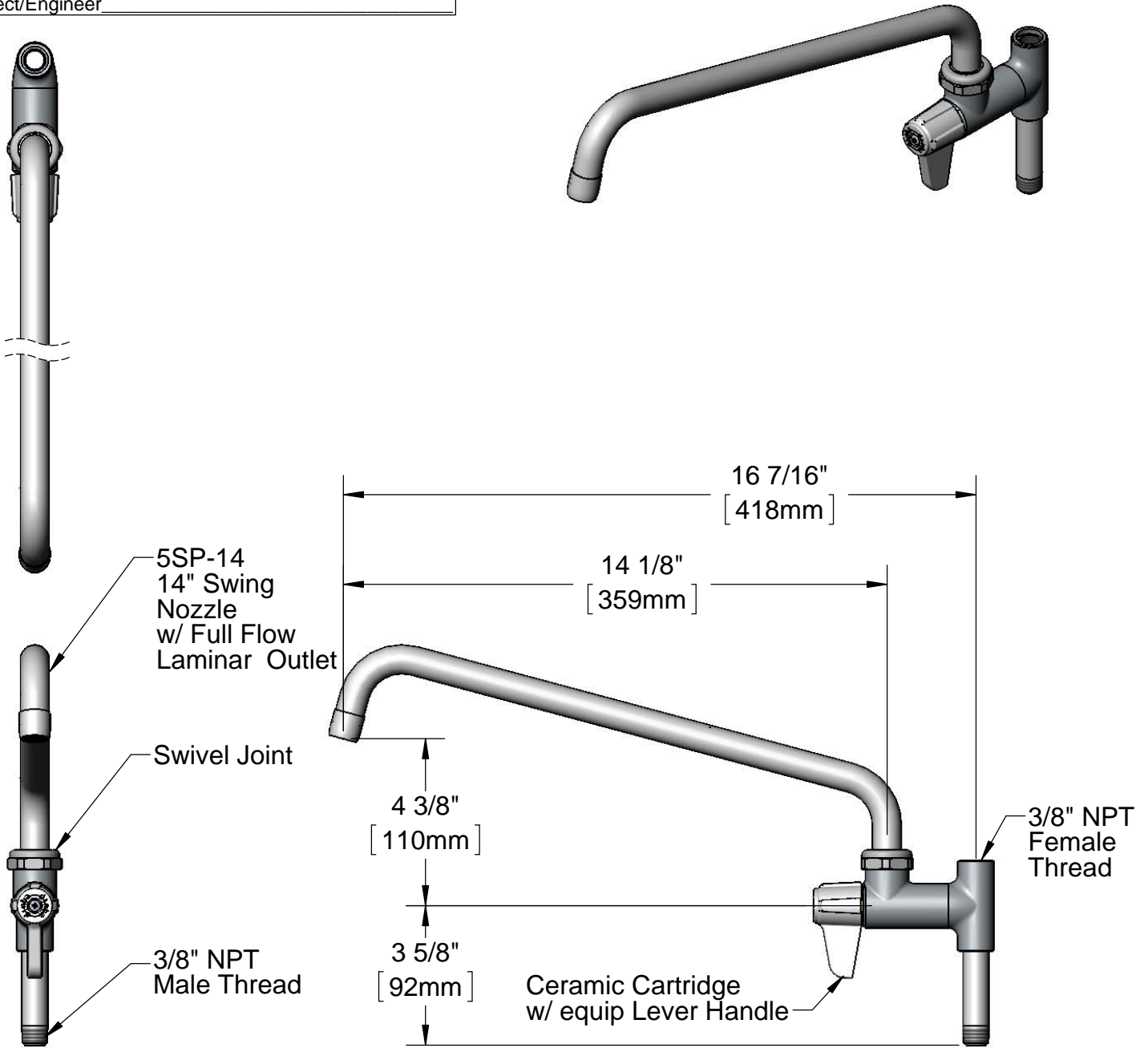


*This Space for Architect/Engineer Approval*

Job Name \_\_\_\_\_ Date \_\_\_\_\_  
 Model Specified \_\_\_\_\_ Quantity \_\_\_\_\_  
 Customer/Wholesaler \_\_\_\_\_  
 Contractor \_\_\_\_\_  
 Architect/Engineer \_\_\_\_\_



**ADA Compliant**



Model Number <b>5AFL14</b>	Date <b>03/27/12</b>	Scale <b>1:4</b>	Drawn <b>DHL</b>	Checked <b>DMH</b>	Approved <b>JHB</b>
-------------------------------	-------------------------	---------------------	---------------------	-----------------------	------------------------

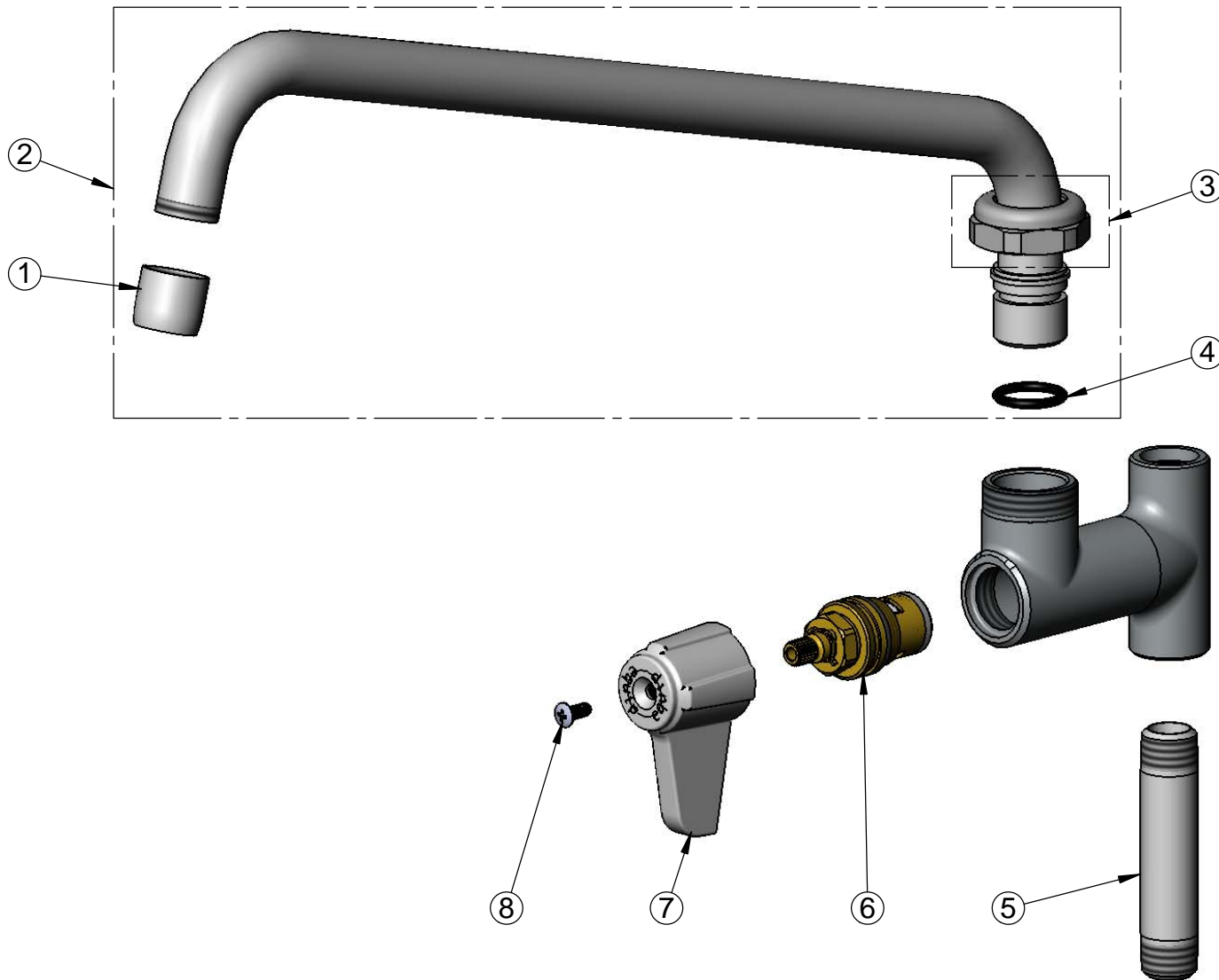
Product Specifications:

**equip Add-On Faucet w/ equip Ceramic Cartridge, 14" Swing Nozzle, & Full Flow Laminar Outlet**



equip Foodservice Accessories  
 2 Saddleback Cove, P.O. Box 1088  
 Travelers Rest, South Carolina 29690  
 Phone: 800.891.4808 Fax: 800.868.0084

ITEM NO.	SALES NO.	DESCRIPTION
1	014250-45	Full Flow Laminar Outlet
2	5SP-14	14" Swing Nozzle Assembly
3	013839-25	Swivel Nut
4	013848-45	O-Ring, Size -014, Nitrile
5	000358-40	Nipple, 3/8" NPT x 3" LG
6	013787-45	Equip Ceramic Crtg (RTC)
7	5-HDL-L	"Equip" Lever Handle
8	013849-45	Lever Handle Screw



Model Number 5AFL14	Date 03/27/12	Scale NTS	Drawn DHL	Checked DMH	Approved JHB
------------------------	------------------	--------------	--------------	----------------	-----------------

Product Specifications:  
**equip Add-On Faucet w/ equip Ceramic Cartridge,  
 14" Swing Nozzle, & Full Flow Laminar Outlet**



equip Foodservice Accessories  
 2 Saddleback Cove, P.O. Box 1088  
 Travelers Rest, South Carolina 29690  
 Phone: 800.891.4808 Fax: 800.868.0084