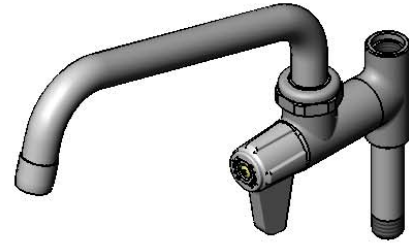
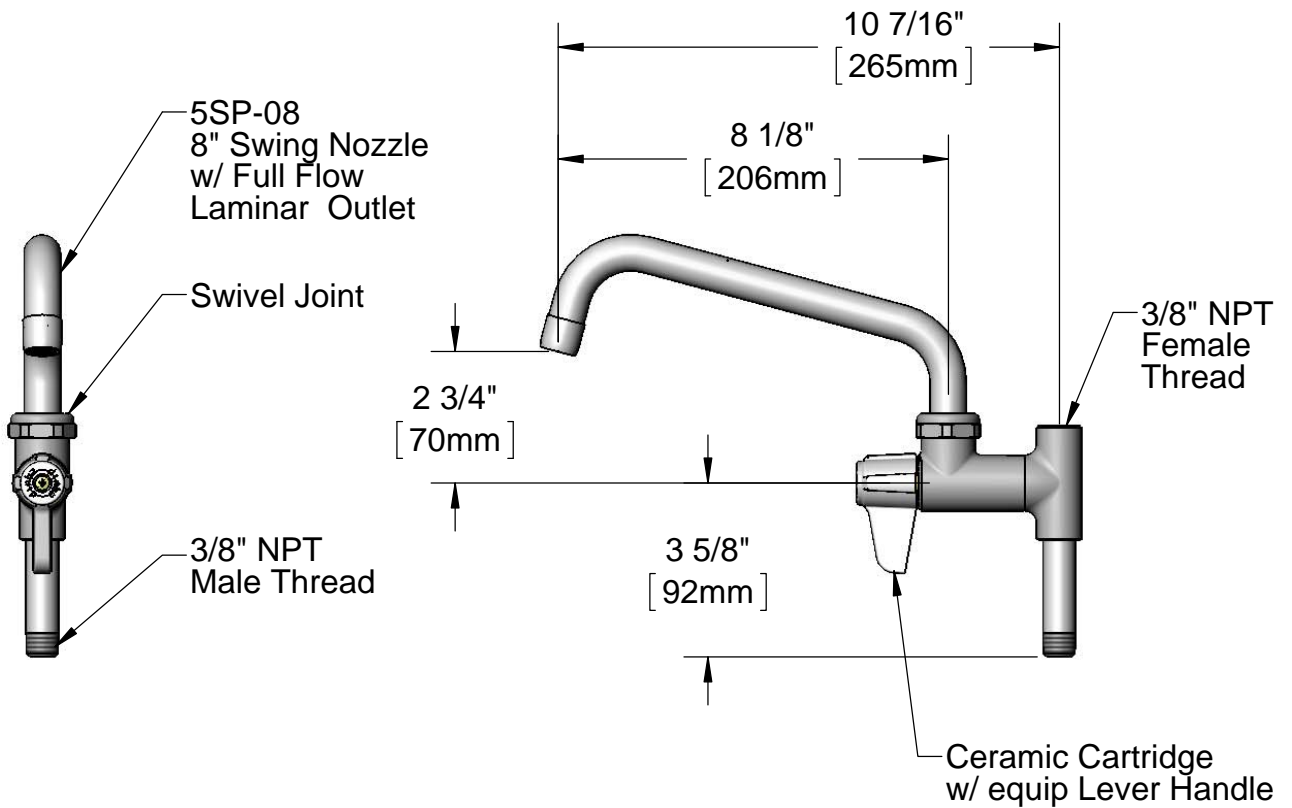


This Space for Architect/Engineer Approval

Job Name \_\_\_\_\_ Date \_\_\_\_\_  
Model Specified \_\_\_\_\_ Quantity \_\_\_\_\_  
Customer/Wholesaler \_\_\_\_\_  
Contractor \_\_\_\_\_  
Architect/Engineer \_\_\_\_\_



**ADA Compliant**



Model Number <b>5AFL08</b>	Date <b>11/03/11</b>	Scale <b>1:4</b>	Drawn <b>KJG</b>	Checked <b>DMH</b>	Approved <b>JHB</b>
-------------------------------	-------------------------	---------------------	---------------------	-----------------------	------------------------

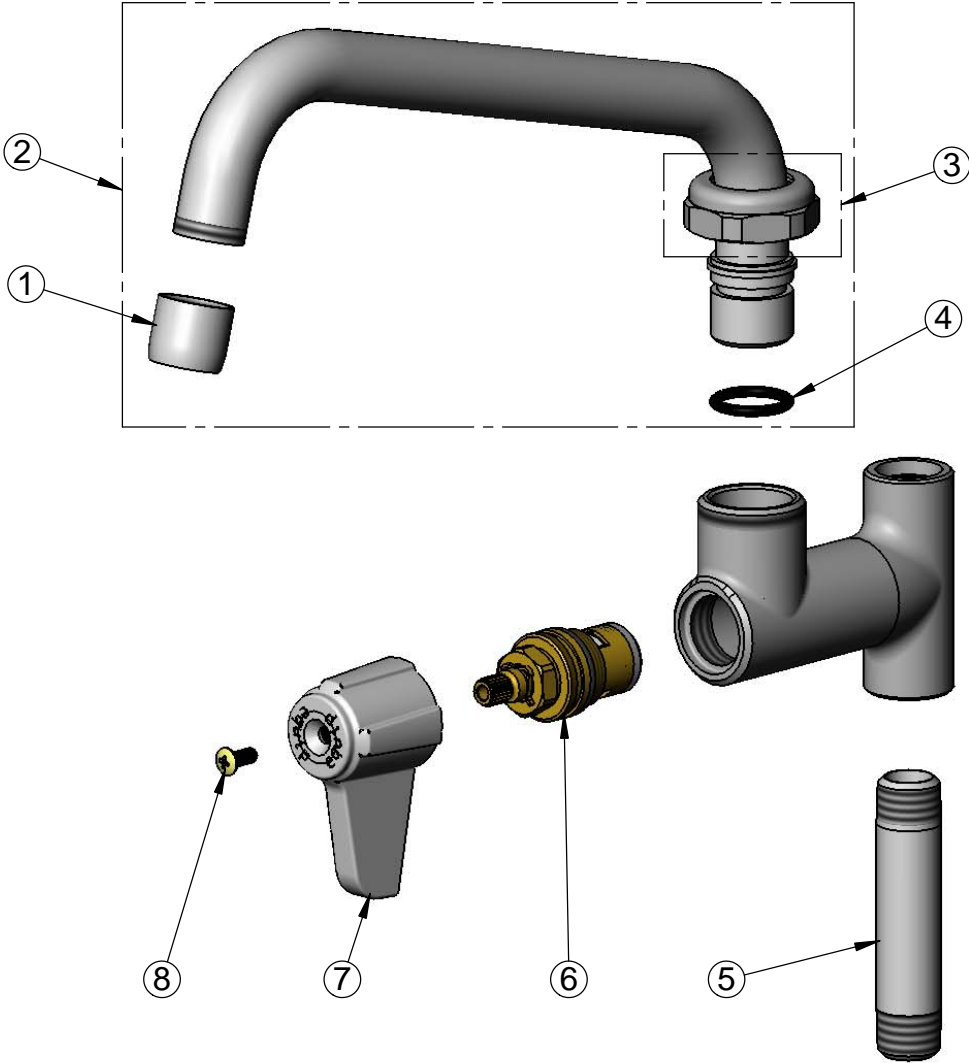


Product Specifications:

**Equip Add-On Faucet w/ Equip Ceramic Cartridge,  
8" Swing Nozzle, & Full Flow Laminar Outlet**

equip Foodservice Accessories  
2 Saddleback Cove, P.O. Box 1088  
Travelers Rest, South Carolina 29690  
Phone: 800.891.4808 Fax: 800.868.0084

ITEM NO.	SALES NO.	DESCRIPTION
1	014250-45	Full Flow Laminar Outlet
2	5SP-08	8" Swing Nozzle Assembly
3	013839-25	Swivel Nut
4	013848-45	O-Ring, Size -014, Nitrile
5	000358-40	Nipple, 3/8" NPT x 3" LG
6	013787-45	Equip Ceramic Crtg (RTC)
7	5-HDL-L	"Equip" Lever Handle
8	013849-45	Lever Handle Screw



Model Number 5AFL08	Date 11/03/11	Scale NTS	Drawn KJG	Checked DMH	Approved JHB
------------------------	------------------	--------------	--------------	----------------	-----------------



Product Specifications:

Equip Add-On Faucet w/ Equip Ceramic Cartridge,  
8" Swing Nozzle, & Full Flow Laminar Outlet

equip Foodservice Accessories  
2 Saddleback Cove, P.O. Box 1088  
Travelers Rest, South Carolina 29690  
Phone: 800.891.4808 Fax: 800.868.0084