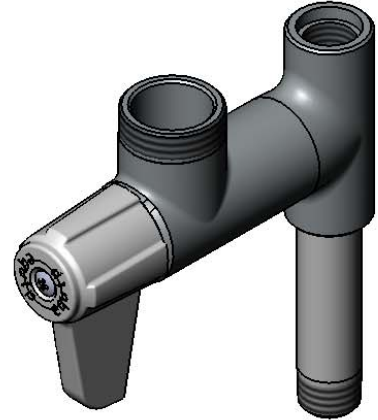


*This Space for Architect/Engineer Approval*

Job Name \_\_\_\_\_ Date \_\_\_\_\_  
 Model Specified \_\_\_\_\_ Quantity \_\_\_\_\_  
 Customer/Wholesaler \_\_\_\_\_  
 Contractor \_\_\_\_\_  
 Architect/Engineer \_\_\_\_\_



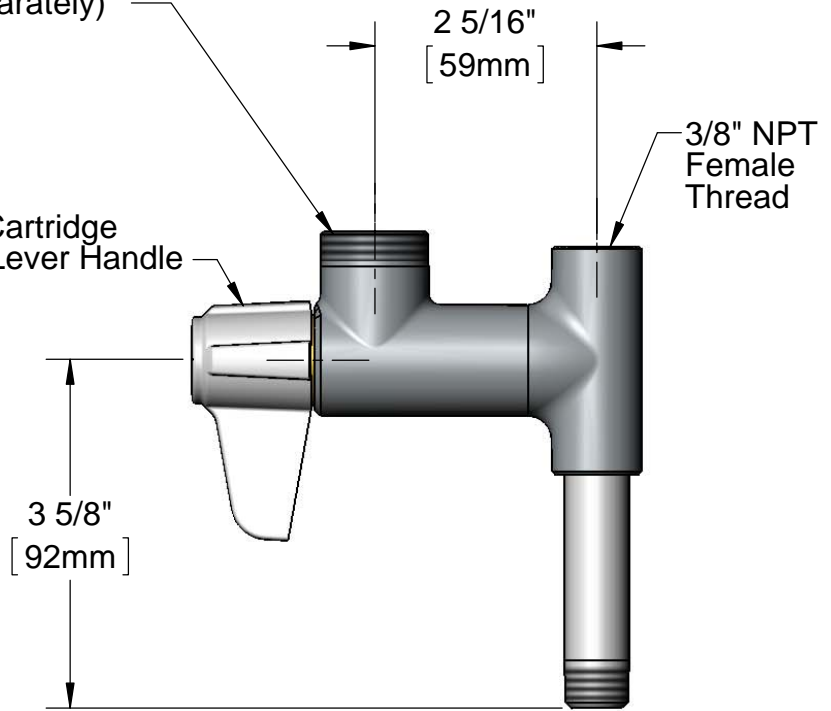
**ADA Compliant**



Swivel Outlet Accepts  
 equip Swing Nozzles,  
 For Rigid Nozzles, use  
 014200-45 Lock Washer  
 (Sold Separately)



Cerama Cartridge  
 w/ equip Lever Handle



3/8" NPT  
Male Thread

Model Number <b>5AFL00</b>	Date <b>03/27/12</b>	Scale <b>1:2</b>	Drawn <b>DHL</b>	Checked <b>DMH</b>	Approved <b>JHB</b>
-------------------------------	-------------------------	---------------------	---------------------	-----------------------	------------------------

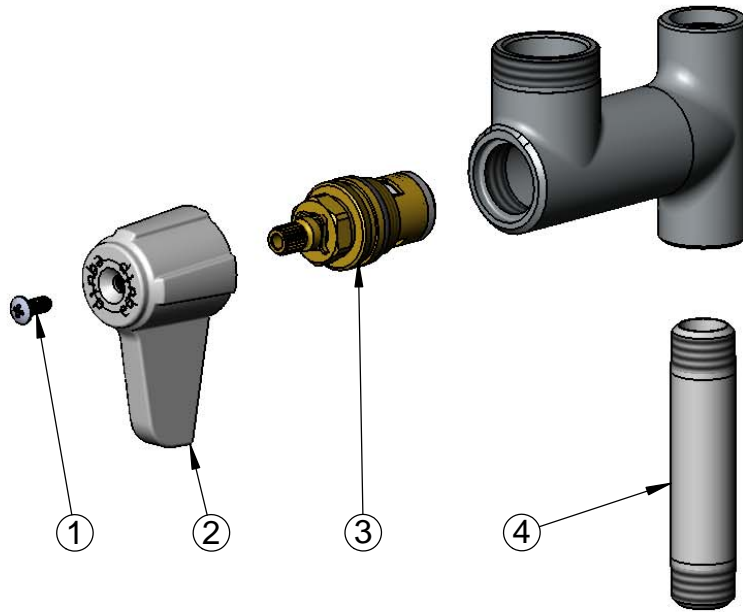
Product Specifications:

equip Add-On Faucet w/ equip Ceramic Cartridge, Lever Handle & Less Nozzle



equip Foodservice Accessories  
 2 Saddleback Cove, P.O. Box 1088  
 Travelers Rest, South Carolina 29690  
 Phone: 800.891.4808 Fax: 800.868.0084

ITEM NO.	SALES NO.	DESCRIPTION
1	013849-45	Lever Handle Screw
2	5-HDL-L	"Equip" Lever Handle
3	013787-45	Equip Ceramic Crtg (RTC)
4	000358-40	Nipple, 3/8" NPT x 3" LG



Model Number 5AFL00	Date 03/27/12	Scale NTS	Drawn DHL	Checked DMH	Approved JHB
------------------------	------------------	--------------	--------------	----------------	-----------------



Product Specifications:  
equip Add-On Faucet w/ equip Ceramic Cartridge, Lever Handle & Less Nozzle

equip Foodservice Accessories  
2 Saddleback Cove, P.O. Box 1088  
Travelers Rest, South Carolina 29690  
Phone: 800.891.4808 Fax: 800.868.0084