



T&S BRASS AND BRONZE WORKS, INC.

2 Saddleback Cove / P.O. Box 1088
Travelers Rest, SC 29690

Model No.

EC-3106

Item No.

Travelers Rest, SC: 800-476-4103 • Simi Valley, CA: 800-423-0150 • Fax: 864-834-3518 • www.tsbrass.com



ADA Compliant
(Automatic Electronic Operation Only)

This Space for Architect/Engineer Approval

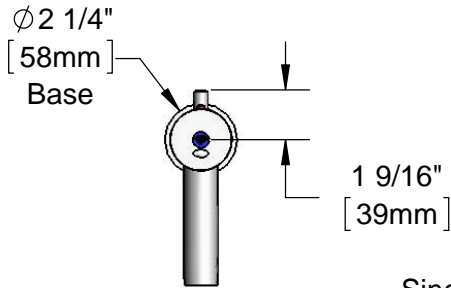
Job Name _____ Date _____

Model Specified _____ Quantity _____

Customer/Wholesaler _____

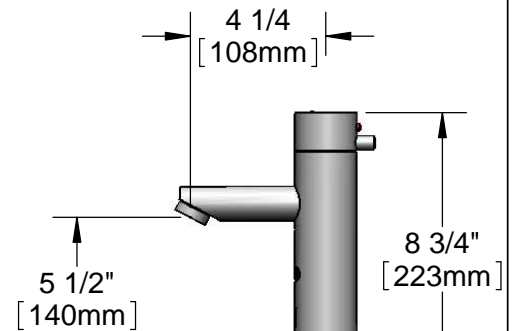
Contractor _____

Architect/Engineer _____



Single Hole Deck Spout
w/ 2.2 GPM [8.3 L/min]
Vandal Resistant Aerator
and Manual Bypass Operation

24" [610mm] Long Flexible
Stainless Steel Connector Hoses.
Bypass has 3/8" NPSM Swivel
Module has 1/2" NPSM Swivel



Mounting
Surface

24" [610mm]
Sensor Cable

3 5/8" x 4 3/16" x 2" Deep
[92mm x 106mm x 51mm]
Water Resistant Control Module
Box (Blue) w/ Internal Flow Control
Setting Switches, AC or DC Operated
w/ (4) AA Batteries. Hardwire Capable
Using Terminals on Back

2"
[51mm]
Maximum
Thickness

Removable
Strainer

Temperature Mixing
Valve w/ Integral
Check Valves

100-240 VAC Adapter
w/ 144" [3658mm] Long
Double Power Cord.
(Remove Rubber Plugs
on Module and Cable
to Connect)

(2) 3/8" Compression x 1/2" NPSM
18" [457mm] Long Flexible Stainless
Steel Supply Hose

Rough-In Requirement:
Ø 1 1/4" [32mm] Mounting Hole

Product Specifications:

Chrome Plated Brass Electronic Faucet: Single Hole Deck Spout w/ VR Aerator & Manual Bypass, AC/DC Control Module w/ Internal Flow Control Setting Switches, Temperature Control Mixing Valve, 18" Long Supply Stop Flexible Connector Hoses

Product Compliance:

ASME A112.18.1 / CSA B125.1
NSF 61 - Section 9
NSF 372 (Low Lead Content)
ANSI A117.1 (ADA)
UL 1951



T&S BRASS AND BRONZE WORKS, INC.

2 Saddleback Cove / P.O. Box 1088
Travelers Rest, SC 29690

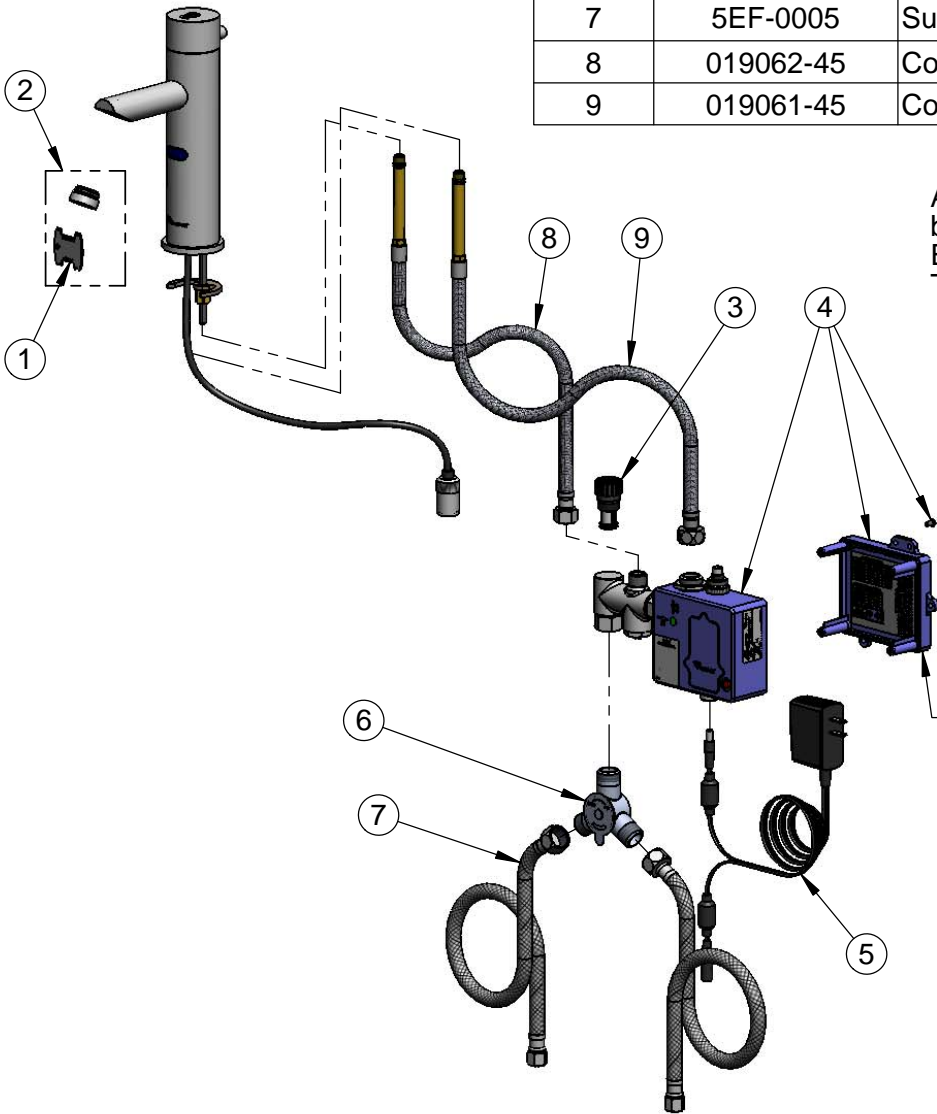
Model No.

EC-3106

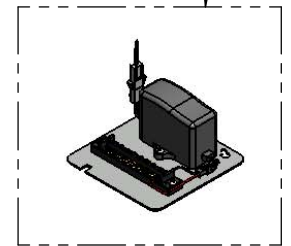
Item No.

Travelers Rest, SC: 800-476-4103 • Simi Valley, CA: 800-423-0150 • Fax: 864-834-3518 • www.tsbrass.com

ITEM NO.	SALES NUMBER	DESCRIPTION
1	015425-45	Vandal Resistant Key
2	B-0199-09	VR 2.2 GPM Aerator w/ Key
3	EC-FILTER	Replacement Filter
4	017493-45	ChekPoint Module (Blue) w/ Bypass Tee
5	5EF-0002	Double Gang, Plug-In A/C Transformer
6	5EF-0006	Manual Mixing Valve
7	5EF-0005	Supply Hose, 9/16-24 Female X 1/2" NPSM
8	019062-45	Connector Hose, M10 Male x 3/8" NPSM
9	019061-45	Connector Hose, M10 Male x 1/2" NPSM



A Maximum of (8) ChekPoint Faucets can be Hardwire Connected and Powered by EC-HARDWIRE ChekPoint Hardwire AC Transformer. (Sold Separately)



Label for Flow Control Switch Settings is Located on Inside of Back Cover.

Flow Control Switches are Located Inside Module Housing in Black Box Next to Battery Compartment.

*Switches are Set to DEFAULT Position:

- Auto Time Out = 15 Seconds
- Shut Off Delay = 1 Second
- Auto Flush = OFF

Remove (4) Screws and Back Cover to Access Switches.

***Available Water Flow Control Selections:**

- Auto Time Out: 15 sec, 30 sec, 45 sec, 60 sec, 3 min, 20 min
- Shut Off Delay: 1 sec, 10 sec, 15 sec, 30 sec
- Auto Flush (30 Seconds After Every 12 Inactive Hours): ON or OFF

Product Specifications:

Chrome Plated Brass Electronic Faucet: Single Hole Deck Spout w/ VR Aerator & Manual Bypass, AC/DC Control Module w/ Internal Flow Control Setting Switches, Temperature Control Mixing Valve, 18" Long Supply Stop Flexible Connector Hoses

Product Compliance:

ASME A112.18.1 / CSA B125.1
NSF 61 - Section 9
NSF 372 (Low Lead Content)
ANSI A117.1 (ADA)
UL 1951