



**T&S BRASS AND BRONZE WORKS, INC.**  
 2 Saddleback Cove / P.O. Box 1088  
 Travelers Rest, SC 29690

Model No.  
**B-7232-10**

Item No.

Travelers Rest, SC: 800-476-4103 • Simi Valley, CA: 800-423-0150 • Fax: 864-834-3518 • www.tsbrass.com

This Space for Architect/Engineer Approval

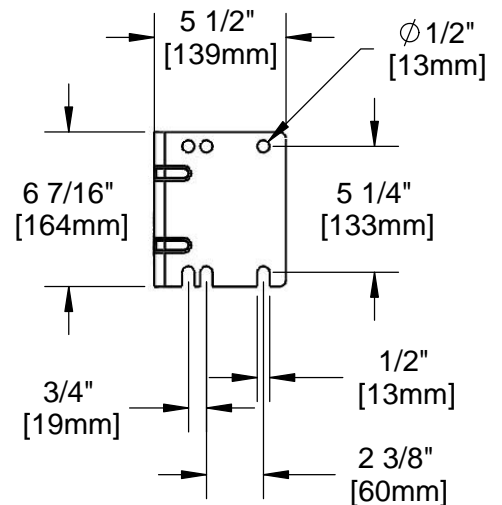
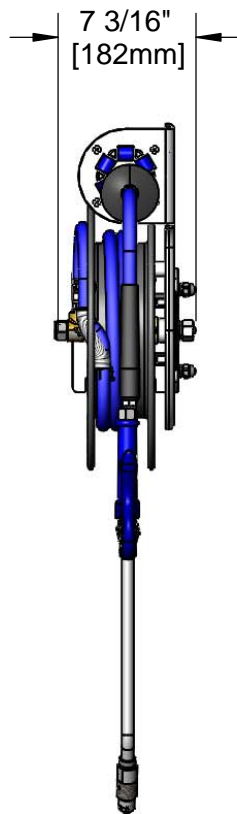
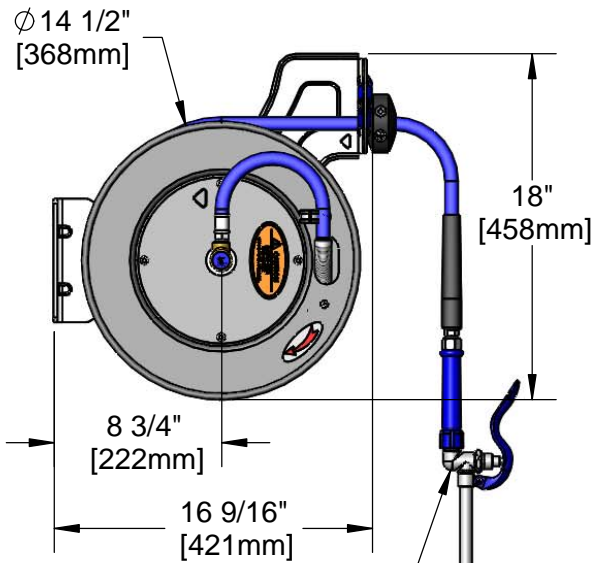
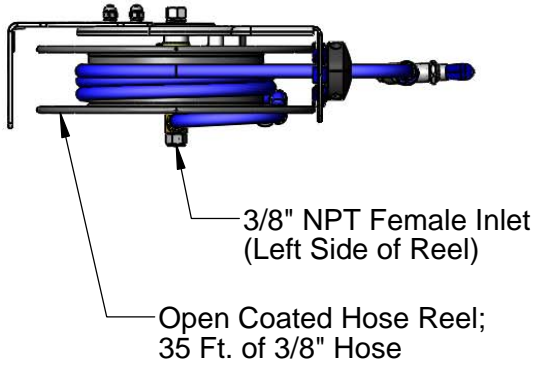
Job Name \_\_\_\_\_ Date \_\_\_\_\_

Model Specified \_\_\_\_\_ Quantity \_\_\_\_\_

Customer/Wholesaler \_\_\_\_\_

Contractor \_\_\_\_\_

Architect/Engineer \_\_\_\_\_



EB-2322  
 Extended Spray Wand  
 w/ Blue Spray Valve &  
 Adjustable Spray Pattern Outlet

Product Specifications:  
 3/8" x 35 Ft. Open Coated Reel w/ Extended Spray Wand & Blue Spray Valve

Product Compliance:  
 NSF 61 Exempt (Non-Potable)  
 EPA Act 2005 Non-Compliant (PRSV)



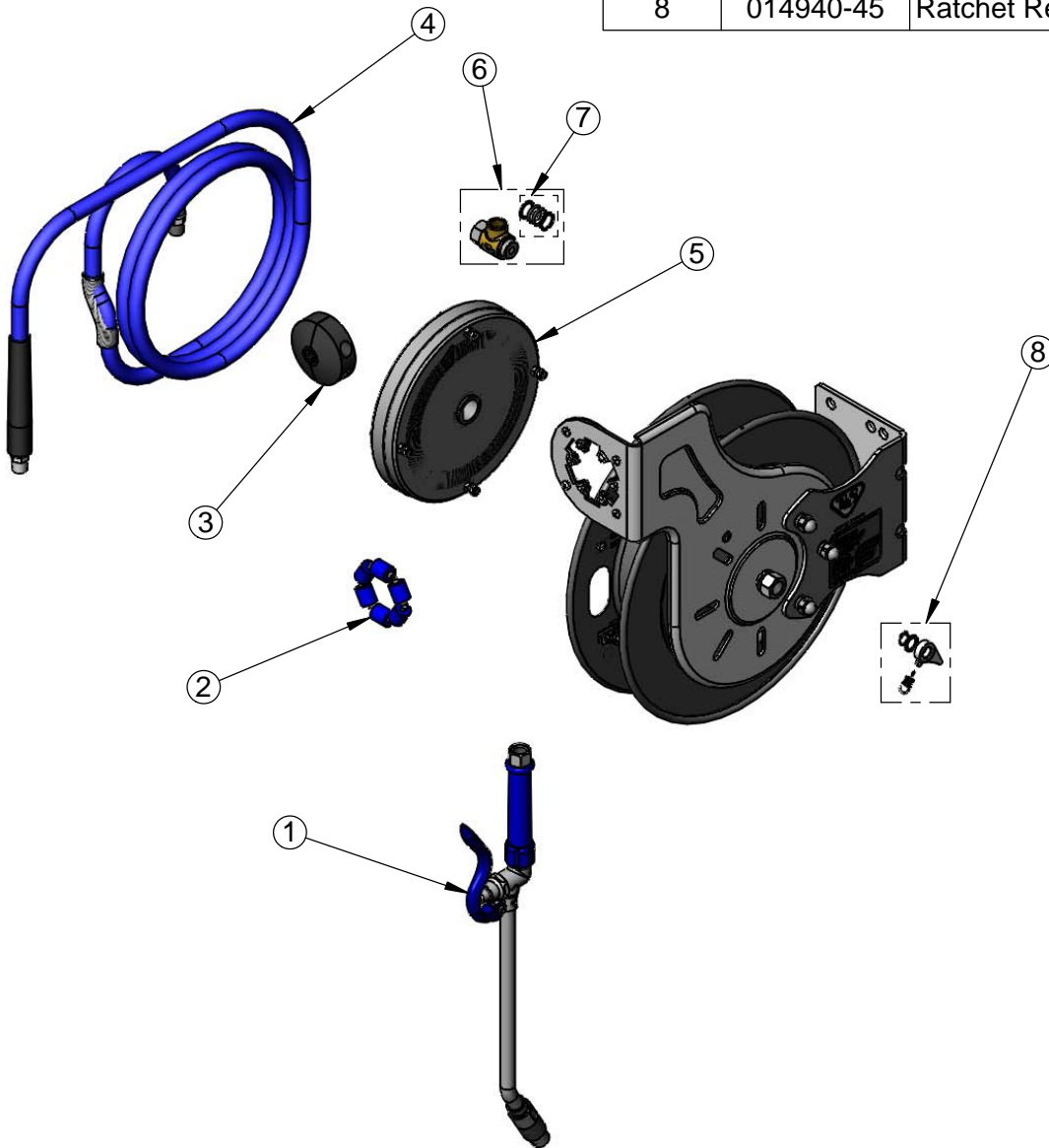
**T&S BRASS AND BRONZE WORKS, INC.**  
 2 Saddleback Cove / P.O. Box 1088  
 Travelers Rest, SC 29690

Model No.  
**B-7232-10**

Item No.

Travelers Rest, SC: 800-476-4103 • Simi Valley, CA: 800-423-0150 • Fax: 864-834-3518 • www.tsbrass.com

ITEM NO.	SALES NO.	DESCRIPTION
1	EB-2322	Extended Wand Spray Valve
2	014938-45	Roller Assembly Repair Kit
3	014949-45	Hose Stop Repair Kit
4	014941-45	3/8" x 35' Hose Replacement Kit
5	014932-45	Small Spring Assembly
6	014946-45	3/8" Swivel Repair Kit
7	014948-45	O-Ring Replacement Kit
8	014940-45	Ratchet Repair Kit



Product Specifications:  
 3/8" x 35 Ft. Open Coated Reel w/ Extended Spray Wand & Blue Spray Valve

Product Compliance:  
 NSF 61 Exempt (Non-Potable)  
 EPA Act 2005 Non-Compliant (PRSV)