



T&S BRASS AND BRONZE WORKS, INC.
 2 Saddleback Cove / P.O. Box 1088
 Travelers Rest, SC 29690

Model No.
B-7232-05

Item No.

Travelers Rest, SC: 800-476-4103 • Simi Valley, CA: 800-423-0150 • Fax: 864-834-3518 • www.tsbrass.com

This Space for Architect/Engineer Approval

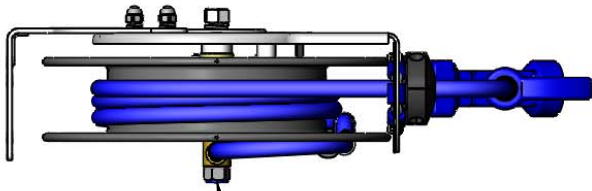
Job Name _____ Date _____

Model Specified _____ Quantity _____

Customer/Wholesaler _____

Contractor _____

Architect/Engineer _____

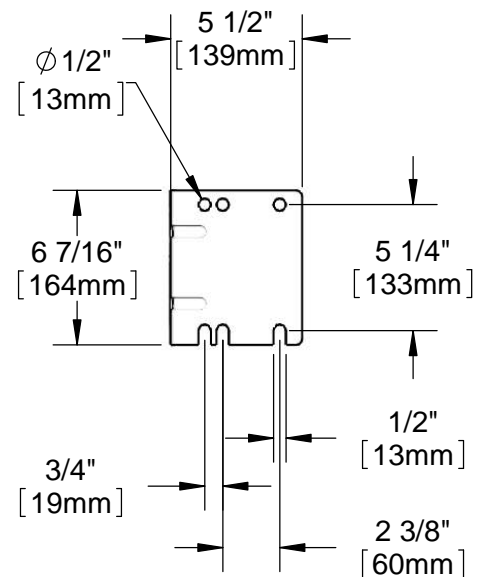
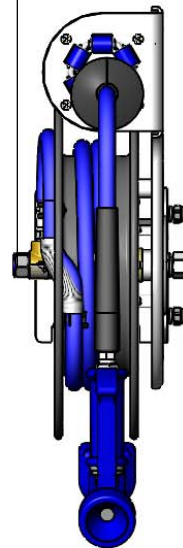
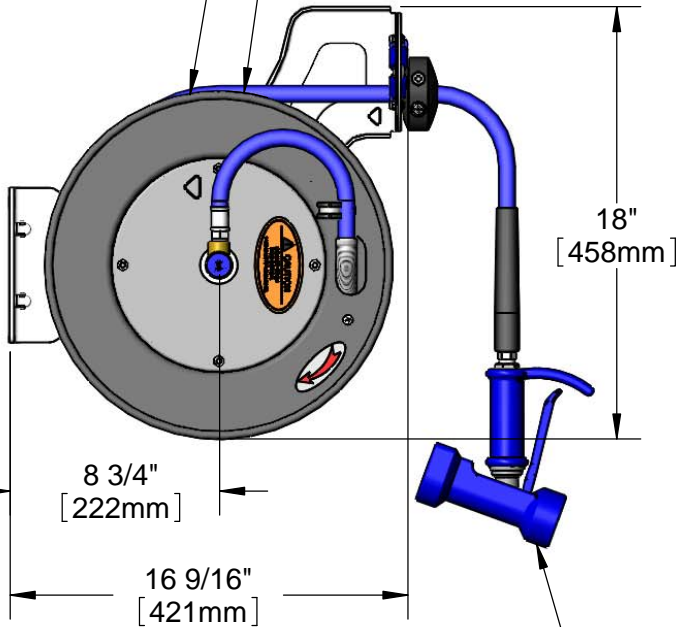


3/8" NPT Female Inlet
 (Left Side of Reel)



Open Coated Hose Reel
 35' of 3/8" Hose
 $\phi 14 \frac{1}{2}$ "
 [368mm]

7 3/16"
 [182mm]



MV-2522-24
 Stainless Steel Front
 Trigger Water Gun w/
 5/16" Orifice

Product Specifications:
 3/8" x 35' Open Coated Reel & Stainless Steel Front Trigger Water Gun,
 5/16" Orifice

Product Compliance:
 NSF 61 Exempt (Non-Potable)
 EPA Act 2005 Non-Compliant (PRSV)



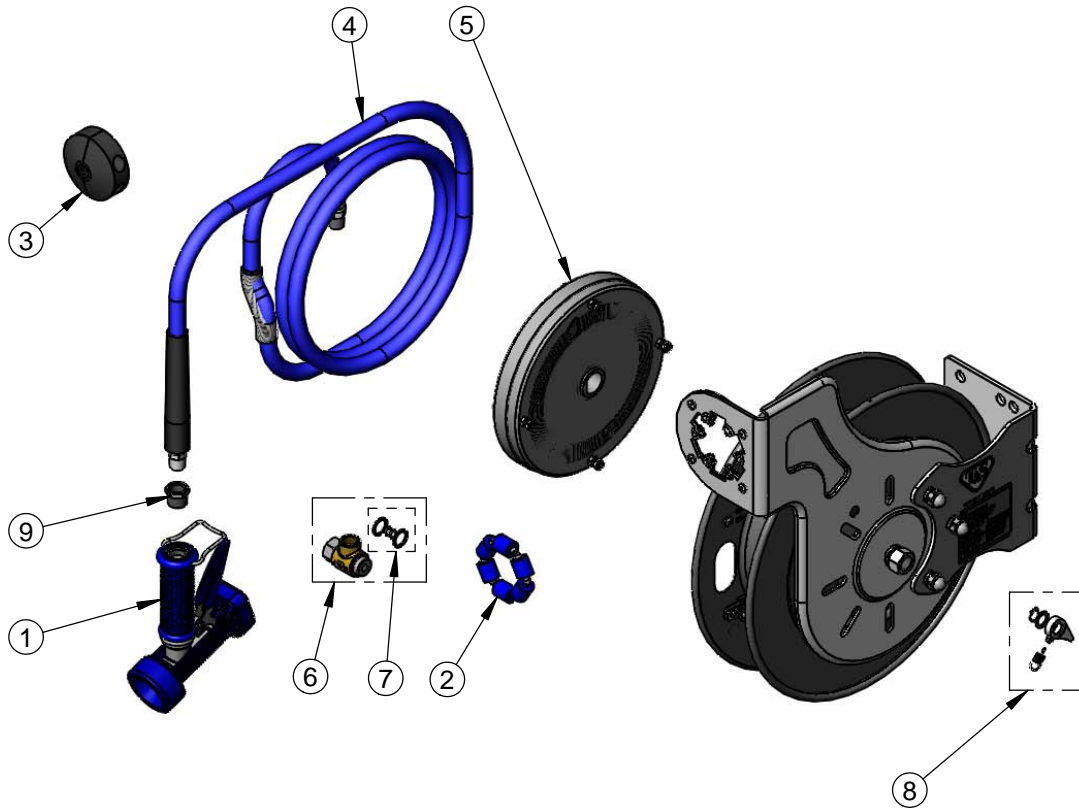
T&S BRASS AND BRONZE WORKS, INC.
 2 Saddleback Cove / P.O. Box 1088
 Travelers Rest, SC 29690

Model No.
B-7232-05

Item No.

Travelers Rest, SC: 800-476-4103 • Simi Valley, CA: 800-423-0150 • Fax: 864-834-3518 • www.tsbrass.com

ITEM NO.	SALES NO.	DESCRIPTION
1	MV-2522-24	Front Trigger Gun, 5/16" Orifice
2	014938-45	Roller Repair Kit
3	014949-45	Hose Stop Repair Kit
4	014941-45	3/8" x 35' Hose Replacement Kit
5	014932-45	Small Coated Spring
6	014946-45	3/8" Swivel Repair Kit
7	014948-45	O-Ring Replacement Kit
8	014940-45	Ratchet Repair Kit
9	001359-40	Hex Bushing, 1/2" NPT Male x 3/8" NPT Female



Product Specifications:
 3/8" x 35' Open Coated Reel & Stainless Steel Front Trigger Water Gun,
 5/16" Orifice

Product Compliance:
 NSF 61 Exempt (Non-Potable)
 EPA Act 2005 Non-Compliant (PRSV)