



**T&S BRASS AND BRONZE WORKS, INC.**  
 2 Saddleback Cove / P.O. Box 1088  
 Travelers Rest, SC 29690

Model No.  
**B-7222-C05**

Item No.

Travelers Rest, SC: 800-476-4103 • Simi Valley, CA: 800-423-0150 • Fax: 864-834-3518 • www.tsbrass.com

This Space for Architect/Engineer Approval

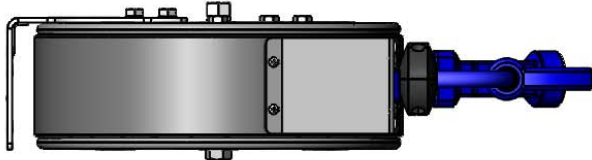
Job Name \_\_\_\_\_ Date \_\_\_\_\_

Model Specified \_\_\_\_\_ Quantity \_\_\_\_\_

Customer/Wholesaler \_\_\_\_\_

Contractor \_\_\_\_\_

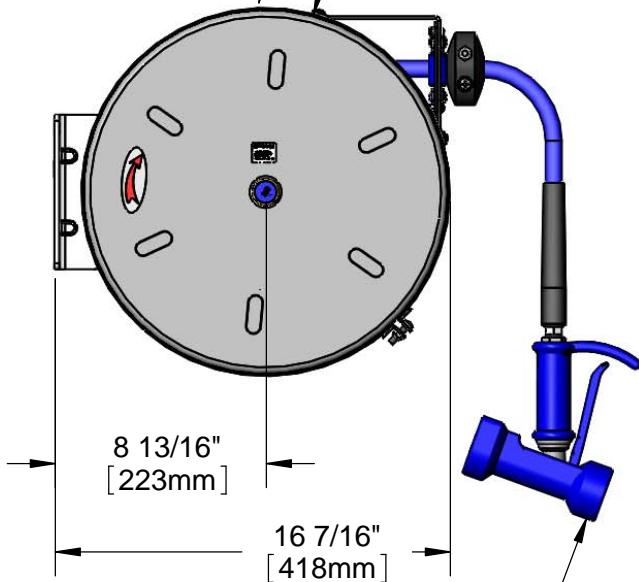
Architect/Engineer \_\_\_\_\_



3/8" NPT Female Inlet (Left Side of Reel)

Enclosed Coated Hose Reel; 30 Ft. of 3/8" Hose

Ø15 3/8" [390mm]

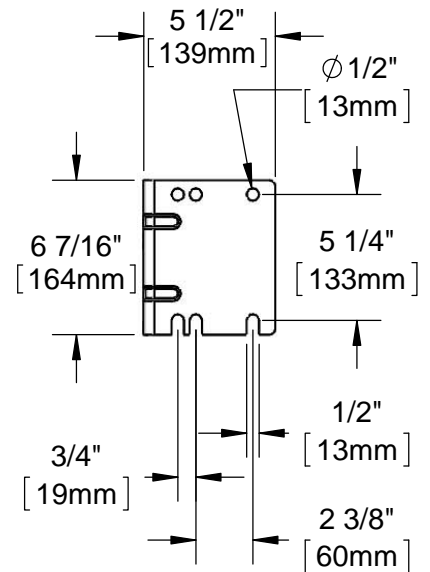
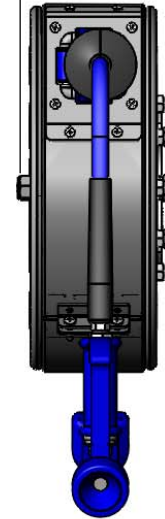


8 13/16" [223mm]

16 7/16" [418mm]

MV-2522-24 Front Trigger Style Gun w/ Stainless Steel Body and Royal Blue Rubber Cover.

6 1/2" [166mm]



Product Specifications:  
 Hose Reel System:  
 3/8" x 30 Ft. Enclosed Coated Reel, Front Trigger 5/16" Orifice Spray Valve

Product Compliance:  
 NSF 61 Exempt (Non-Potable)  
 EPA Act 2005 Non-Compliant (PRSV)



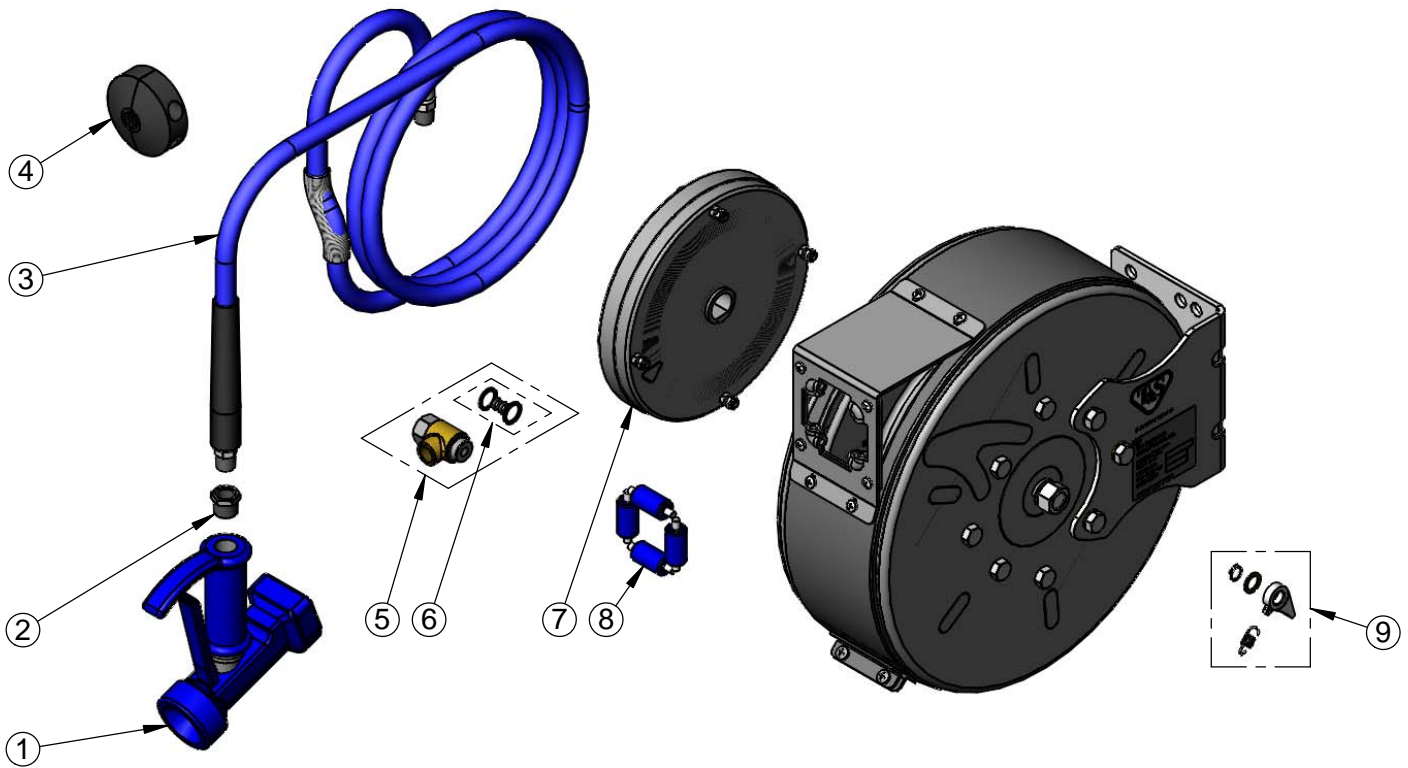
**T&S BRASS AND BRONZE WORKS, INC.**  
 2 Saddleback Cove / P.O. Box 1088  
 Travelers Rest, SC 29690

Model No.  
**B-7222-C05**

Item No.

Travelers Rest, SC: 800-476-4103 • Simi Valley, CA: 800-423-0150 • Fax: 864-834-3518 • www.tsbrass.com

ITEM NO.	SALES NO.	DESCRIPTION
1	MV-2522-24	Front Trigger Gun, 5/16" Orifice
2	001359-40	Hex Bushing, 1/2" NPT Male x 3/8" NPT Female
3	014943-45	3/8" x 30' Hose Replacement Kit
4	014949-45	Hose Stop Repair Kit
5	014946-45	3/8" Swivel Repair Kit
6	014948-45	O-Ring Replacement Kit
7	014932-45	Small Coated Spring Assembly
8	014936-45	Roller Replacement Kit
9	014940-45	Ratchet Repair Kit



Product Specifications:  
 Hose Reel System:  
 3/8" x 30 Ft. Enclosed Coated Reel, Front Trigger 5/16" Orifice  
 Spray Valve

Product Compliance:  
 NSF 61 Exempt (Non-Potable)  
 EPA Act 2005 Non-Compliant (PRSV)