



T&S BRASS AND BRONZE WORKS, INC.
 2 Saddleback Cove / P.O. Box 1088
 Travelers Rest, SC 29690

Model No.
B-7222-C01

Item No.

Travelers Rest, SC: 800-476-4103 • Simi Valley, CA: 800-423-0150 • Fax: 864-834-3518 • www.tsbrass.com

This Space for Architect/Engineer Approval

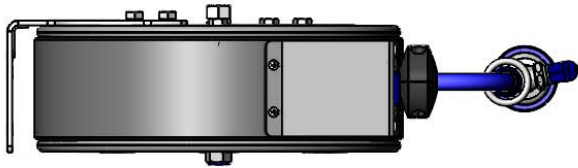
Job Name _____ Date _____

Model Specified _____ Quantity _____

Customer/Wholesaler _____

Contractor _____

Architect/Engineer _____

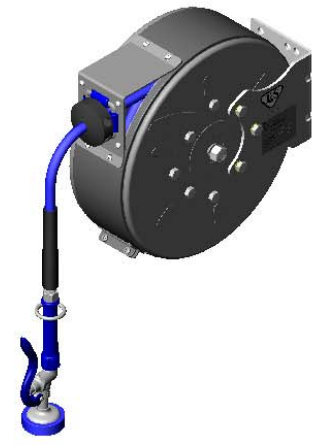
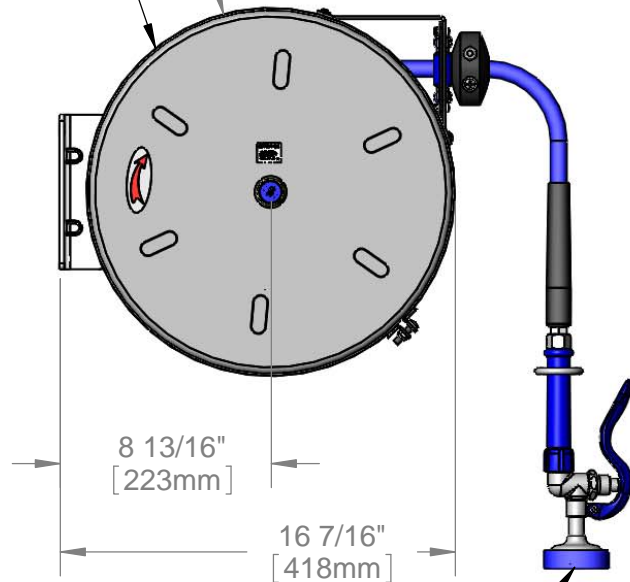


Enclosed Coated Hose Reel;
 30 Ft. of 3/8" Hose

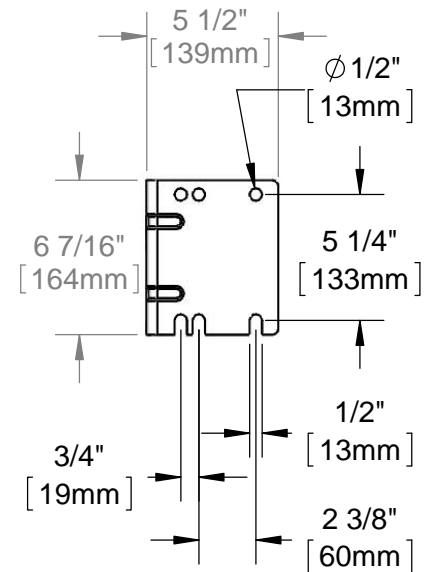
Ø15 3/8"
 [390mm]

3/8" NPT Female
 Inlet (Left Side of Reel)

6 1/2"
 [166mm]



EB-0107
 High Flow
 Spray Valve



Product Specifications:
 Hose Reel System:
 3/8" x 30 Ft. Enclosed Epoxy Coated Reel w/ High Flow Spray Valve

Product Compliance:
 NSF 61 Exempt (Non-Potable)
 EPA Act 2005 Non-Compliant (PRSV)



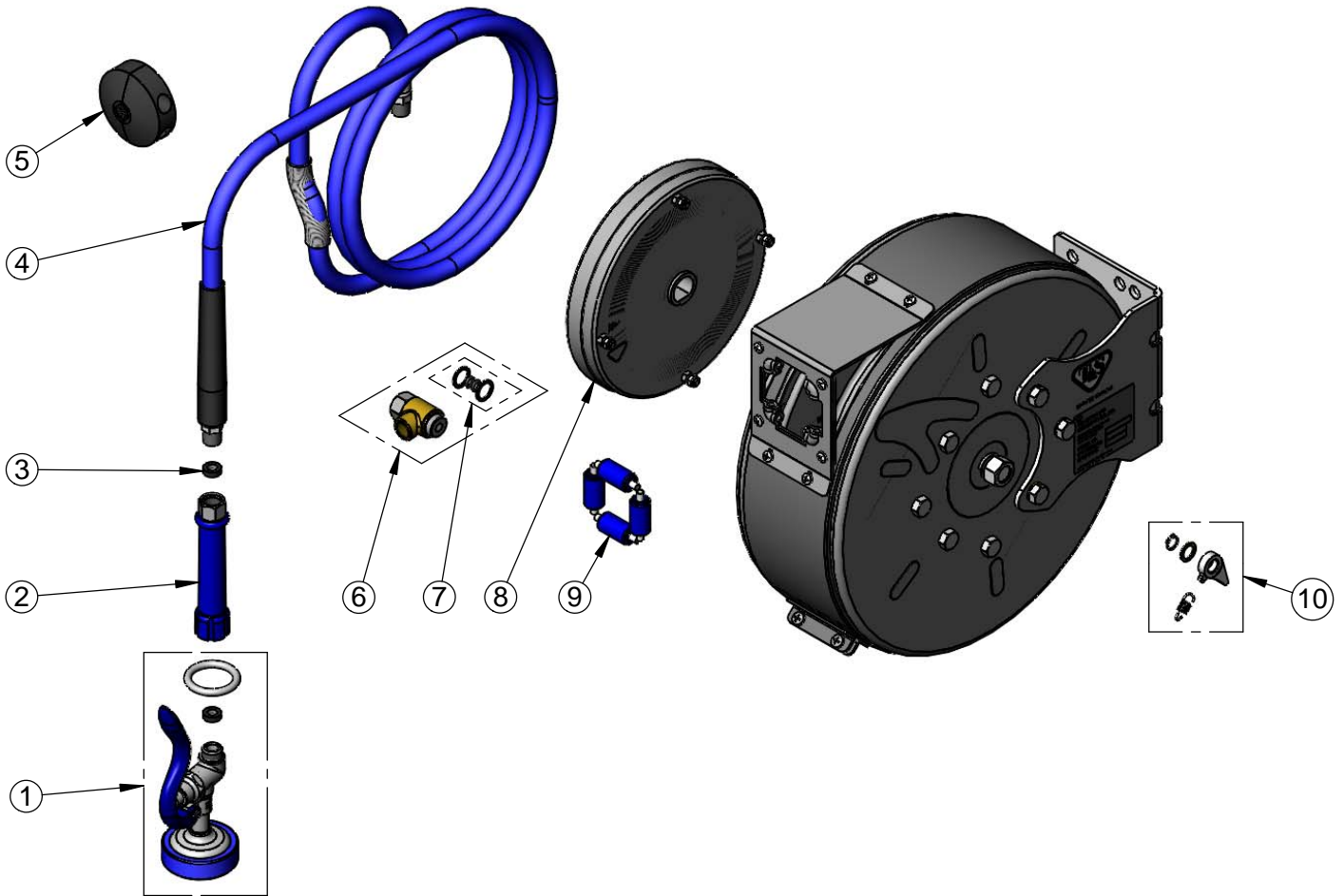
T&S BRASS AND BRONZE WORKS, INC.
 2 Saddleback Cove / P.O. Box 1088
 Travelers Rest, SC 29690

Model No.
B-7222-C01

Item No.

Travelers Rest, SC: 800-476-4103 • Simi Valley, CA: 800-423-0150 • Fax: 864-834-3518 • www.tsbrass.com

ITEM NO.	SALES NO.	DESCRIPTION
1	EB-0107	High Flow Spray Valve
2	012504-40	Grip Handle (Blue)
3	010476-45	#27 Washer
4	014943-45	3/8" x 30' Hose Replacement Kit
5	014949-45	Hose Stop Repair Kit
6	014946-45	3/8" Swivel Repair Kit
7	014948-45	O-Ring Replacement Kit
8	014932-45	Small Coated Spring
9	014936-45	Roller Replacement Kit
10	014940-45	Ratchet Repair Kit



Product Specifications:
 Hose Reel System:
 3/8" x 30 Ft. Enclosed Epoxy Coated Reel w/ High Flow Spray Valve

Product Compliance:
 NSF 61 Exempt (Non-Potable)
 EPAAct 2005 Non-Compliant (PRSV)