



**T&S BRASS AND BRONZE WORKS, INC.**  
 2 Saddleback Cove / P.O. Box 1088  
 Travelers Rest, SC 29690

Model No.  
**B-7142-C02**

Item No.

Travelers Rest, SC: 800-476-4103 • Simi Valley, CA: 800-423-0150 • Fax: 864-834-3518 • www.tsbrass.com

This Space for Architect/Engineer Approval

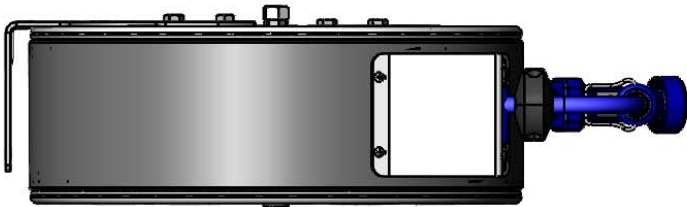
Job Name \_\_\_\_\_ Date \_\_\_\_\_

Model Specified \_\_\_\_\_ Quantity \_\_\_\_\_

Customer/Wholesaler \_\_\_\_\_

Contractor \_\_\_\_\_

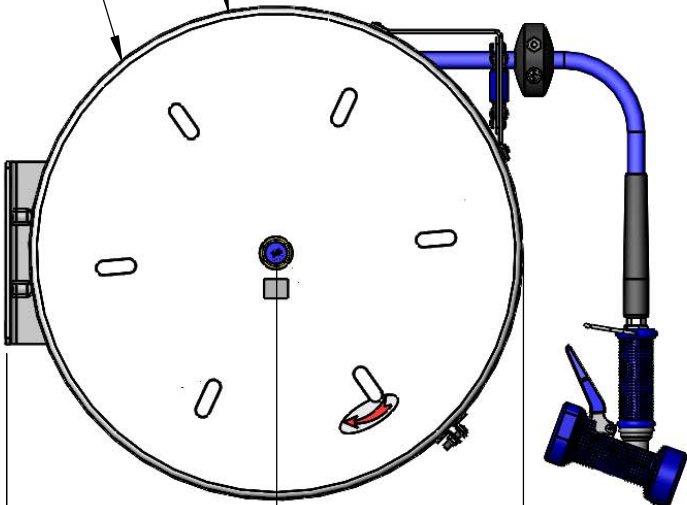
Architect/Engineer \_\_\_\_\_



3/8" NPT Female Inlet  
 (Left Side of Reel)

Enclosed Stainless Steel Hose Reel  
 50' of 3/8" Hose

Ø20 9/16"  
 [522mm]

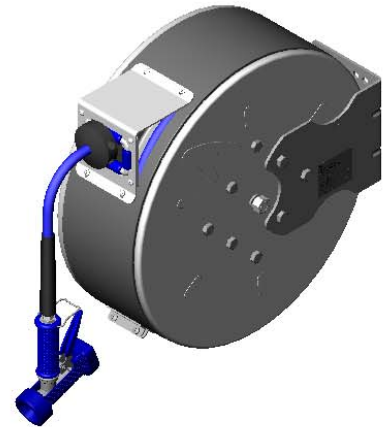
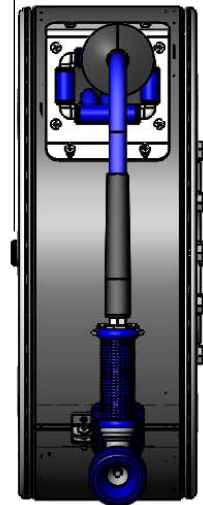


11 1/4"  
 [286mm]

21 9/16"  
 [547mm]

MV-2516-24  
 Stainless Steel Rear  
 Trigger Water Gun w/  
 5/16" Orifice

8 7/16"  
 [214mm]



6 3/16"  
 [158mm]

Ø1/2"  
 [13mm]

7 9/16"  
 [193mm]

6"  
 [152mm]

13/16"  
 [21mm]

1/2"  
 [13mm]

3 1/8"  
 [79mm]

Product Specifications:

3/8" x 50' Enclosed Stainless Steel Reel & Stainless Steel Rear Trigger Water Gun, 5/16" Orifice

Product Compliance:

NSF 61 Exempt (Non-Potable)  
 EPA 2005 Non-Compliant (PRSV)



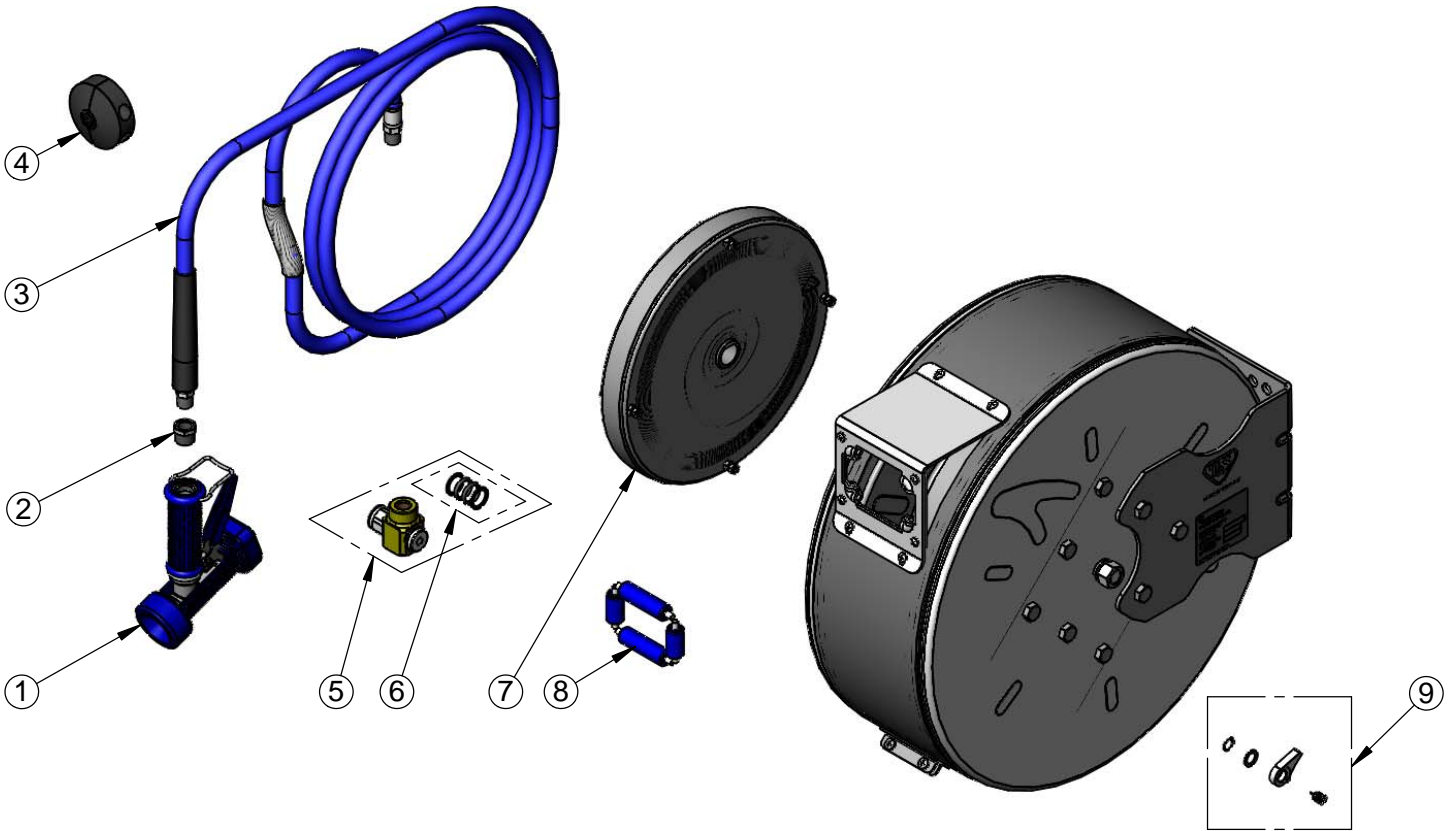
**T&S BRASS AND BRONZE WORKS, INC.**  
 2 Saddleback Cove / P.O. Box 1088  
 Travelers Rest, SC 29690

Model No.  
**B-7142-C02**

Item No.

Travelers Rest, SC: 800-476-4103 • Simi Valley, CA: 800-423-0150 • Fax: 864-834-3518 • www.tsbrass.com

ITEM NO.	SALES NO.	DESCRIPTION
1	MV-2516-24	Rear Trigger Gun, 5/16" Orifice
2	001359-40	Hex Bushing, 1/2" NPT Male x 3/8" NPT Female
3	014942-45	3/8" x 50' Hose Replacement Kit
4	014949-45	Hose Stop Repair Kit
5	019561-45	3/8" x 50' Swivel Repair Kit
6	019473-45	3/8" x 50' O-Ring Replacement Kit
7	014935-45	Large Stainless Steel Spring
8	014937-45	Roller Replacement Kit
9	014940-45	Ratchet Repair Kit



Product Specifications:  
 3/8" x 50' Enclosed Stainless Steel Reel & Stainless Steel Rear Trigger Water Gun, 5/16" Orifice

Product Compliance:  
 NSF 61 Exempt (Non-Potable)  
 EPA Act 2005 Non-Compliant (PRSV)