



**T&S BRASS AND BRONZE WORKS, INC.**  
 2 Saddleback Cove / P.O. Box 1088  
 Travelers Rest, SC 29690

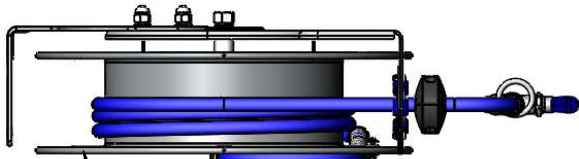
Model No.  
**B-7142-10**

Item No.

Travelers Rest, SC: 800-476-4103 • Simi Valley, CA: 800-423-0150 • Fax: 864-834-3518 • www.tsbrass.com

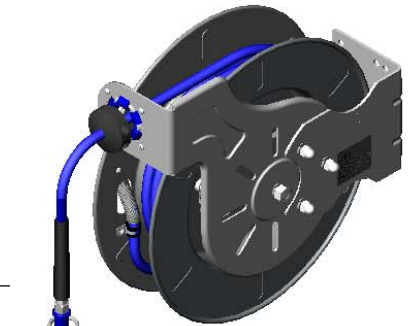
This Space for Architect/Engineer Approval

Job Name \_\_\_\_\_ Date \_\_\_\_\_  
 Model Specified \_\_\_\_\_ Quantity \_\_\_\_\_  
 Customer/Wholesaler \_\_\_\_\_  
 Contractor \_\_\_\_\_  
 Architect/Engineer \_\_\_\_\_

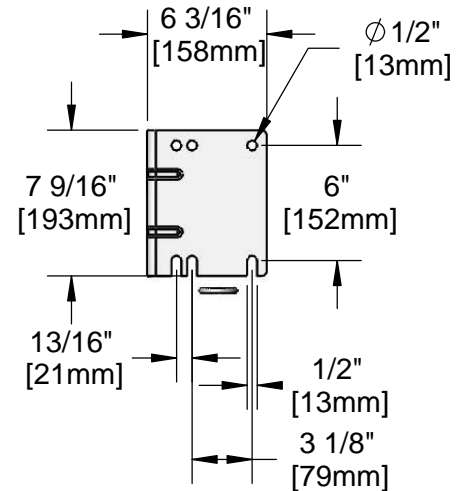
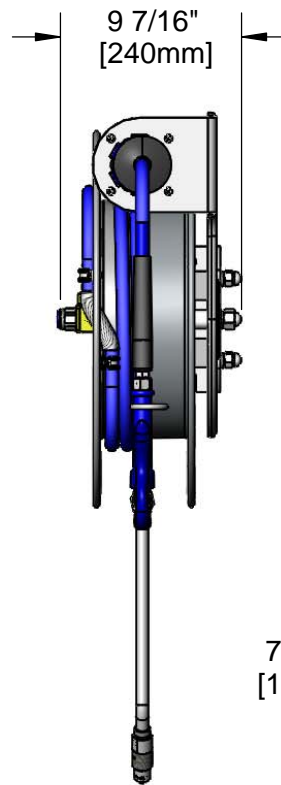
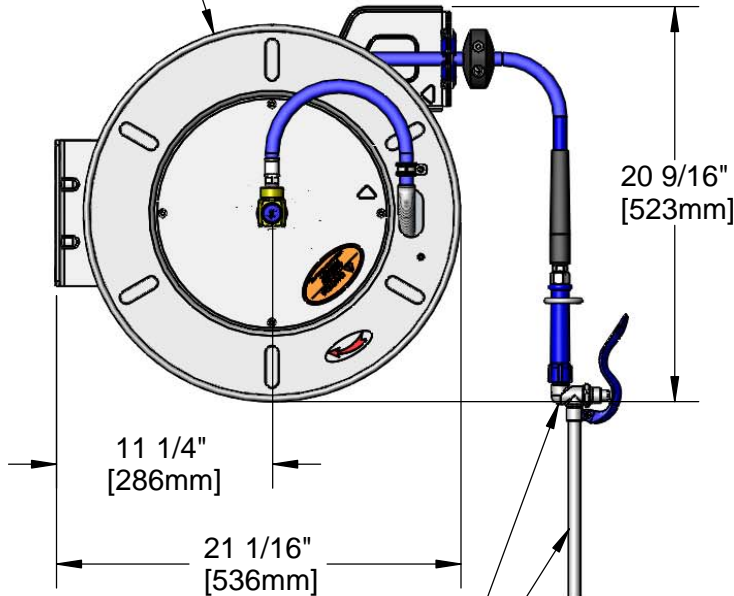


3/8" NPT Female Inlet  
 (Left Side of Reel)

Open Stainless Steel Hose Reel;  
 50 Ft. of 3/8" Hose



Ø 19 5/8"  
 [498mm]



EB-2322  
 Extended Spray Wand  
 w/ Blue Spray Valve &  
 Adjustable Spray Pattern Outlet

Product Specifications:  
 3/8" x 50 Ft. Open Stainless Steel Reel w/ Extended Spray Wand &  
 Blue Spray Valve

Product Compliance:  
 NSF 61 Exempt (Non-Potable)  
 EPA Act 2005 Non-Compliant (PRSV)



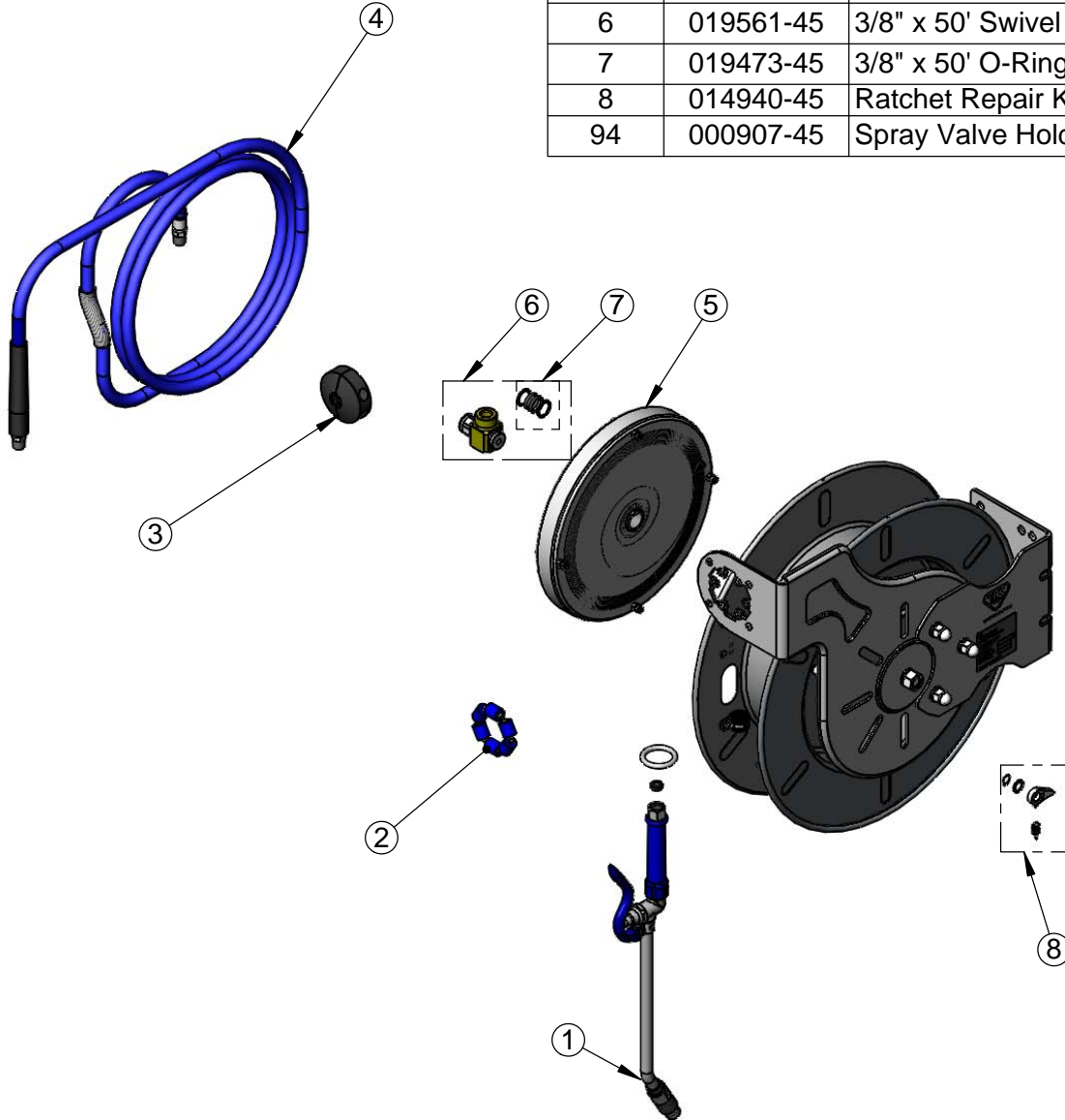
**T&S BRASS AND BRONZE WORKS, INC.**  
 2 Saddleback Cove / P.O. Box 1088  
 Travelers Rest, SC 29690

Model No.  
**B-7142-10**

Item No.

Travelers Rest, SC: 800-476-4103 • Simi Valley, CA: 800-423-0150 • Fax: 864-834-3518 • www.tsbrass.com

| ITEM NO. | SALES NO. | DESCRIPTION                        |
|----------|-----------|------------------------------------|
| 1        | EB-2322   | Extended Wand Spray Valve          |
| 2        | 014938-45 | Roller Assembly Repair Kit         |
| 3        | 014949-45 | Hose Stop Repair Kit               |
| 4        | 014942-45 | 50' OF 3/8" HOSE-GATES # 4657-2403 |
| 5        | 014935-45 | Large SS Spring Assembly           |
| 6        | 019561-45 | 3/8" x 50' Swivel Repair Kit       |
| 7        | 019473-45 | 3/8" x 50' O-Ring Replacement Kit  |
| 8        | 014940-45 | Ratchet Repair Kits                |
| 94       | 000907-45 | Spray Valve Hold Down Ring         |



Product Specifications:  
 3/8" x 50 Ft. Open Stainless Steel Reel w/ Extended Spray Wand & Blue Spray Valve

Product Compliance:  
 NSF 61 Exempt (Non-Potable)  
 EPA Act 2005 Non-Compliant (PRSV)