



**T&S BRASS AND BRONZE WORKS, INC.**  
 2 Saddleback Cove / P.O. Box 1088  
 Travelers Rest, SC 29690

Model No.  
**B-7122-C05**

Item No.

Travelers Rest, SC: 800-476-4103 • Simi Valley, CA: 800-423-0150 • Fax: 864-834-3518 • www.tsbrass.com

This Space for Architect/Engineer Approval

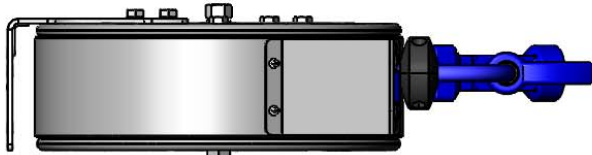
Job Name \_\_\_\_\_ Date \_\_\_\_\_

Model Specified \_\_\_\_\_ Quantity \_\_\_\_\_

Customer/Wholesaler \_\_\_\_\_

Contractor \_\_\_\_\_

Architect/Engineer \_\_\_\_\_

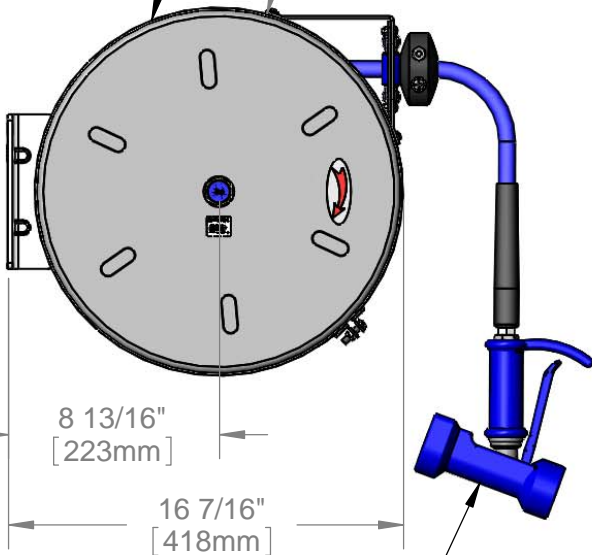


3/8" NPT Female Inlet  
 (Left Side of Reel)

Enclosed Stainless Steel Hose Reel  
 w/ 30' of 3/8" Hose

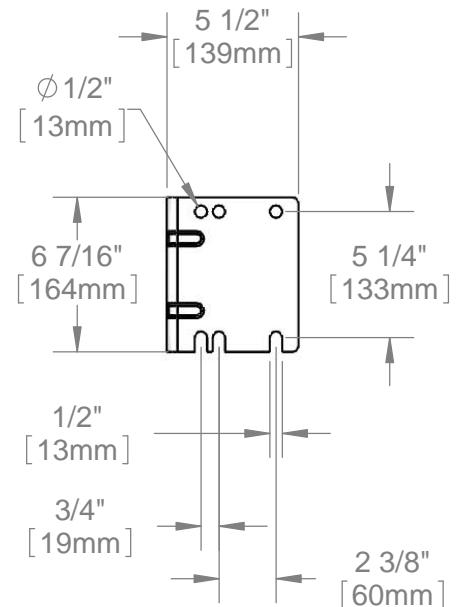
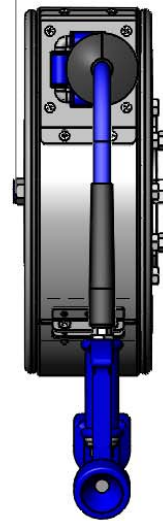
Ø15 3/8"  
 [390mm]

6 7/16"  
 [164mm]



8 13/16"  
 [223mm]

16 7/16"  
 [418mm]



Ø1/2"  
 [13mm]

6 7/16"  
 [164mm]

1/2"  
 [13mm]

3/4"  
 [19mm]

5 1/2"  
 [139mm]

5 1/4"  
 [133mm]

2 3/8"  
 [60mm]

MV-2522-24  
 Stainless Steel Front Trigger  
 Water Gun, 5/16" Orifice

Product Specifications:  
 3/8" x 30' Enclosed Stainless Steel Reel & Stainless Steel Front Trigger  
 Water Gun, 5/16" Orifice

Product Compliance:  
 NSF 61 Exempt (Non-Potable)



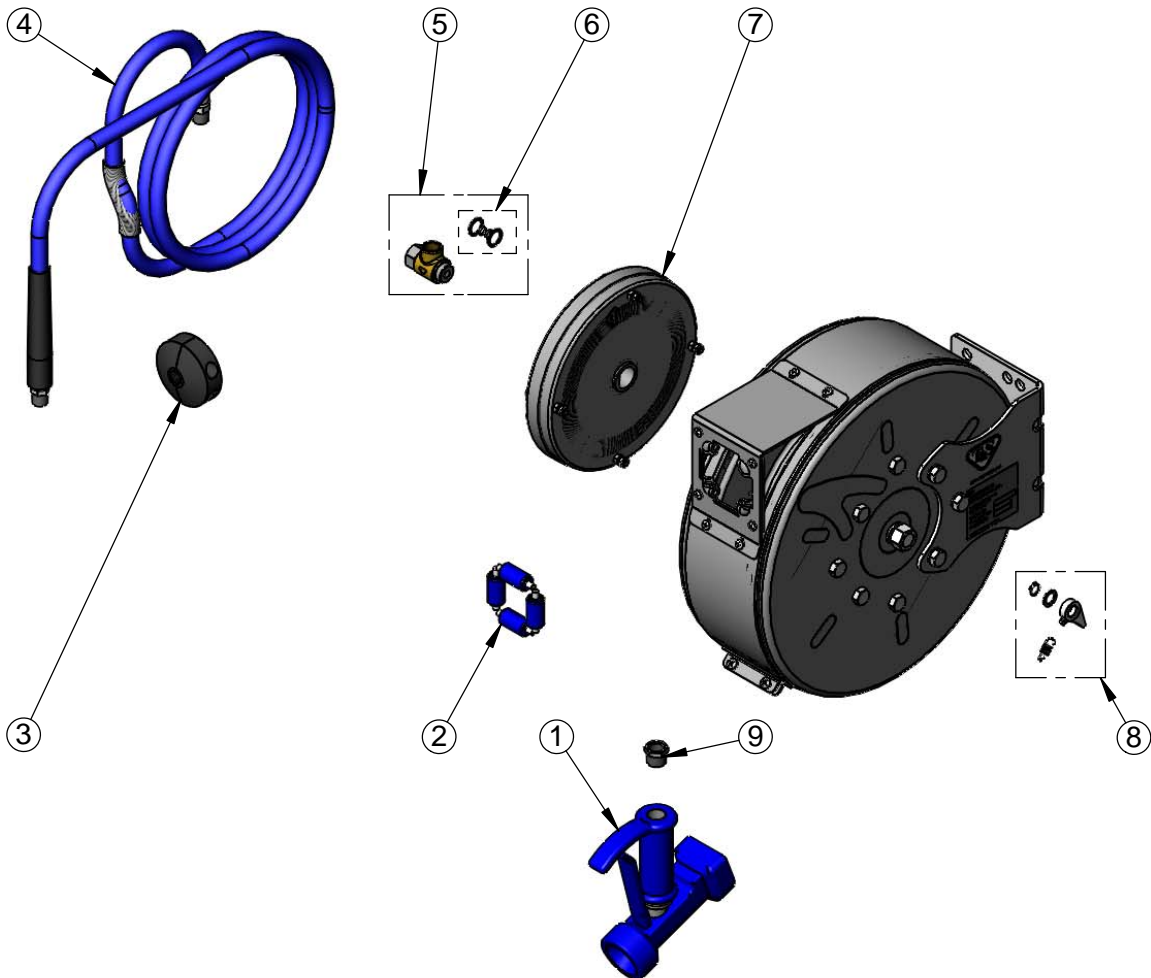
**T&S BRASS AND BRONZE WORKS, INC.**  
 2 Saddleback Cove / P.O. Box 1088  
 Travelers Rest, SC 29690

Model No.  
**B-7122-C05**

Item No.

Travelers Rest, SC: 800-476-4103 • Simi Valley, CA: 800-423-0150 • Fax: 864-834-3518 • www.tsbrass.com

| ITEM NO. | SALES NO.  | DESCRIPTION                                  |
|----------|------------|--|
| 1        | MV-2522-24 | Front Trigger Gun, 5/16" Orifice             |
| 2        | 014936-45  | Roller Repair Kit                            |
| 3        | 014949-45  | Hose Stop Repair Kit                         |
| 4        | 014943-45  | 3/8" x 30' Hose                              |
| 5        | 014946-45  | 3/8" Swivel Repair Kit                       |
| 6        | 014948-45  | O-Ring Replacement Kit                       |
| 7        | 014933-45  | Small Stainless Steel Spring                 |
| 8        | 014940-45  | Ratchet Repair Kit                           |
| 9        | 001359-40  | Hex Bushing, 1/2" NPT Male x 3/8" NPT Female |



Product Specifications:  
 3/8" x 30' Enclosed Stainless Steel Reel & Stainless Steel Front Trigger  
 Water Gun, 5/16" Orifice

Product Compliance:  
 NSF 61 Exempt (Non-Potable)