



**T&S BRASS AND BRONZE WORKS, INC.**  
 2 Saddleback Cove / P.O. Box 1088  
 Travelers Rest, SC 29690

Model No.  
**B-7122-C02**

Item No.

Travelers Rest, SC: 800-476-4103 • Simi Valley, CA: 800-423-0150 • Fax: 864-834-3518 • www.tsbrass.com

This Space for Architect/Engineer Approval

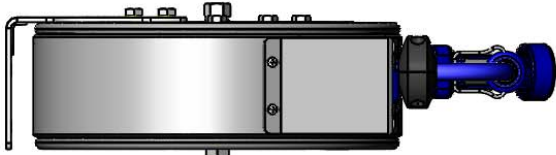
Job Name \_\_\_\_\_ Date \_\_\_\_\_

Model Specified \_\_\_\_\_ Quantity \_\_\_\_\_

Customer/Wholesaler \_\_\_\_\_

Contractor \_\_\_\_\_

Architect/Engineer \_\_\_\_\_

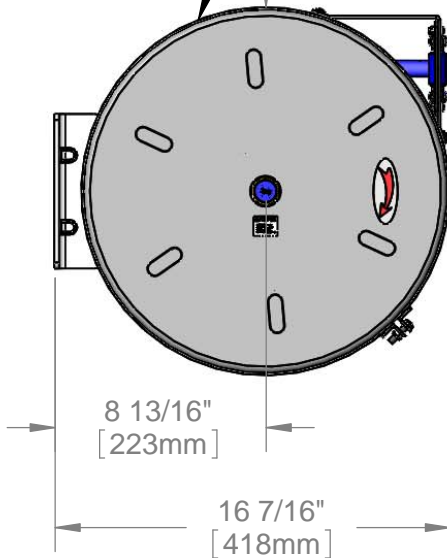
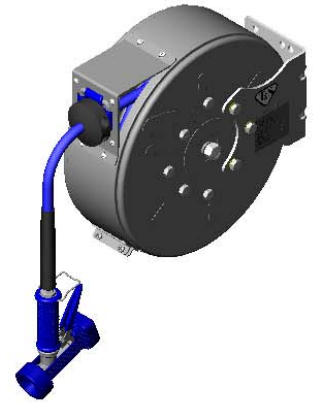


3/8" NPT Female Inlet  
 (Left Side of Reel)

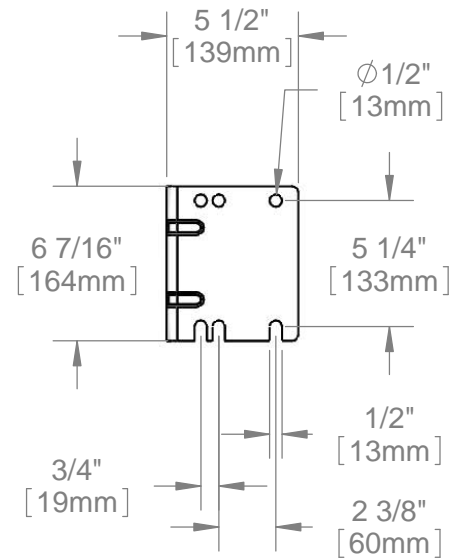
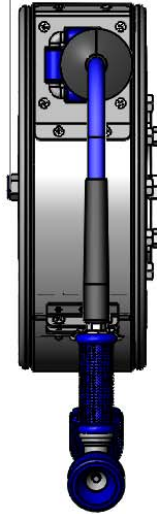
Enclosed Stainless Steel Hose Reel  
 30' of 3/8" Hose

Ø 15 3/8"  
 [390mm]

6 7/16"  
 [164mm]



MV-2516-24  
 Stainless Steel Rear Trigger  
 Water Gun, 5/16" Orifice



Product Specifications:  
 3/8" x 30' Enclosed Stainless Steel Reel & Stainless Steel Rear Trigger Water  
 Gun, 5/16" Orifice

Product Compliance:  
 NSF 61 Exempt (Non-Potable)



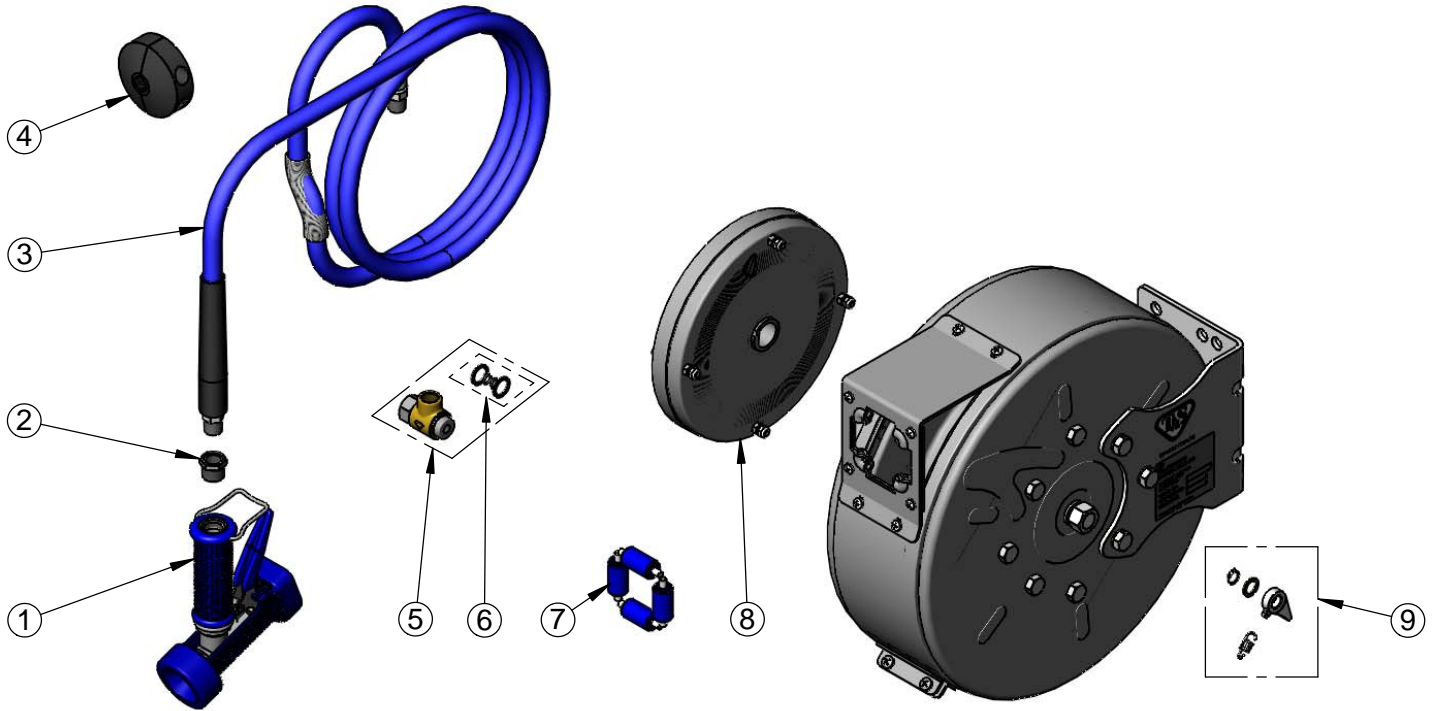
**T&S BRASS AND BRONZE WORKS, INC.**  
 2 Saddleback Cove / P.O. Box 1088  
 Travelers Rest, SC 29690

Model No.  
**B-7122-C02**

Item No.

Travelers Rest, SC: 800-476-4103 • Simi Valley, CA: 800-423-0150 • Fax: 864-834-3518 • www.tsbrass.com

ITEM NO.	SALES NO.	DESCRIPTION
1	MV-2516-24	Rear Trigger Gun, 5/16" Orifice
2	001359-40	Hex Bushing, 1/2" NPT Male x 3/8" NPT Female
3	014943-45	3/8" x 30' Hose Replacement Kit
4	014949-45	Hose Stop Repair Kit
5	014946-45	3/8" Swivel Repair Kit
6	014948-45	O-Ring Replacement Kit
7	014936-45	Roller Replacement Kit
8	014933-45	Small Stainless Steel Spring
9	014940-45	Ratchet Repair Kit



Product Specifications:  
 3/8" x 30' Enclosed Stainless Steel Reel & Stainless Steel Rear Trigger Water Gun, 5/16" Orifice

Product Compliance:  
 NSF 61 Exempt (Non-Potable)