



T&S BRASS AND BRONZE WORKS, INC.

2 Saddleback Cove / P.O. Box 1088
Travelers Rest, SC 29690

Model No.

B-7102-01M

Item No.

Travelers Rest, SC: 800-476-4103 • Simi Valley, CA: 800-423-0150 • Fax: 864-834-3518 • www.tsbrass.com

This Space for Architect/Engineer Approval

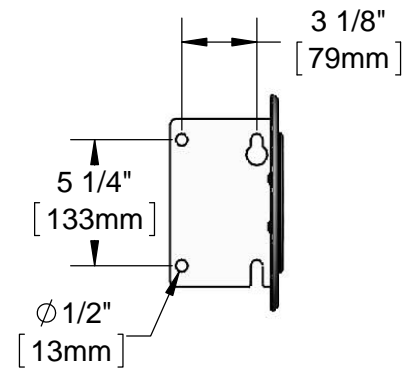
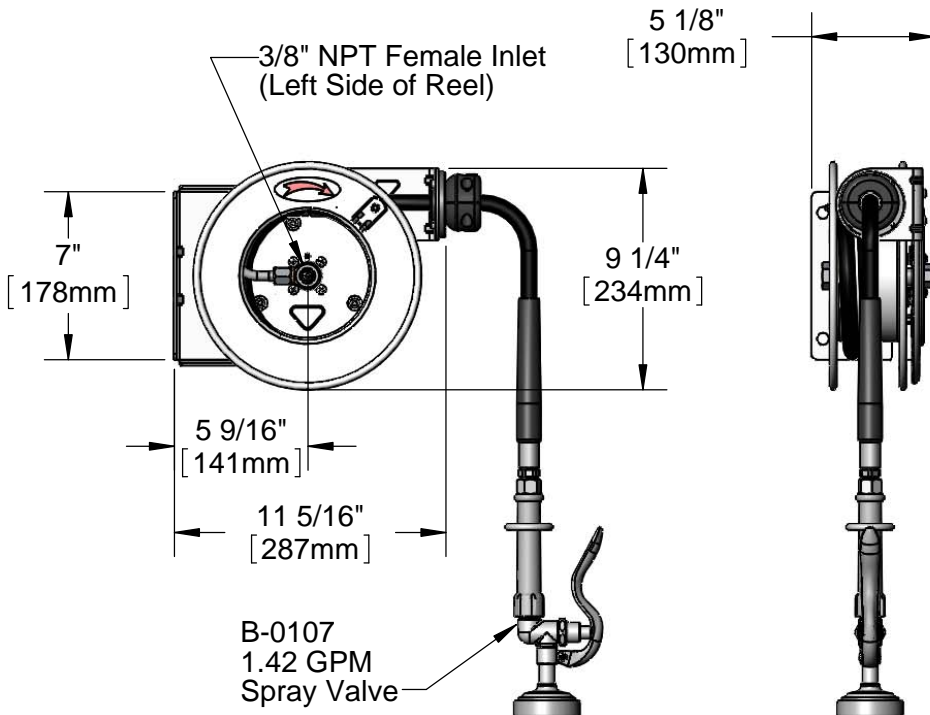
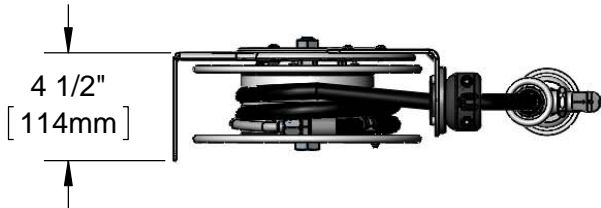
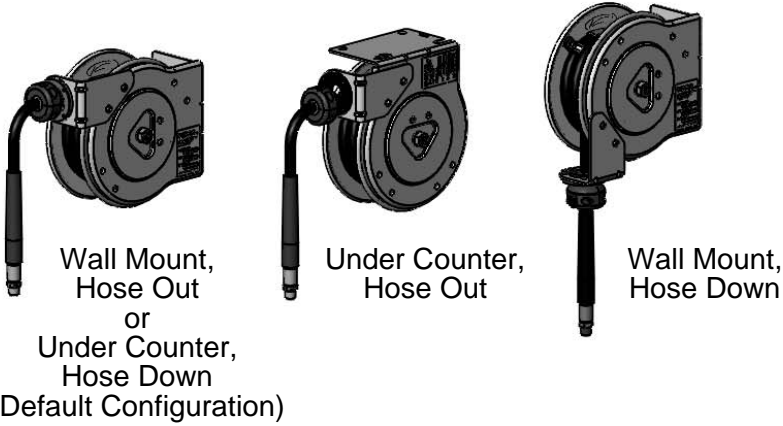
Job Name _____ Date _____

Model Specified _____ Quantity _____

Customer/Wholesaler _____

Contractor _____

Architect/Engineer _____



Mounting Hole
Details

Product Specifications:
3/8" x 12 Ft. Open Stainless Steel Reel w/ 1.42 GPM Spray Valve

Product Compliance:
NSF 61 Exempt (Non-Potable)
EPA Act 2005 (PRSV)



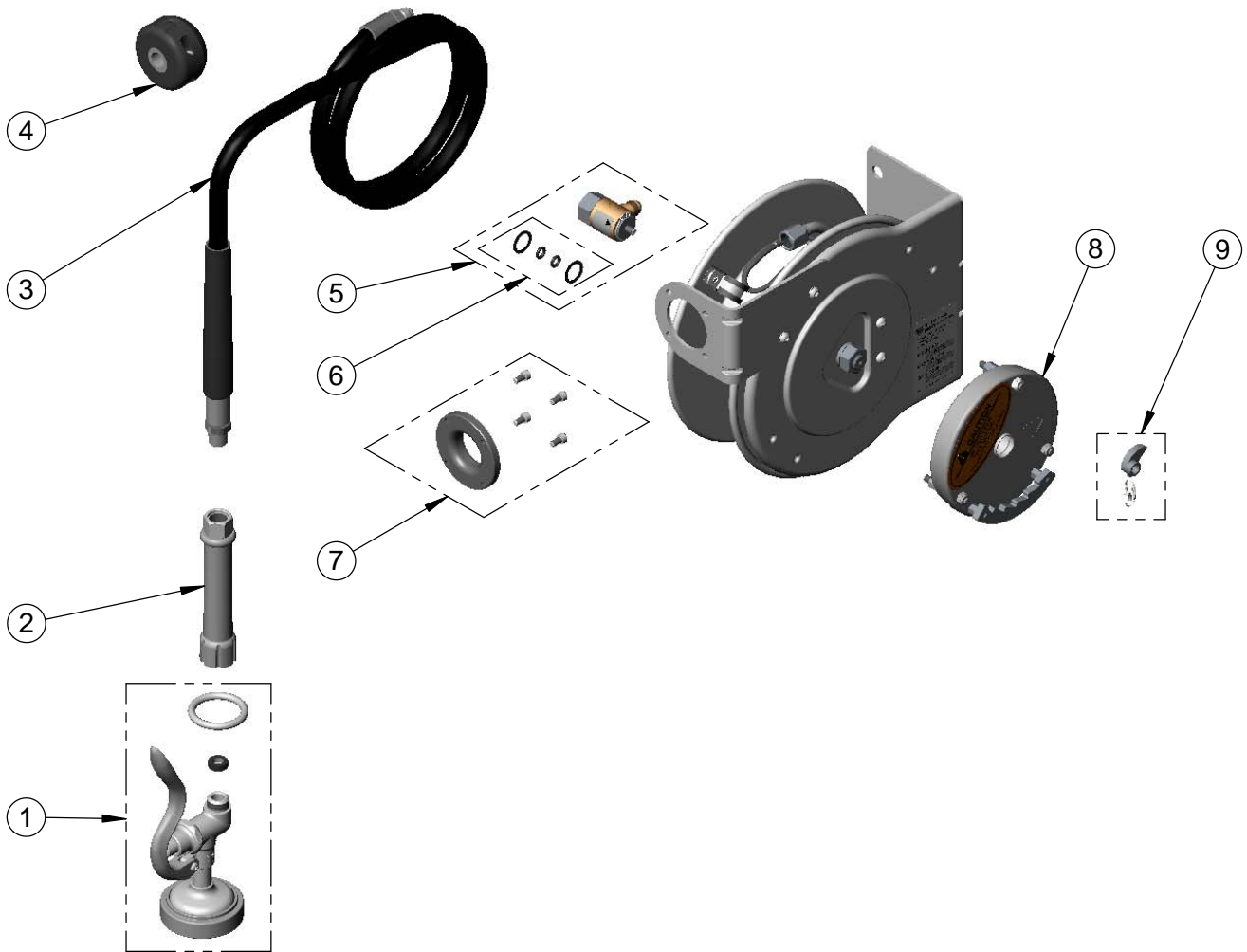
T&S BRASS AND BRONZE WORKS, INC.
 2 Saddleback Cove / P.O. Box 1088
 Travelers Rest, SC 29690

Model No.
B-7102-01M

Item No.

Travelers Rest, SC: 800-476-4103 • Simi Valley, CA: 800-423-0150 • Fax: 864-834-3518 • www.tsbrass.com

ITEM NO.	SALES NO.	DESCRIPTION
1	B-0107	1.42 GPM Spray Valve (Gray)
2	002881-40	Grip Handle (Gray) w/ Washer
3	017938-45	3/8" x 12 Ft. Hose Replacement Kit
4	019246-45	Hose Stop Repair Kit
5	017355-45	Swivel Repair Kit
6	014948-45	O-Ring Replacement Kit
7	017352-45	Guide Bushing Kit
8	017362-45	Spring Assembly
9	017359-45	Ratchet Lever Kit



Product Specifications:
 3/8" x 12 Ft. Open Stainless Steel Reel w/ 1.42 GPM Spray Valve

Product Compliance:
 NSF 61 Exempt (Non-Potable)
 EPA Act 2005 (PRSV)