



# T&S BRASS AND BRONZE WORKS, INC.

2 Saddleback Cove / P.O. Box 1088  
Travelers Rest, SC 29690

Model No.

**B-7102-01**

Item No.

Travelers Rest, SC: 800-476-4103 • Simi Valley, CA: 800-423-0150 • Fax: 864-834-3518 • www.tsbrass.com

This Space for Architect/Engineer Approval

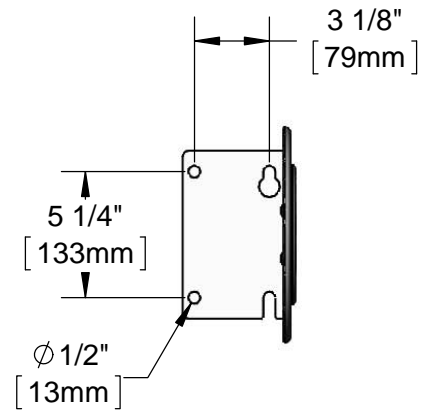
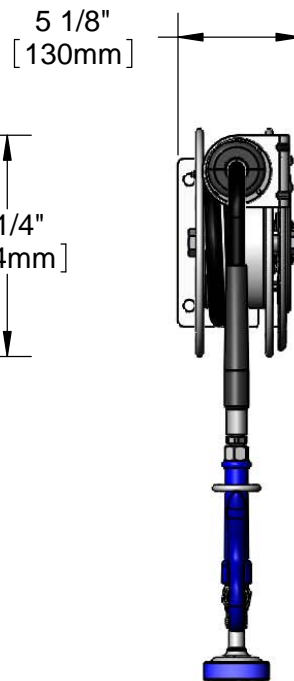
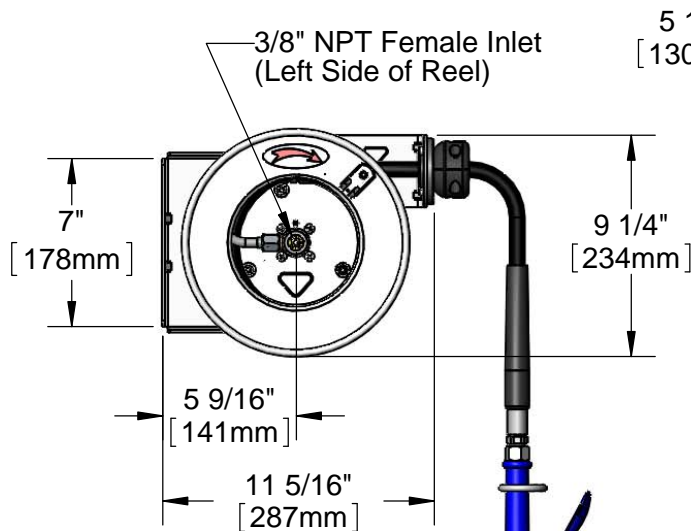
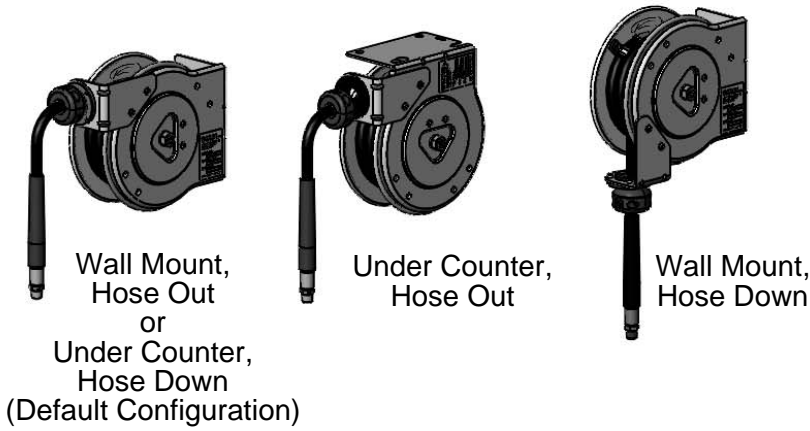
Job Name \_\_\_\_\_ Date \_\_\_\_\_

Model Specified \_\_\_\_\_ Quantity \_\_\_\_\_

Customer/Wholesaler \_\_\_\_\_

Contractor \_\_\_\_\_

Architect/Engineer \_\_\_\_\_



Mounting Hole Details

EB-0107  
High Flow Spray Valve

Product Specifications:  
3/8" x 12 Ft. Open Stainless Steel Reel w/ Blue High Flow Spray Valve

Product Compliance:  
NSF 61 Exempt (Non-Potable)  
EPA Act 2005 Non-Compliant (PRSV)



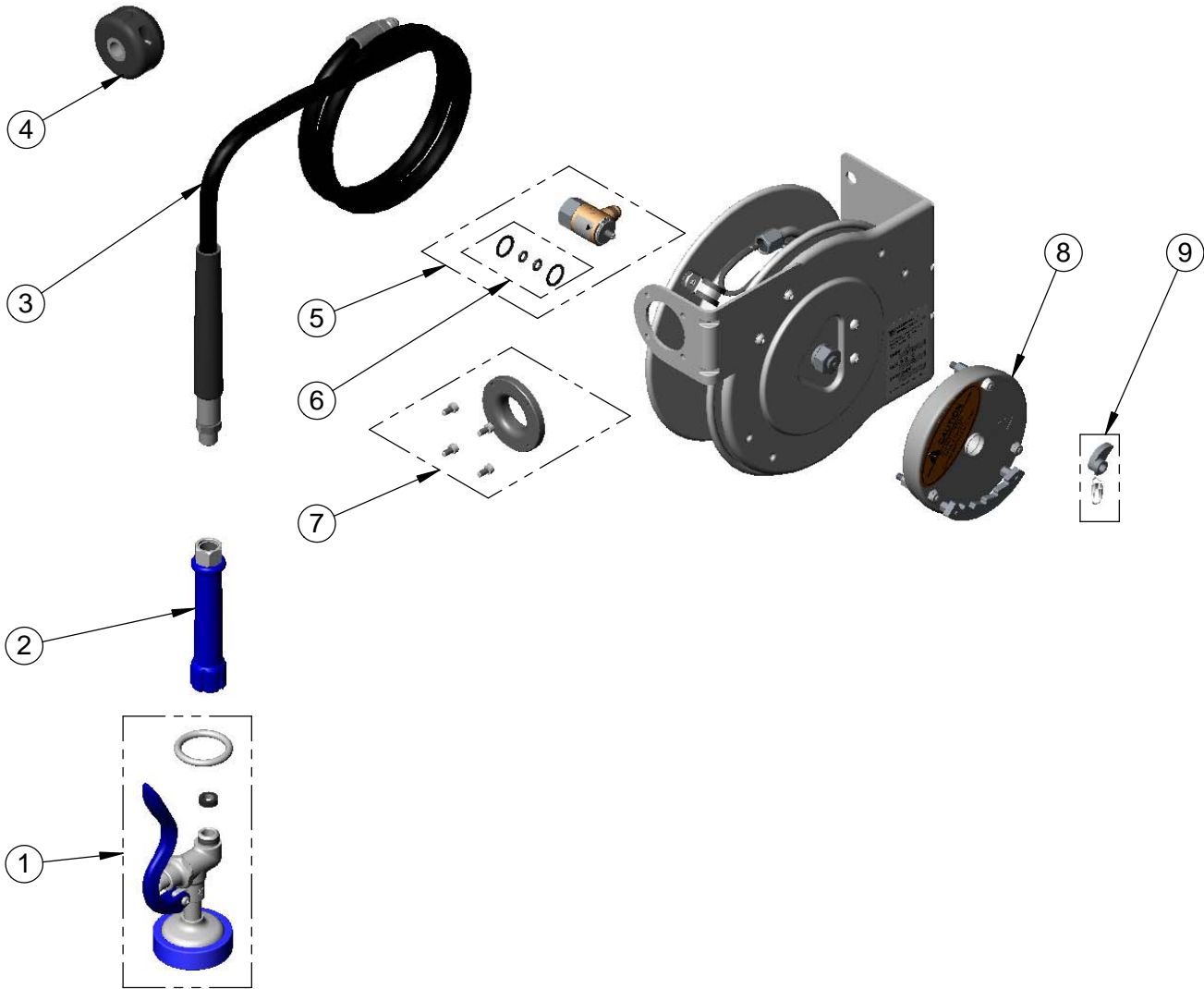
**T&S BRASS AND BRONZE WORKS, INC.**  
 2 Saddleback Cove / P.O. Box 1088  
 Travelers Rest, SC 29690

Model No.  
**B-7102-01**

Item No.

Travelers Rest, SC: 800-476-4103 • Simi Valley, CA: 800-423-0150 • Fax: 864-834-3518 • www.tsbrass.com

ITEM NO.	SALES NO.	DESCRIPTION
1	EB-0107	High Flow Spray Valve (Blue)
2	012504-40	Grip Handle (Blue) w/ Washer
3	017938-45	3/8" x 12 Ft. Hose Replacement Kit
4	019246-45	Hose Stop Repair Kit
5	017355-45	Swivel Repair Kit
6	014948-45	O-Ring Replacement Kit
7	017352-45	Guide Bushing Kit
8	017362-45	Spring Assembly
9	017359-45	Ratchet Lever Kit



Product Specifications:  
 3/8" x 12 Ft. Open Stainless Steel Reel w/ Blue High Flow Spray Valve

Product Compliance:  
 NSF 61 Exempt (Non-Potable)  
 EPA Act 2005 Non-Compliant (PRSV)