



T&S BRASS AND BRONZE WORKS, INC.

2 Saddleback Cove / P.O. Box 1088
Travelers Rest, SC 29690

Model No.

B-2850

Item No.

Travelers Rest, SC: 800-476-4103 • Simi Valley, CA: 800-423-0150 • Fax: 864-834-3518 • www.tsbrass.com



ADA Compliant

This Space for Architect/Engineer Approval

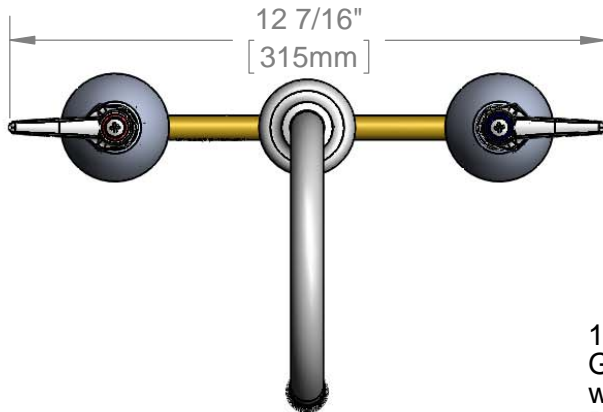
Job Name _____ Date _____

Model Specified _____ Quantity _____

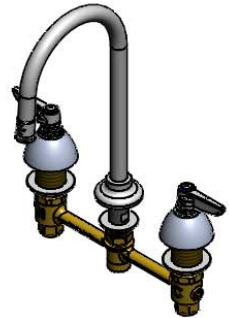
Customer/Wholesaler _____

Contractor _____

Architect/Engineer _____



120X Rigid
Gooseneck
w/ Stream
Regulator Outlet



Ø2"
Rigid Deck
Flange

Eterna Cartridges &
Lever Handles w/
Color Coded Indexes

5 11/16"
[144mm]

5 1/2"
[140mm]

10 11/16"
[271mm]

2 9/16"
[64mm]

Mounting
Surface

1 1/4"
[32mm]
Maximum
Thickness

1/2" NPSM
Male Inlets w/
Coupling Nuts

8"
[203mm]

Ø2 1/4"
[57mm]
Escutcheons

Rough-In Requirement:
Center Shank: Ø1" [25mm] Mounting Hole
Hot/Cold Side: Ø1 1/2" [38mm] Mounting Holes

Product Specifications:
8" Deck Mount EasyInstall Mixing Faucet, Eterna Cartridges, Lever Handles,
Rigid Gooseneck, Stream Regulator Outlet & 1/2" NPSM Male Inlets

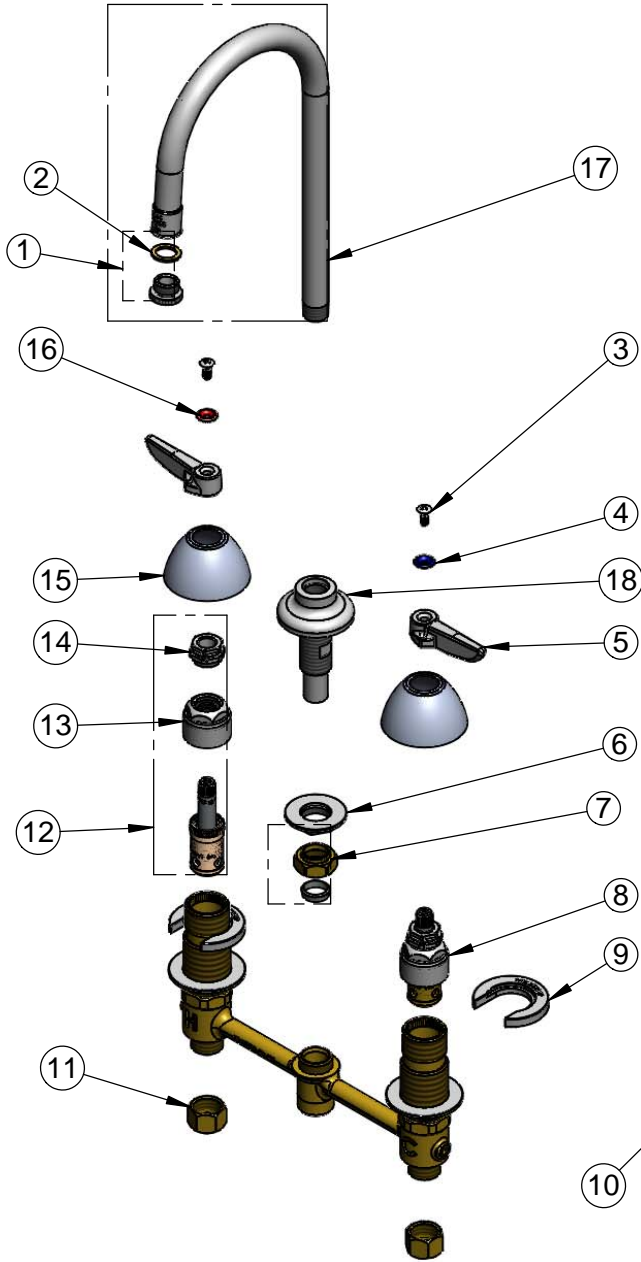
Product Compliance:
ASME A112.18.1 / CSA B125.1
NSF 61 - Section 9
NSF 372 (Low Lead Content)
ANSI A117.1 (ADA)



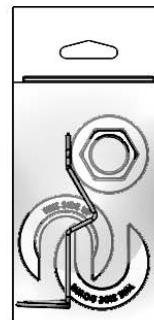
T&S BRASS AND BRONZE WORKS, INC.
 2 Saddleback Cove / P.O. Box 1088
 Travelers Rest, SC 29690

Model No.
B-2850
 Item No.

Travelers Rest, SC: 800-476-4103 • Simi Valley, CA: 800-423-0150 • Fax: 864-834-3518 • www.tsbrass.com



ITEM NO.	SALES NO.	DESCRIPTION
1	B-LT	Stream Regulator Outlet
2	001043-45	Washer
3	000922-45	Lever Handle Screw
4	001660-45	Blue Index-CW
5	001638-45	Lever Handle
6	016742-45	Center Flange Nut
7	016745-45	Compression Nut & Fitting
8	016752-40	EasyInstall CWS LTC Eterna (Teflon)
9	016749-45	Sidebody C-Washer
10	016777-45	CWS Hanger
11	000958-20	Coupling Nut
12	016753-40	EasyInstall CWS RTC Eterna (Teflon)
13	016743-25	CWS Eterna Bonnet
14	009002-25	Packing Nut
15	001257-40	Bell Escutcheon
16	001661-45	Red Index-HW
17	120X	Rigid Gooseneck
18	016847-40	EasyInstall CWS Rigid Center Shank



017245-40
 Installation Repair Kit
 Includes #6, (2)#9, & #10

Product Specifications:
 8" Deck Mount EasyInstall Mixing Faucet, Eterna Cartridges, Lever Handles, Rigid Gooseneck, Stream Regulator Outlet & 1/2" NPSM Male Inlets

Product Compliance:
 ASME A112.18.1 / CSA B125.1
 NSF 61 - Section 9
 NSF 372 (Low Lead Content)
 ANSI A117.1 (ADA)