



T&S BRASS AND BRONZE WORKS, INC.
 2 Saddleback Cove / P.O. Box 1088
 Travelers Rest, SC 29690

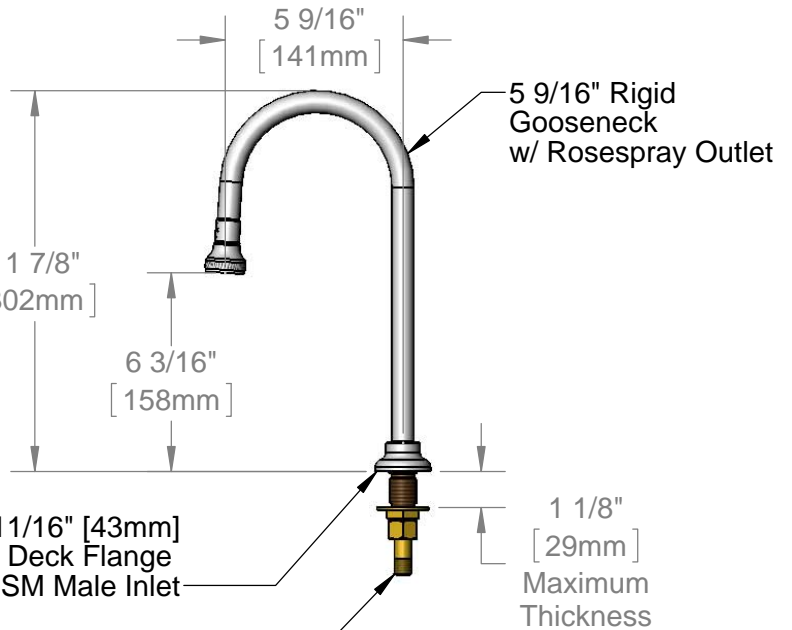
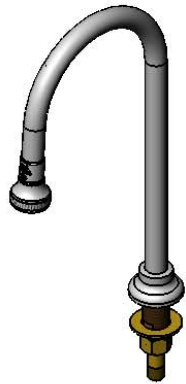
Model No.
B-2464

Item No.

Travelers Rest, SC: 800-476-4103 • Simi Valley, CA: 800-423-0150 • Fax: 864-834-3518 • www.tsbrass.com

This Space for Architect/Engineer Approval

Job Name _____ Date _____
 Model Specified _____ Quantity _____
 Customer/Wholesaler _____
 Contractor _____
 Architect/Engineer _____

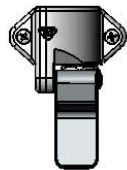


Mounting Surface

1 7/8" [47mm]

150A Optional Tailpiece & Nut For 1/4" NPT Connection (Included)

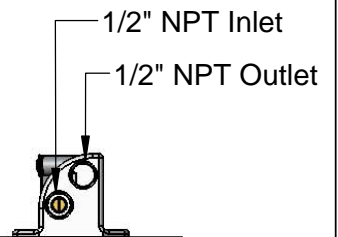
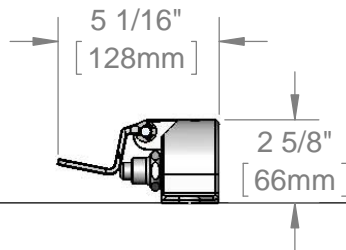
Rough-In Requirement:
 Ø 1" [25mm] Mounting Hole



Furnished w/ (2) Mounting Screws



Mounting Surface



Product Specifications:
 5 9/16" Dummy Gooseneck w/ Deck Mount Flange, Rosespray Outlet & Single Foot Pedal Valve w/ Fast Self-Closing Cartridge

Product Compliance:
 ASME A112.18.1 / CSA B125.1
 NSF 61 - Section 9
 NSF 372 (Low Lead Content)



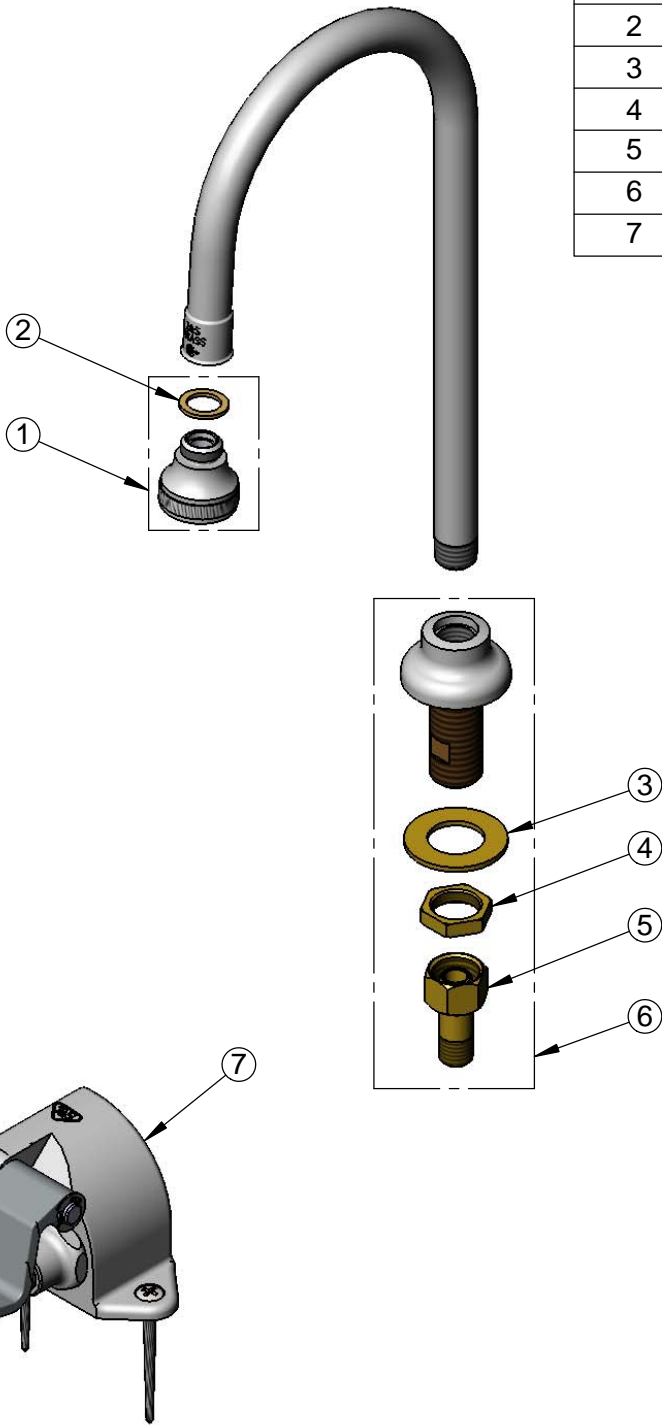
T&S BRASS AND BRONZE WORKS, INC.
 2 Saddleback Cove / P.O. Box 1088
 Travelers Rest, SC 29690

Model No.
B-2464

Item No.

Travelers Rest, SC: 800-476-4103 • Simi Valley, CA: 800-423-0150 • Fax: 864-834-3518 • www.tsbrass.com

ITEM NO.	SALES NO.	DESCRIPTION
1	B-0103	Rosespray Outlet
2	001043-45	Washer
3	000999-45	Brass Lock Washer
4	002954-45	Shank Lock Nut
5	150A	1/4" NPT Tailpiece & Nut
6	B-0430	Rigid Base Deck Mount Flange
7	B-0507	Single Pedal Valve



Product Specifications:
 5 9/16" Dummy Gooseneck w/ Deck Mount Flange, Rosespray Outlet
 & Single Foot Pedal Valve w/ Fast Self-Closing Cartridge

Product Compliance:
 ASME A112.18.1 / CSA B125.1
 NSF 61 - Section 9
 NSF 372 (Low Lead Content)