



# T&S BRASS AND BRONZE WORKS, INC.

2 Saddleback Cove / P.O. Box 1088  
Travelers Rest, SC 29690

Model No.

**B-2338**

Item No.

Travelers Rest, SC: 800-476-4103 • Simi Valley, CA: 800-423-0150 • Fax: 864-834-3518 • www.tsbrass.com

This Space for Architect/Engineer Approval

Job Name \_\_\_\_\_ Date \_\_\_\_\_

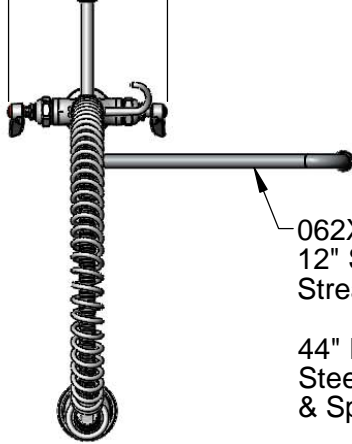
Model Specified \_\_\_\_\_ Quantity \_\_\_\_\_

Customer/Wholesaler \_\_\_\_\_

Contractor \_\_\_\_\_

Architect/Engineer \_\_\_\_\_

7 7/16"  
[189mm]



062X  
12" Swing Nozzle w/  
Stream Regulator Outlet

44" Flexible Stainless  
Steel Hose w/ Spring  
& Spray Valve

Items Not Shown  
for Clarity

Finger Hook

B-0107  
1.42 GPM  
Spray Valve

3/8" NPT x 18" Riser

2 5/16"  
[58mm]

12"  
[305mm]

14 9/16"  
[370mm]

11 13/16"  
[300mm]

10 9/16"  
[269mm]

14 1/16"  
[357mm]

Mounting Surface

Eterna Cartridges  
w/ Spring Check  
& Lever Handles  
w/ Color Coded Indexes

18" Flexible  
Stainless Steel  
Supply Hoses

Compression Fittings  
for 5/8" O.D. Copper Tubing  
(Remove Compression Nut  
for 1/2" NPSM Male)

40 1/8"  
[1020mm]

B-0109-01  
6" Wall  
Bracket

2 5/16"  
[59mm]

Add-On  
Faucet  
w/ Eterna  
Cartridge  
& Lever  
Handle

1 1/8"  
[28mm]  
Maximum  
Thickness

Rough-In Requirement:  
Ø 1 1/2" [38mm] Mounting Hole

**Product Specifications:**

Pre-Rinse Unit: Single Hole Deck Mount Mixing Faucet, Eterna Cartridges w/ Spring Checks, Lever Handles, Add-On Faucet, 12" Swing Nozzle w/ Stream Regulator Outlet, 44" Flexible Stainless Steel Hose, 1.42 GPM Spray Valve, 6" Wall Bracket & 18" Flexible Stainless Steel Supply Hoses w/ 1/2" NPSM Male Inlets

**Product Compliance:**

ASME A112.18.1 / CSA B125.1  
NSF 61 - Section 9  
NSF 372 (Low Lead Content)  
EPA Act 2005 (PRSV)



# T&S BRASS AND BRONZE WORKS, INC.

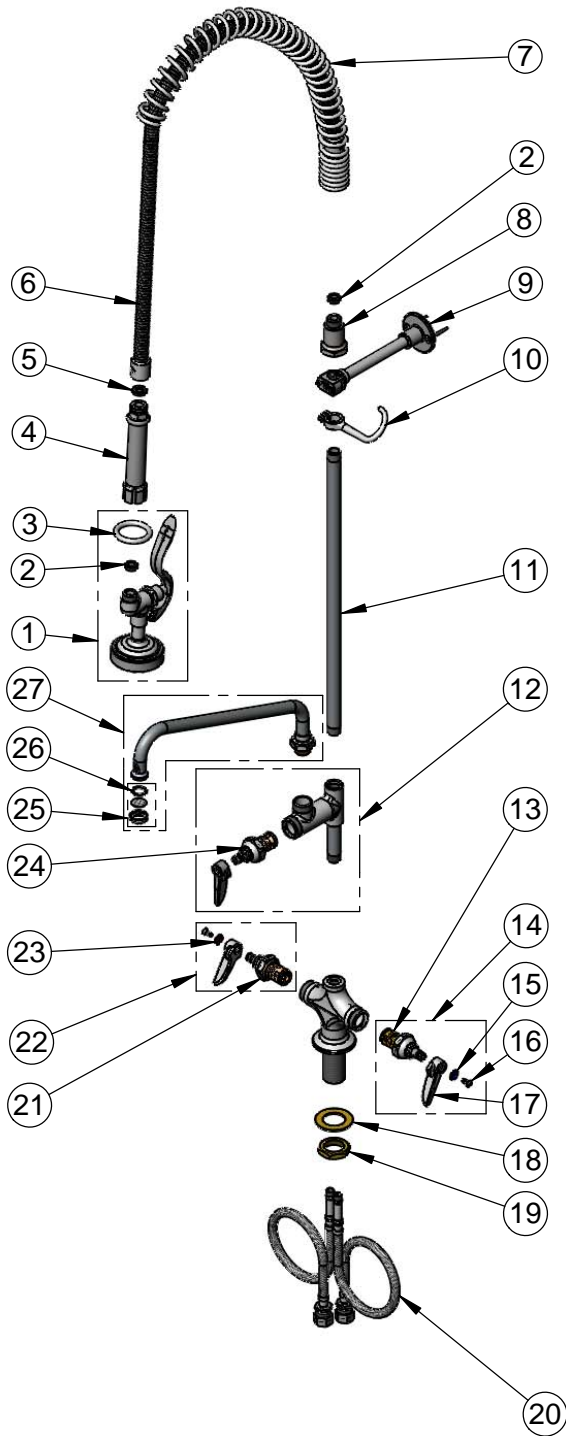
2 Saddleback Cove / P.O. Box 1088  
Travelers Rest, SC 29690

Model No.

**B-2338**

Item No.

Travelers Rest, SC: 800-476-4103 • Simi Valley, CA: 800-423-0150 • Fax: 864-834-3518 • www.tsbrass.com



ITEM NO.	SALES NO.	DESCRIPTION
1	B-0107	1.42 GPM Spray Valve
2	010476-45	#27 Washer
3	000907-45	Spray Valve Hold Down Ring
4	002987-40	Grip Handle
5	001014-45	Washer, B-0100 Hose Barrel
6	B-0044-H2A	44" Flexible Stainless Steel Hose, Less Handle
7	000888-45	EasyInstall Overhead Spring
8	000821-40	Spring Body
9	B-0109-01	6" Wall Bracket
10	004R	Finger Hook
11	000369-40	3/8" NPT x 18" Riser
12	B-0155-LN	Add-On Faucet, Less Nozzle
13	012442-40	Eterna Cartridge, LTC w/ Spring Check
14	002711-40	Eterna Cartridge, LTC w/ Spring Check, Handle, Index & Screw
15	001660-45	Blue Index-CW
16	000922-45	Lever Handle Screw
17	001638-45	Lever Handle
18	002290-45	Lock Washer
19	000965-45	Lock Nut
20	012534-45	18" Flexible Supply Hose (2)
21	012443-40	Eterna Cartridge, RTC w/ Spring Check
22	002712-40	Eterna Cartridge, RTC w/ Spring Check, Handle, Index & Screw
23	001661-45	Red Index-HW
24	005960-40QT	1/4 Turn Eterna Cartridge, RTC
25	B-PT	Stream Regulator Outlet
26	001048-45	Nozzle Tip Washer
27	062X	12" Swing Nozzle

**Product Specifications:**

Pre-Rinse Unit: Single Hole Deck Mount Mixing Faucet, Eterna Cartridges w/ Spring Checks, Lever Handles, Add-On Faucet, 12" Swing Nozzle w/ Stream Regulator Outlet, 44" Flexible Stainless Steel Hose, 1.42 GPM Spray Valve, 6" Wall Bracket & 18" Flexible Stainless Steel Supply Hoses w/ 1/2" NPSM Male Inlets

**Product Compliance:**

ASME A112.18.1 / CSA B125.1  
NSF 61 - Section 9  
NSF 372 (Low Lead Content)  
EPA Act 2005 (PRSV)