



**T&S BRASS AND BRONZE WORKS, INC.**  
 2 Saddleback Cove / P.O. Box 1088  
 Travelers Rest, SC 29690

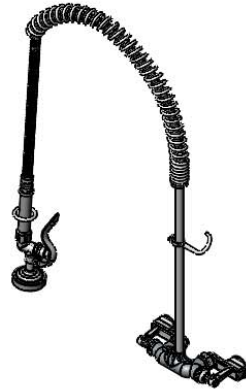
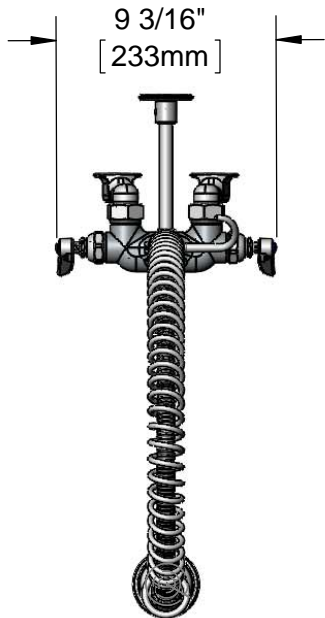
Model No.  
**B-2261-B**

Item No.

Travelers Rest, SC: 800-476-4103 • Simi Valley, CA: 800-423-0150 • Fax: 864-834-3518 • www.tsbrass.com

This Space for Architect/Engineer Approval

Job Name \_\_\_\_\_ Date \_\_\_\_\_  
 Model Specified \_\_\_\_\_ Quantity \_\_\_\_\_  
 Customer/Wholesaler \_\_\_\_\_  
 Contractor \_\_\_\_\_  
 Architect/Engineer \_\_\_\_\_



44" Flexible Stainless Steel Hose w/ Spring & Spray Valve

33 5/16" [847mm]

Items Not Shown for Clarity

Finger Hook

3/8" NPT x 18" Riser

Eterna Cartridges w/ Spring Checks & Lever Handles w/ Color Coded Indexes

Ø2" [51mm] Flanges w/ 1/2" NPT Female Inlets

Adjustable From 2" to 8 3/8" [51mm to 213mm] Above or Below Centerline

3 3/4" [96mm]

B-0107 1.42 GPM Spray Valve

B-0109-01 6" Wall Bracket

14 1/16" [357mm]

3 1/16" [77mm]

Mounting Surface

Product Specifications:

Pre-Rinse Unit: Wall Mount Mixing Faucet, Eterna Cartridges w/ Spring Checks, Lever Handles, 44" Flexible Stainless Steel Hose, 1.42 GPM Spray Valve, 6" Wall Bracket & 1/2" NPT Female Adjustable Flange Inlets

Product Compliance:

ASME A112.18.1 / CSA B125.1  
 NSF 61 - Section 9  
 NSF 372 (Low Lead Content)  
 EPA Act 2005 (PRSV)



# T&S BRASS AND BRONZE WORKS, INC.

2 Saddleback Cove / P.O. Box 1088  
Travelers Rest, SC 29690

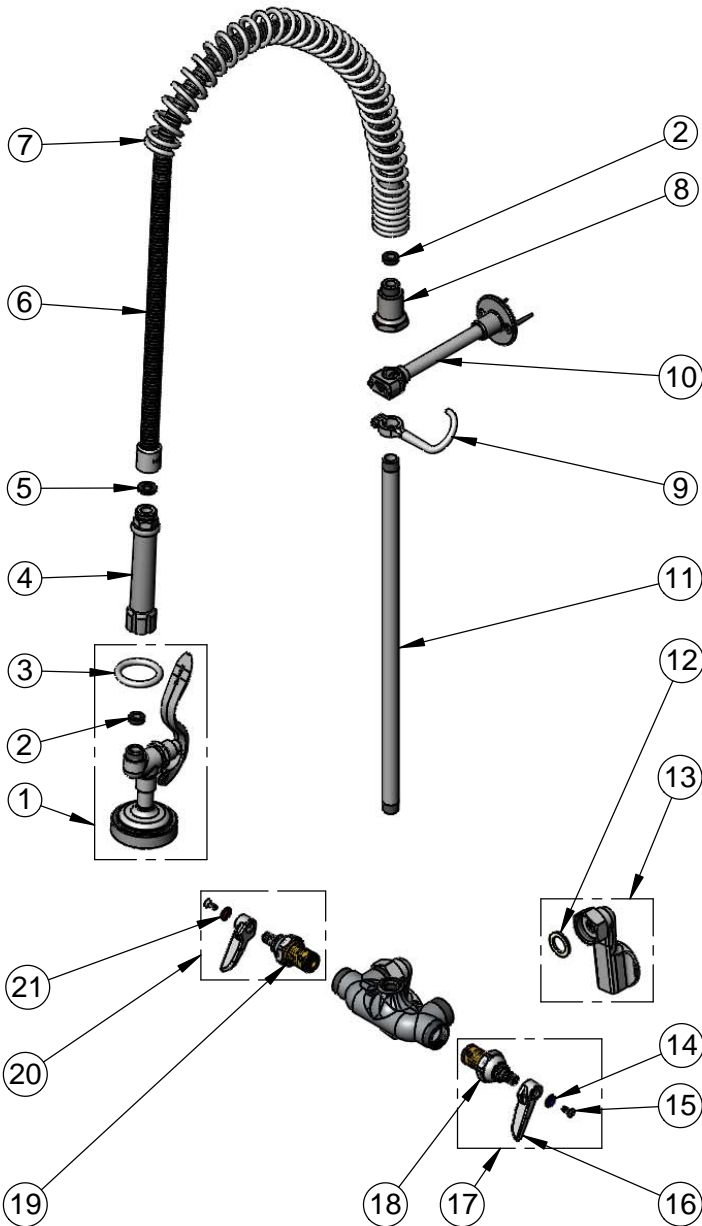
Model No.

**B-2261-B**

Item No.

Travelers Rest, SC: 800-476-4103 • Simi Valley, CA: 800-423-0150 • Fax: 864-834-3518 • www.tsbrass.com

ITEM NO.	SALES NO.	DESCRIPTION
1	B-0107	1.42 GPM Spray Valve
2	010476-45	#27 Washer
3	000907-45	Spray Valve Hold Down Ring
4	002987-40	Grip Handle
5	001014-45	Washer, B-0100 Hose Barrel
6	B-0044-H2A	44" Flexible Stainless Steel Hose, Less Handle
7	000888-45	EasyInstall Overhead Spring
8	000821-40	Spring Body
9	004R	Finger Hook
10	B-0109-01	6" Wall Bracket
11	000369-40	3/8" NPT x 18" Riser
12	001019-45	Coupling Nut Washer
13	00GG	1/2" NPT Female Adjustable Flange
14	001660-45	Blue Index-CW
15	000922-45	Lever Handle Screw
16	001638-45	Lever Handle
17	002711-40	Eterna Cartridge, LTC w/ Spring Check, Handle, Index & Screw
18	012442-40	Eterna Cartridge, LTC w/ Spring Check
19	012443-40	Eterna Cartridge, RTC w/ Spring Check
20	002712-40	Eterna Cartridge, RTC w/ Spring Check, Handle, Index & Screw
21	001661-45	Red Index-HW



**Product Specifications:**  
Pre-Rinse Unit: Wall Mount Mixing Faucet, Eterna Cartridges w/ Spring Checks, Lever Handles, 44" Flexible Stainless Steel Hose, 1.42 GPM Spray Valve, 6" Wall Bracket & 1/2" NPT Female Adjustable Flange Inlets

**Product Compliance:**  
ASME A112.18.1 / CSA B125.1  
NSF 61 - Section 9  
NSF 372 (Low Lead Content)  
EPA Act 2005 (PRSV)