



**T&S BRASS AND BRONZE WORKS, INC.**  
 2 Saddleback Cove / P.O. Box 1088  
 Travelers Rest, SC 29690

Model No.  
**B-1444**

Item No.

Travelers Rest, SC: 800-476-4103 • Simi Valley, CA: 800-423-0150 • Fax: 864-834-3518 • www.tsbrass.com

This Space for Architect/Engineer Approval

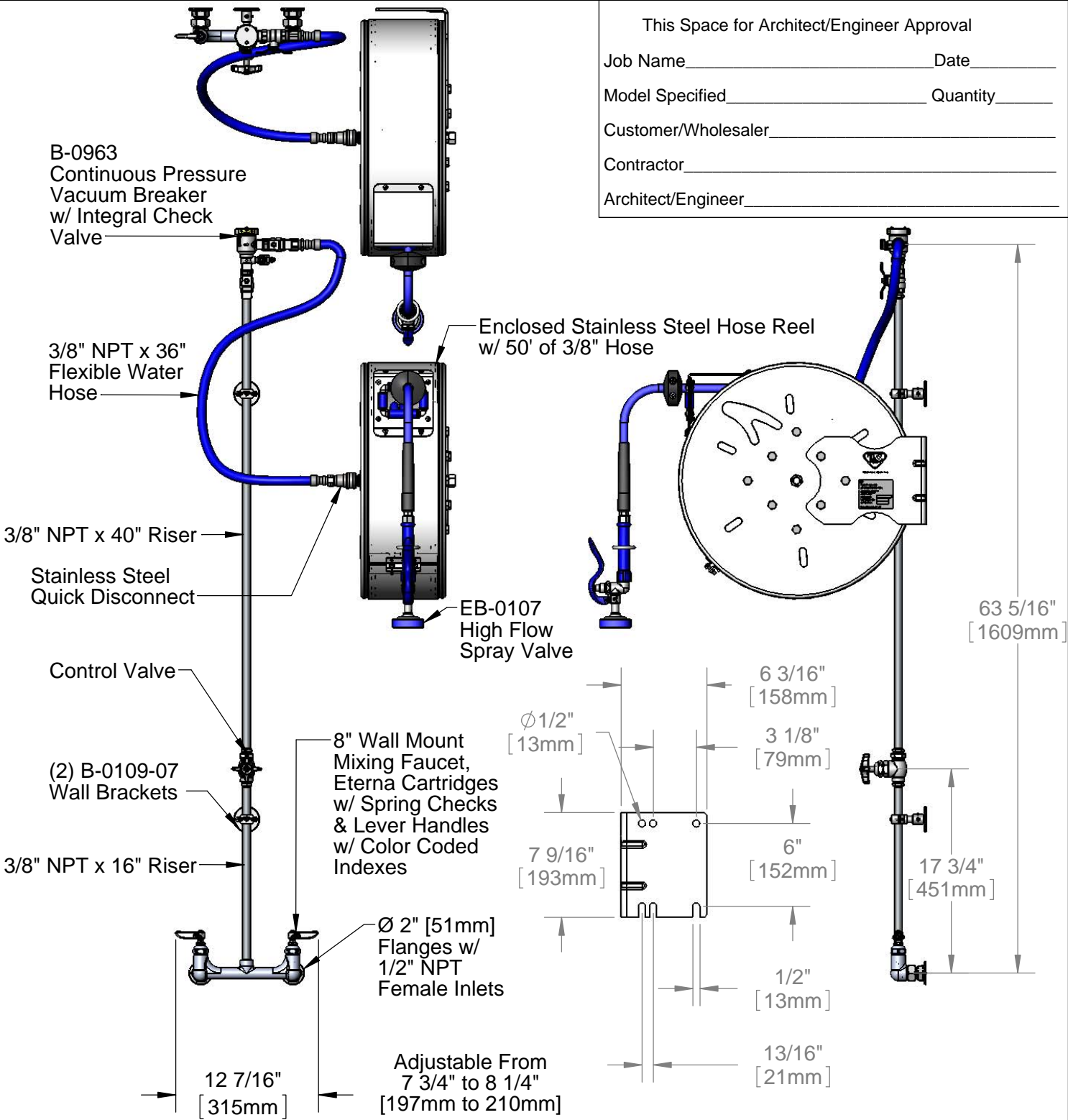
Job Name \_\_\_\_\_ Date \_\_\_\_\_

Model Specified \_\_\_\_\_ Quantity \_\_\_\_\_

Customer/Wholesaler \_\_\_\_\_

Contractor \_\_\_\_\_

Architect/Engineer \_\_\_\_\_



**Product Specifications:**  
 Enclosed Stainless Steel Hose Reel w/ 50' of 3/8" Hose, High Flow  
 Spray Valve, Vacuum Breaker, 3/8" NPT Flexible Connector,  
 8" Wall Mount Mixing Faucet & Control Valve

**Product Compliance:**  
 NSF 61 Exempt (Non-Potable)  
 EPA Act 2005 Non-Compliant (PRSV)  
 ASSE 1056 (VB)



# T&S BRASS AND BRONZE WORKS, INC.

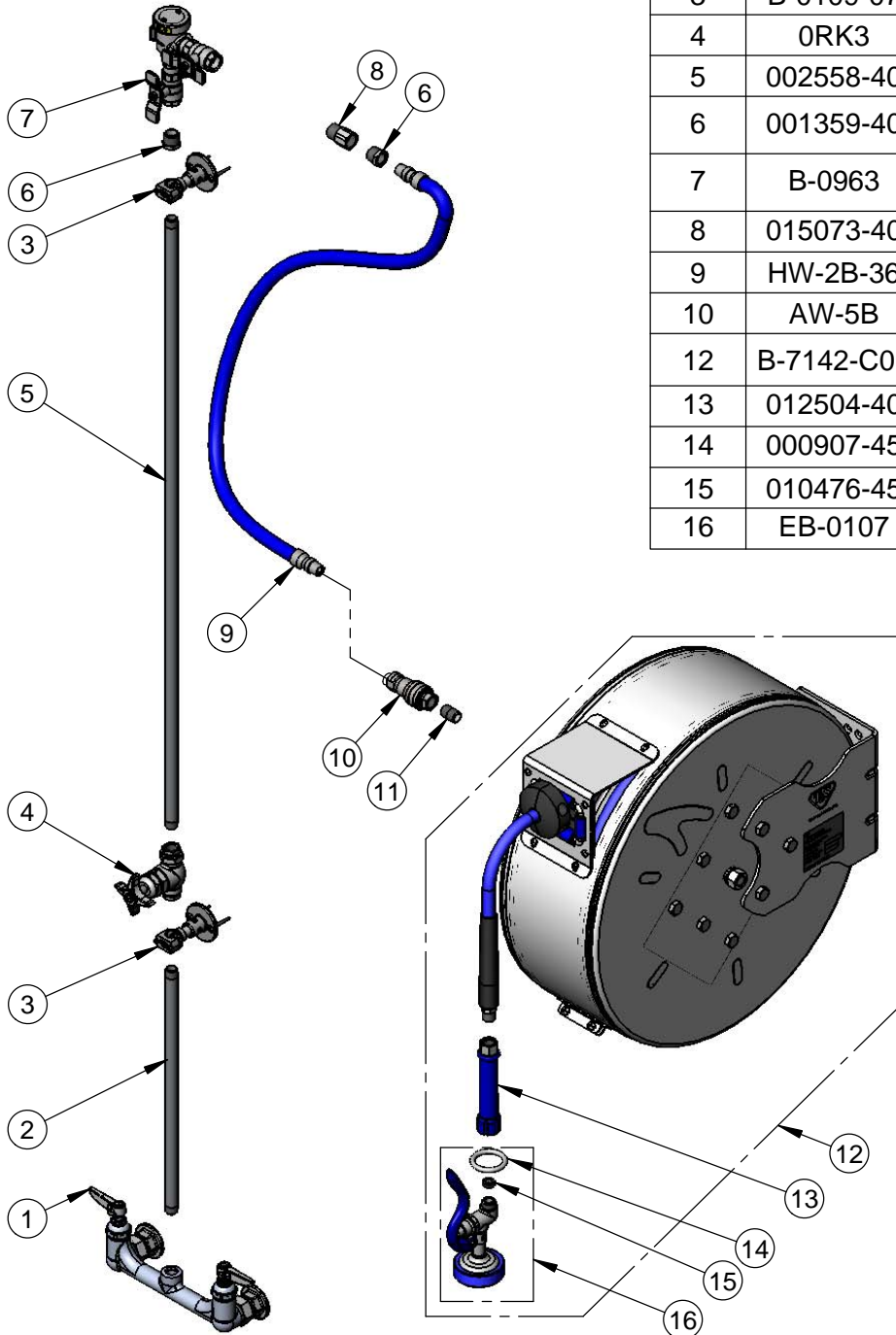
2 Saddleback Cove / P.O. Box 1088  
Travelers Rest, SC 29690

Model No.

**B-1444**

Item No.

Travelers Rest, SC: 800-476-4103 • Simi Valley, CA: 800-423-0150 • Fax: 864-834-3518 • www.tsbrass.com



| ITEM NO. | SALES NO.  | DESCRIPTION   |
|----------|------------|---|
| 1        | 002832-40  | 8" Wall Mount Mixing Faucet                             |
| 2        | 000368-40  | 3/8" NPT x 16" Riser                                    |
| 3        | B-0109-07  | Wall Bracket  |
| 4        | 0RK3       | Control Valve   |
| 5        | 002558-40  | 3/8" NPT x 40" Riser                                    |
| 6        | 001359-40  | 1/2" NPT Male x 3/8" NPT Female Hex Bushing             |
| 7        | B-0963     | 1/2" NPT Continuous Pressure VB w/ Integral Check Valve |
| 8        | 015073-40  | Check Valve w/ 1/2" NPT Adapter                         |
| 9        | HW-2B-36   | 3/8" NPT x 36" Flexible Water Hose                      |
| 10       | AW-5B      | 3/8" NPT Quick Disconnect                               |
| 12       | B-7142-C01 | Enclosed Stainless Steel Reel 50' of 3/8" Hose          |
| 13       | 012504-40  | Grip Handle (Blue), 3/8 NPT                             |
| 14       | 000907-45  | Spray Valve Hold Down Ring                              |
| 15       | 010476-45  | #27 Washer  |
| 16       | EB-0107    | High Flow Spray Valve (Blue)                            |

**Product Specifications:**

Enclosed Stainless Steel Hose Reel w/ 50' of 3/8" Hose, High Flow Spray Valve, Vacuum Breaker, 3/8" NPT Flexible Connector, 8" Wall Mount Mixing Faucet & Control Valve

**Product Compliance:**

NSF 61 Exempt (Non-Potable)  
EPA Act 2005 Non-Compliant (PRSV)  
ASSE 1056 (VB)