



T&S BRASS AND BRONZE WORKS, INC.

2 Saddleback Cove / P.O. Box 1088
Travelers Rest, SC 29690

Model No.

B-1433

Item No.

Travelers Rest, SC: 800-476-4103 • Simi Valley, CA: 800-423-0150 • Fax: 864-834-3518 • www.tsbrass.com

This Space for Architect/Engineer Approval

Job Name _____ Date _____

Model Specified _____ Quantity _____

Customer/Wholesaler _____

Contractor _____

Architect/Engineer _____

B-0963
Continuous Pressure
Vacuum Breaker w/
Integral Check Valve

3/8" NPT x 36"
Flexible Water
Connector

Stainless Steel
Quick Disconnect

3/8" NPT x 40" Riser

Control Valve

(2) B-0109-07
Wall Brackets

3/8" NPT x 16" Riser

3 11/16"
[94mm]

Adjustable From
7 3/4" to 8 1/4"
[197mm to 210mm]

8" Wall Mount
Mixing Faucet,
Eterna Cartridges
w/ Spring Checks
& Lever Handles
& Color Coded
Indexes

12 7/16"
[315mm]

Ø 2" [51mm]
Flanges w/
1/2" NPT
Female Inlets

8"
[203mm]

Enclosed Coated Hose Reel
w/ 30' of 3/8" Hose

EB-0107
High Flow
Spray Valve
(Blue)

5 1/2"
[139mm]

2 3/8"
[60mm]

Ø 1/2"
[13mm]
Typ

6 7/16"
[164mm]

5 1/4"
[133mm]

1/2"
[13mm]
Typ

3/4"
[19mm]

63 5/16"
[1609mm]

17 3/4"
[451mm]

2 3/8"
[61mm]

Mounting Surface

Product Specifications:

Enclosed Coated Hose Reel w/ 30' of 3/8" Hose, High Flow Spray Valve (Blue), Vacuum Breaker, 3/8" NPT Flexible Water Connector, 8" Wall Mount Mixing Faucet & Control Valve

Product Compliance:

NSF 61 Exempt (Non-Potable)
EPA Act 2005 Non-Compliant (PRSV)
ASSE 1056 (VB)



T&S BRASS AND BRONZE WORKS, INC.

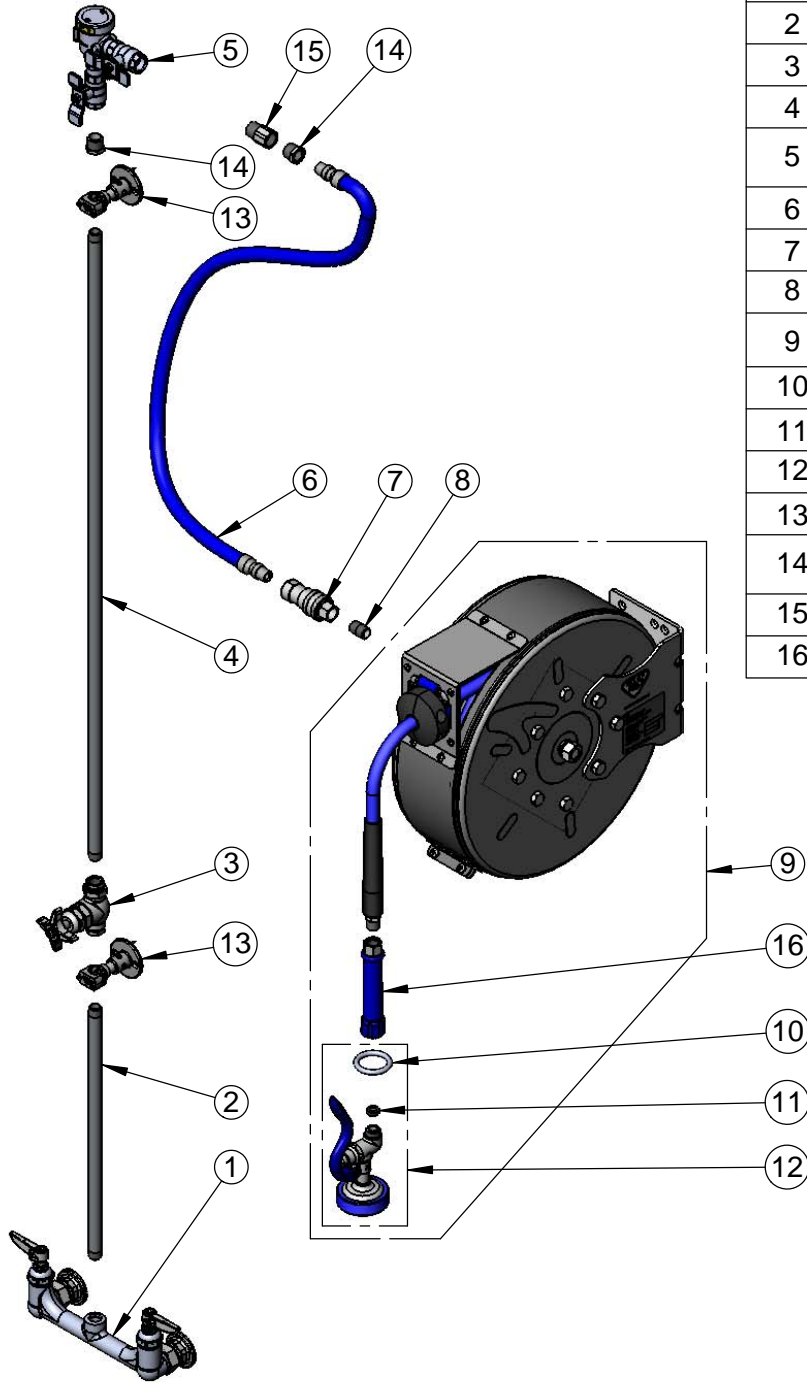
2 Saddleback Cove / P.O. Box 1088
Travelers Rest, SC 29690

Model No.

B-1433

Item No.

Travelers Rest, SC: 800-476-4103 • Simi Valley, CA: 800-423-0150 • Fax: 864-834-3518 • www.tsbrass.com



ITEM NO.	SALES NO.	DESCRIPTION
1	002832-40	8" Wall Mount Mixing Faucet
2	000368-40	3/8" NPT x 16" Riser
3	0RK3	Control Valve
4	002558-40	3/8" NPT x 40" Riser
5	B-0963	1/2" NPT Continuous Pressure VB w/ Integral Check Valve
6	HW-2B-36	3/8" NPT x 36" Flexible Water Hose
7	AW-5B	3/8" NPT Quick Disconnect
8	002535-25	3/8" NPT Close Nipple
9	B-7222-C01	Enclosed Coated Reel w/ 30' of 3/8" Hose
10	000907-45	Spray Valve Hold Down Ring
11	010476-45	#27 Washer
12	EB-0107	High Flow Spray Valve (Blue)
13	B-0109-07	Wall Bracket
14	001359-40	1/2" NPT Male x 3/8" NPT Female Hex Bushing
15	015073-40	Check Valve w/ 1/2" NPT Adapter
16	012504-40	Grip Handle (Blue), 3/8" NPT

Product Specifications:

Enclosed Coated Hose Reel w/ 30' of 3/8" Hose, High Flow Spray Valve (Blue), Vacuum Breaker, 3/8" NPT Flexible Water Connector, 8" Wall Mount Mixing Faucet & Control Valve

Product Compliance:

NSF 61 Exempt (Non-Potable)
EPA Act 2005 Non-Compliant (PRSV)
ASSE 1056 (VB)