



T&S BRASS AND BRONZE WORKS, INC.
 2 Saddleback Cove / P.O. Box 1088
 Travelers Rest, SC 29690

Model No.
B-1127

Item No.

Travelers Rest, SC: 800-476-4103 • Simi Valley, CA: 800-423-0150 • Fax: 864-834-3518 • www.tsbrass.com



ADA Compliant

This Space for Architect/Engineer Approval

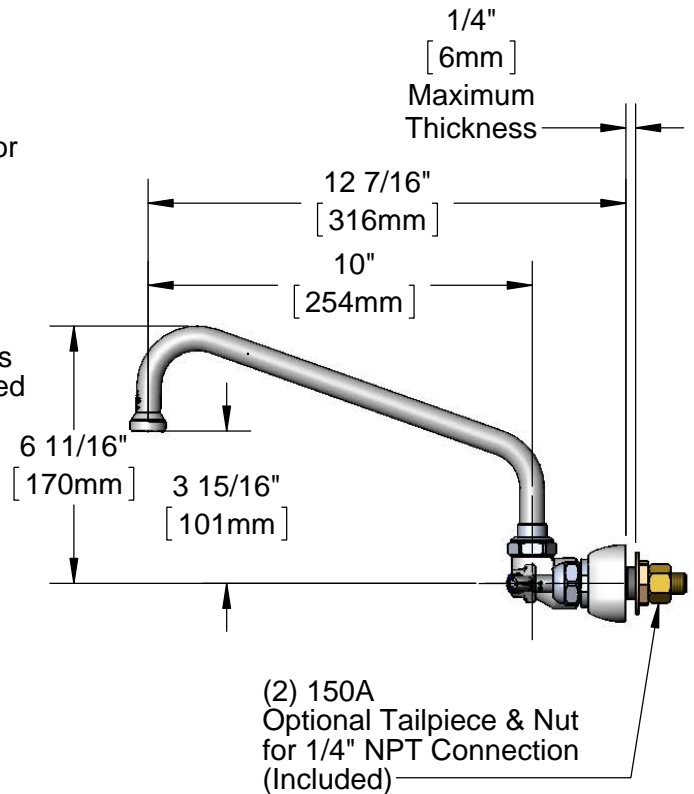
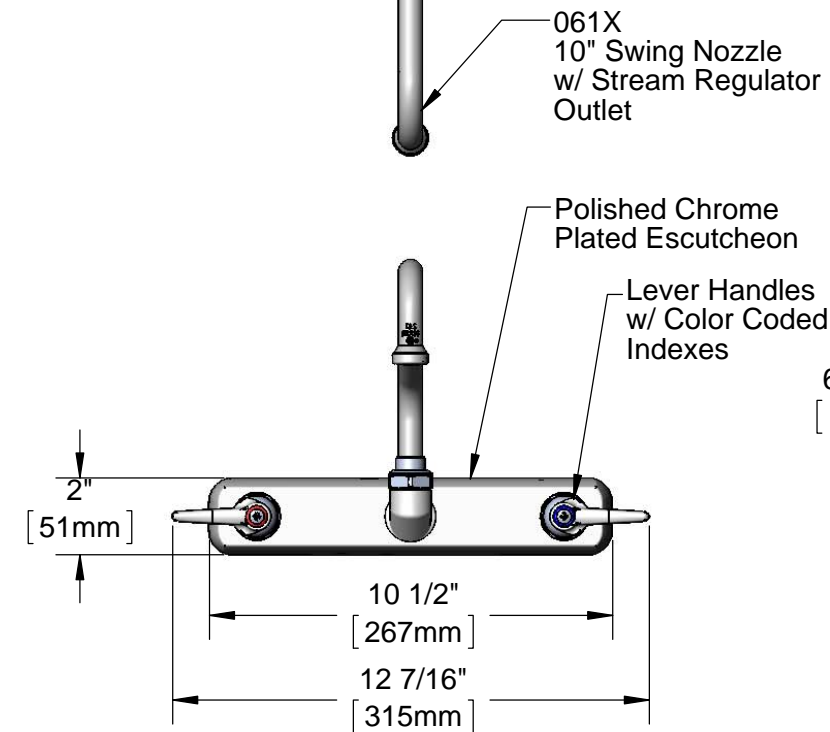
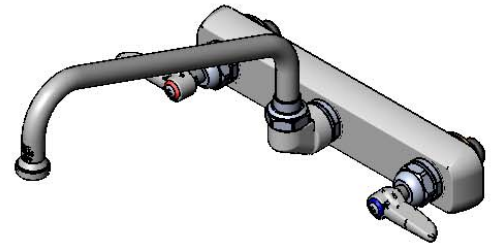
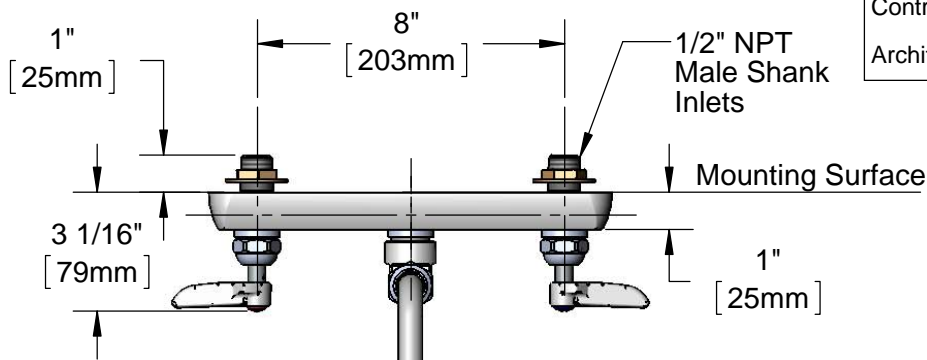
Job Name _____ Date _____

Model Specified _____ Quantity _____

Customer/Wholesaler _____

Contractor _____

Architect/Engineer _____



Rough-In Requirement:
 (2) ϕ 1" [25mm] Mounting Holes

Product Specifications:
 8" Wall Mount Workboard Faucet w/ Lever Handles, 10" Swing Nozzle, Stream Regulator Outlet & 1/2" NPT Male Inlets

Product Compliance:
 ASME A112.18.1 / CSA B125.1
 NSF 61 - Section 9
 NSF 372 (Low Lead Content)
 ANSI A117.1 (ADA)



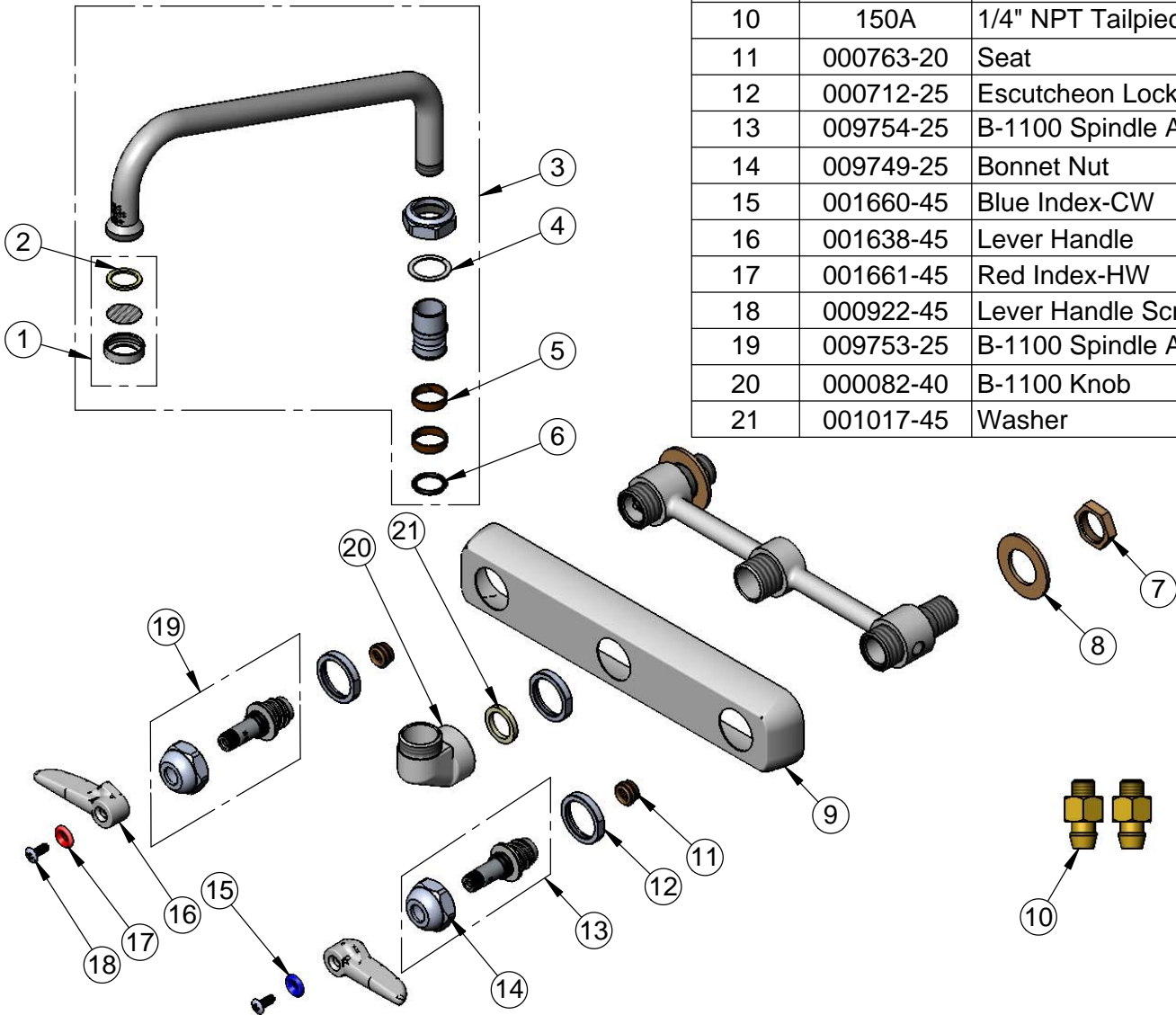
T&S BRASS AND BRONZE WORKS, INC.
 2 Saddleback Cove / P.O. Box 1088
 Travelers Rest, SC 29690

Model No.
B-1127

Item No.

Travelers Rest, SC: 800-476-4103 • Simi Valley, CA: 800-423-0150 • Fax: 864-834-3518 • www.tsbrass.com

ITEM NO.	SALES NO.	DESCRIPTION
1	B-PT	Stream Regulator Outlet
2	001048-45	Nozzle Tip Washer
3	061X	10" Swivel Nozzle w/ B-PT Stream Regulator Outlet
4	009538-45	Swivel Washer
5	011429-45	Swivel Sleeves (2)
6	001074-45	O-Ring
7	002954-45	Shank Lock Nut
8	000999-45	Brass Lock Washer
9	001259-40	Escutcheon
10	150A	1/4" NPT Tailpiece & Nut
11	000763-20	Seat
12	000712-25	Escutcheon Lock Nut
13	009754-25	B-1100 Spindle Assembly, LTC
14	009749-25	Bonnet Nut
15	001660-45	Blue Index-CW
16	001638-45	Lever Handle
17	001661-45	Red Index-HW
18	000922-45	Lever Handle Screw
19	009753-25	B-1100 Spindle Assembly, RTC
20	000082-40	B-1100 Knob
21	001017-45	Washer



Product Specifications:
 8" Wall Mount Workboard Faucet w/ Lever Handles, 10" Swing Nozzle, Stream Regulator Outlet & 1/2" NPT Male Inlets

Product Compliance:
 ASME A112.18.1 / CSA B125.1
 NSF 61 - Section 9
 NSF 372 (Low Lead Content)
 ANSI A117.1 (ADA)