



T&S BRASS AND BRONZE WORKS, INC.
 2 Saddleback Cove / P.O. Box 1088
 Travelers Rest, SC 29690

Model No.
B-1123-WH4

Item No.

Travelers Rest, SC: 800-476-4103 • Simi Valley, CA: 800-423-0150 • Fax: 864-834-3518 • www.tsbrass.com



ADA Compliant

This Space for Architect/Engineer Approval

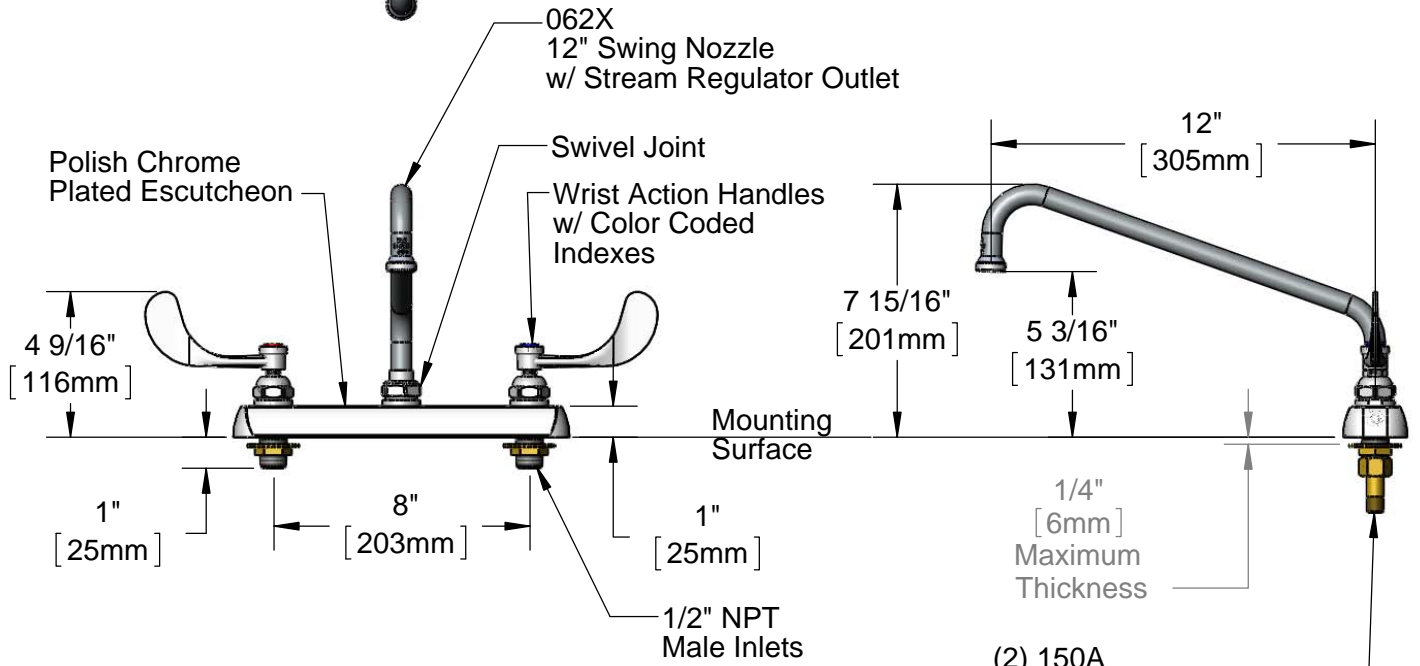
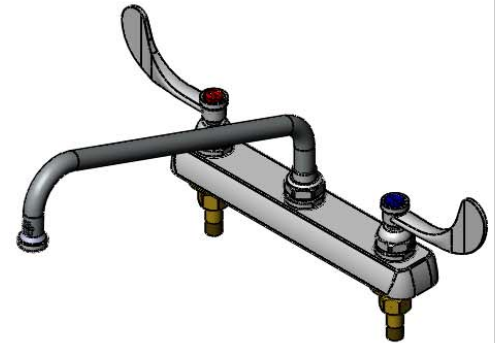
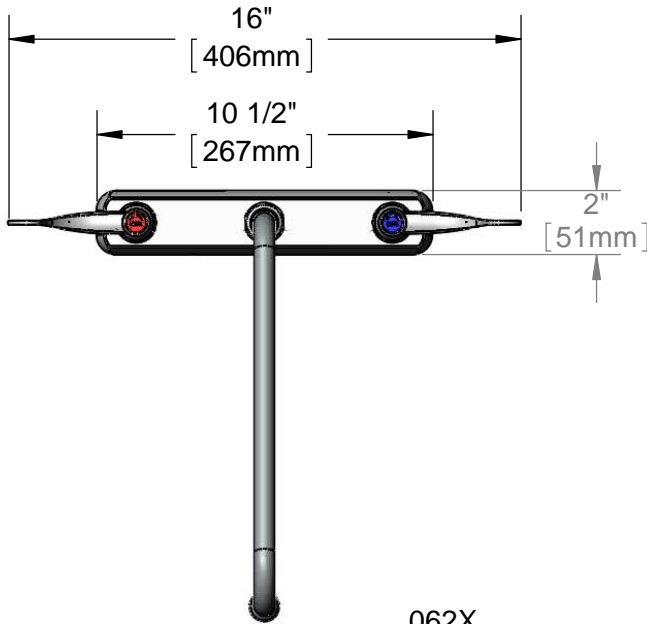
Job Name _____ Date _____

Model Specified _____ Quantity _____

Customer/Wholesaler _____

Contractor _____

Architect/Engineer _____



Rough-In Requirement:
 (2) ϕ 1" [25mm] Mounting Holes

(2) 150A
 Optional Tailpiece & Nut
 for 1/4" NPT Connection
 (Included)

Product Specifications:
 8" Deck Mount Workboard Mixing Faucet, 4" Wrist Action Handles, 12" Swing Nozzle & 1/2" NPT Male Inlets

Product Compliance:
 ASME A112.18.1 / CSA B125.1
 NSF 61 - Section 9
 NSF 372 (Low Lead Content)
 ANSI A117.1 (ADA)

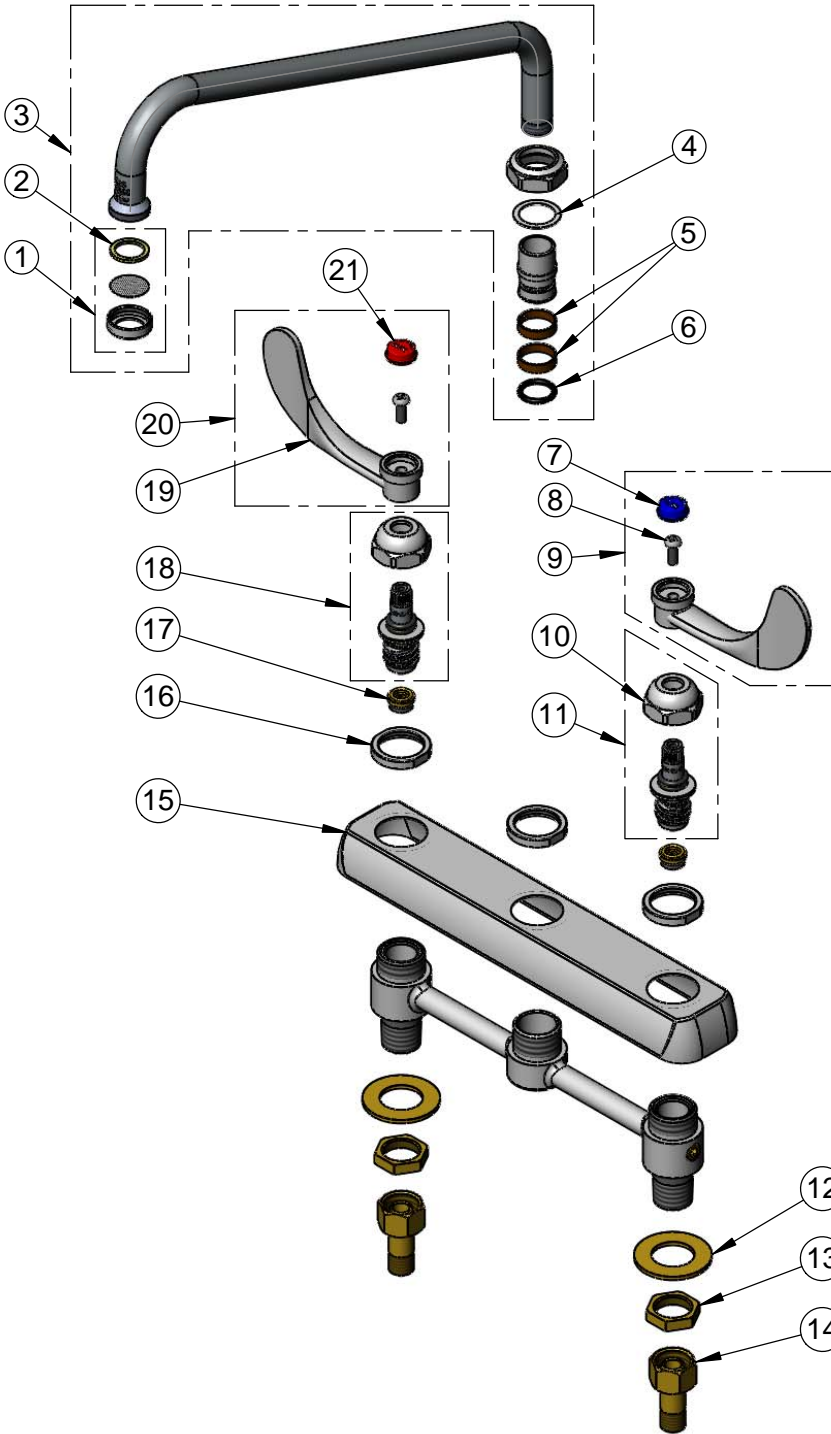


T&S BRASS AND BRONZE WORKS, INC.
 2 Saddleback Cove / P.O. Box 1088
 Travelers Rest, SC 29690

Model No.
B-1123-WH4

Item No.

Travelers Rest, SC: 800-476-4103 • Simi Valley, CA: 800-423-0150 • Fax: 864-834-3518 • www.tsbrass.com



ITEM NO.	SALES NO.	DESCRIPTION
1	B-PT	Stream Regulator Outlet
2	001048-45	Nozzle Tip Washer
3	062X	12" Swing Nozzle
4	009538-45	Swivel Washer
5	011429-45	Swivel Sleeves (2)
6	001074-45	O-Ring
7	001686-45	Blue Index - CW
8	000925-45	Lab Handle Screw
9	B-WH4C	4" Wrist Action Handle, Screw & Cold Index
10	009749-25	Bonnet Nut
11	009424-40	Spindle, LTC (Teflon)
12	000999-45	Brass Lock Washer
13	002954-45	Shank Lock Nut
14	150A	1/4" NPT Tailpiece & Nut
15	001259-40	Escutcheon
16	000712-25	Escutcheon Lock Nut
17	000763-20	Seat
18	009423-40	Spindle, RTC (Teflon)
19	B-WH4	4" Wrist Action Handle
20	B-WH4H	4" Wrist Action Handle, Screw & Hot Index
21	001194-45	Red Index - HW

Product Specifications:
 8" Deck Mount Workboard Mixing Faucet, 4" Wrist Action Handles, 12" Swing Nozzle & 1/2" NPT Male Inlets

Product Compliance:
 ASME A112.18.1 / CSA B125.1
 NSF 61 - Section 9
 NSF 372 (Low Lead Content)
 ANSI A117.1 (ADA)