



T&S BRASS AND BRONZE WORKS, INC.
 2 Saddleback Cove / P.O. Box 1088
 Travelers Rest, SC 29690

Model No.
B-1120-135X-WH4

Item No.

Travelers Rest, SC: 800-476-4103 • Simi Valley, CA: 800-423-0150 • Fax: 864-834-3518 • www.tsbrass.com



ADA Compliant

This Space for Architect/Engineer Approval

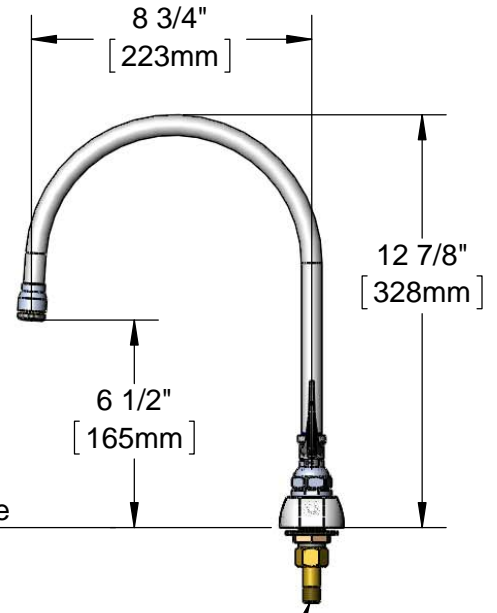
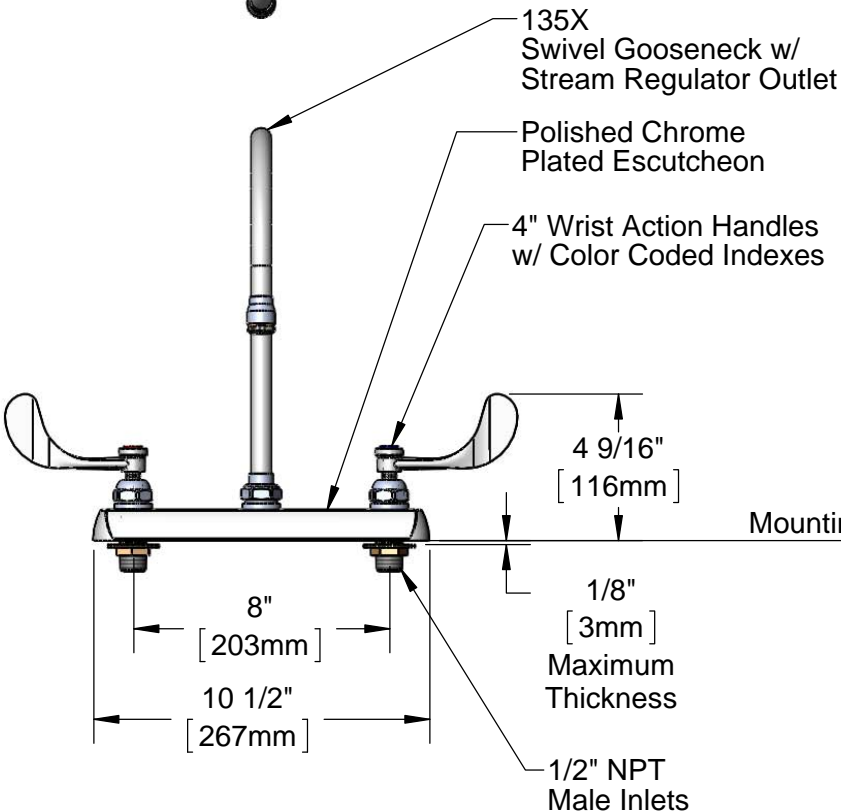
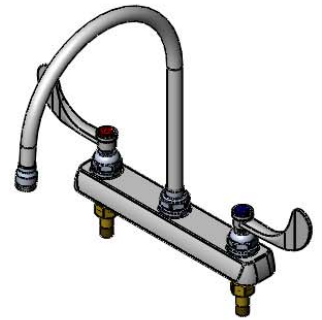
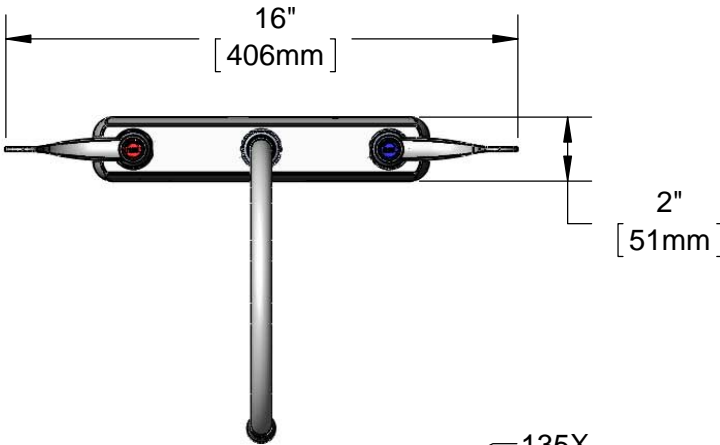
Job Name _____ Date _____

Model Specified _____ Quantity _____

Customer/Wholesaler _____

Contractor _____

Architect/Engineer _____



(2) 150A
 Optional Tailpieces & Nut
 For 1/4" NPT Connection
 (Included)

Rough-In Requirement:
 (2) ϕ 1" [25mm] Mounting Holes

Product Specifications:
 8" Workboard Faucet, 4" Wrist Action Handles, Swivel Gooseneck
 w/ Stream Regulator Outlet & 1/2" NPT Male Inlets

Drawn KJG	Checked DMH	Approved JHB
Scale: 1:6		Date: 05/24/13

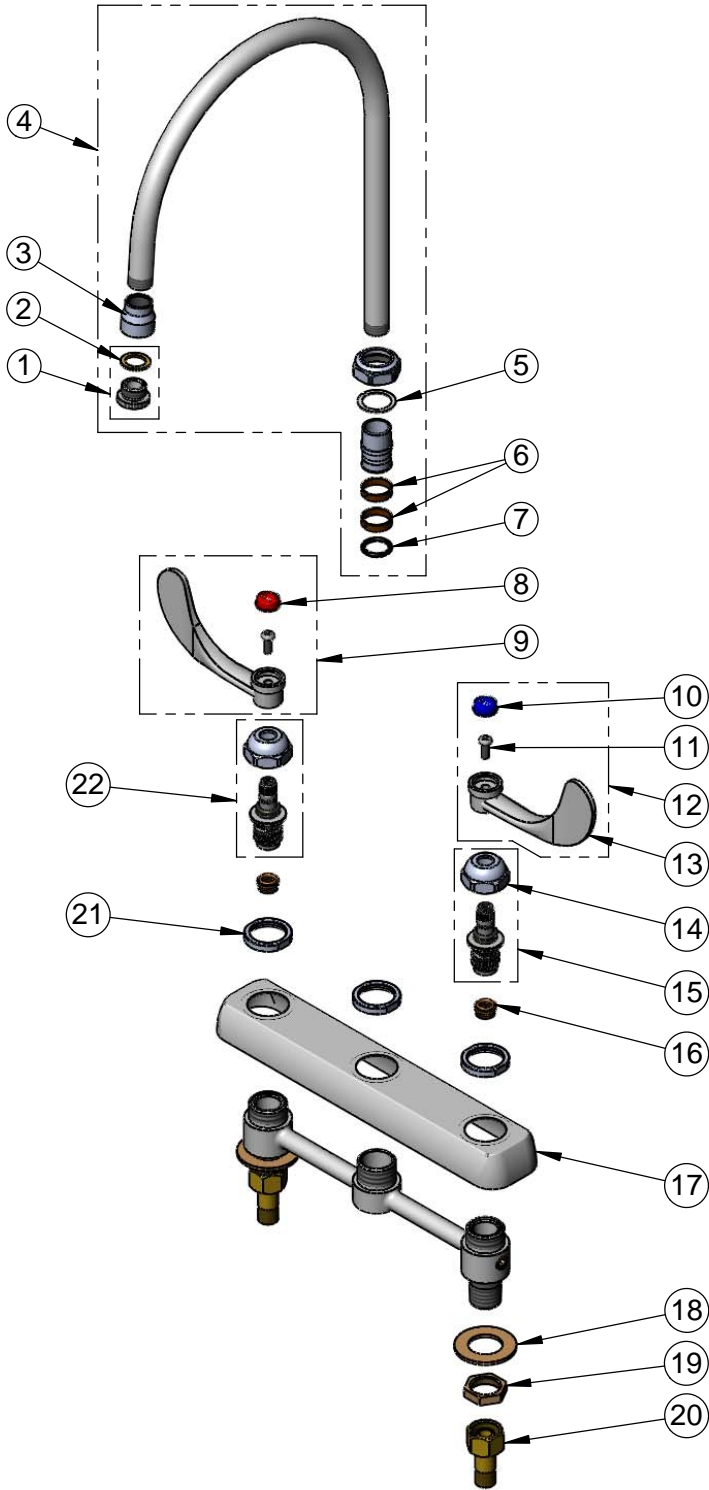


T&S BRASS AND BRONZE WORKS, INC.
 2 Saddleback Cove / P.O. Box 1088
 Travelers Rest, SC 29690

Model No.
B-1120-135X-WH4

Item No.

Travelers Rest, SC: 800-476-4103 • Simi Valley, CA: 800-423-0150 • Fax: 864-834-3518 • www.tsbrass.com



ITEM NO.	SALES NO.	DESCRIPTION
1	B-LT	Stream Regulator Outlet
2	001043-45	Washer
3	000557-25	Adapter Bell, 5/8"-27UN Female x 3/8" NPSM Female
4	135X	8 3/4" Swivel Gooseneck w/ B-LT Stream Regulator Outlet
5	009538-45	Swivel Washer
6	011429-45	Swivel Sleeves (2)
7	001074-45	O-Ring
8	001194-45	Red HW Index
9	B-WH4H	4" Wrist Action Handle, Screw & Hot Index
10	001686-45	Blue CW Index
11	000925-45	Lab Handle Screw
12	B-WH4C	4" Wrist Action Handle, Screw & Cold Index
13	B-WH4	4" Wrist Action Handle
14	009749-25	Bonnet Nut
15	009424-40	B-2346 Spindle Assembly, LTC (Teflon)
16	000763-20	Seat
17	001259-40	Escutcheon
18	000999-45	Brass Lock Washer
19	002954-45	Shank Lock Nut
20	150A	1/4" NPT Tailpiece & Nut
21	000712-25	Escutcheon Lock Nut
22	009423-40	B-2346 Spindle Assembly, RTC (Teflon)

Product Specifications:
 8" Workboard Faucet, 4" Wrist Action Handles, Swivel Gooseneck
 w/ Stream Regulator Outlet & 1/2" NPT Male Inlets

Drawn KJG	Checked DMH	Approved JHB
Scale: NTS		Date: 05/24/13