



T&S BRASS AND BRONZE WORKS, INC.

2 Saddleback Cove / P.O. Box 1088
Travelers Rest, SC 29690

Model No.

B-1113

Item No.

Travelers Rest, SC: 800-476-4103 • Simi Valley, CA: 800-423-0150 • Fax: 864-834-3518 • www.tsbrass.com



ADA Compliant

This Space for Architect/Engineer Approval

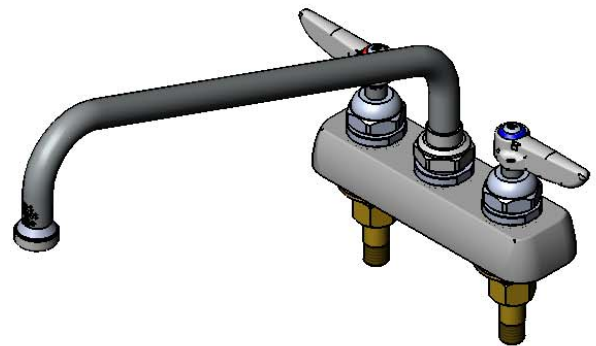
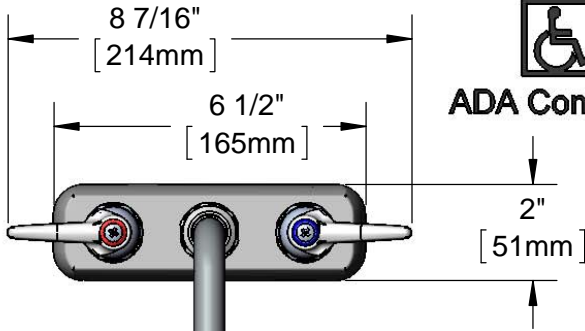
Job Name _____ Date _____

Model Specified _____ Quantity _____

Customer/Wholesaler _____

Contractor _____

Architect/Engineer _____



Polish Chrome Plated Escutcheon

Lever Handles w/ Color Coded Indexes

062X
12" Swing Nozzle w/
Stream Regulator
Outlet

Swivel Joint

12"
[305mm]

3 1/16"
[78mm]

1"
[25mm]

5 3/16"
[131mm]

7 15/16"
[201mm]

Mounting Surface

1/4"
[6mm]
Maximum
Thickness

4"
[102mm]

1"
[25mm]

1/2" NPT
Male Inlets

150A
Tailpiece & Nut
Furnished For
1/4" NPT Connection

Rough-In Requirement:
(2) ϕ 1" [25mm] Mounting Holes

Product Specifications:

4" Deck Mount Workboard Faucet, Lever Handles, 12" Swing Nozzle & 1/2" NPT Male Inlets

Product Compliance:

ASME A112.18.1 / CSA B125.1
NSF 61 - Section 9
NSF 372 (Low Lead Content)
ANSI A117.1 (ADA)



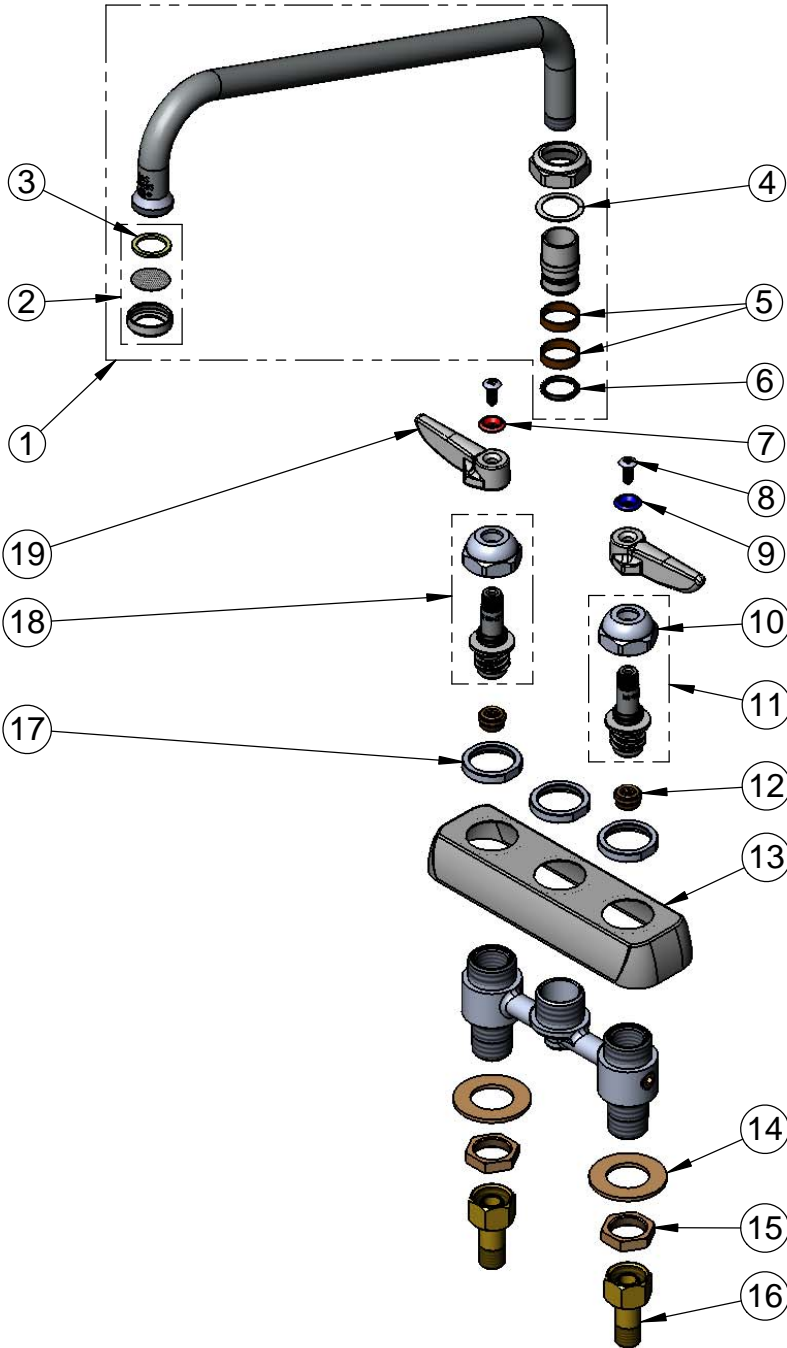
T&S BRASS AND BRONZE WORKS, INC.
 2 Saddleback Cove / P.O. Box 1088
 Travelers Rest, SC 29690

Model No.
B-1113

Item No.

Travelers Rest, SC: 800-476-4103 • Simi Valley, CA: 800-423-0150 • Fax: 864-834-3518 • www.tsbrass.com

ITEM NO.	SALES NO.	DESCRIPTION
1	062X	12" Swing Nozzle
2	B-PT	Stream Regulator Outlet
3	001048-45	Nozzle Tip Washer
4	009538-45	Swivel Washer
5	011429-45	Swivel Sleeves (2)
6	001074-45	O-Ring
7	001661-45	Red Index-HW
8	000922-45	Lever Handle Screw
9	001660-45	Blue Index-CW
10	009749-25	Bonnet Nut
11	009754-25	B-1100 Spindle, LTC
12	000763-20	Seat
13	001258-40	Escutcheon
14	000999-45	Brass Lock Washer
15	002954-45	Shank Lock Nut
16	150A	1/4" NPT Tailpiece & Nut
17	000712-25	Escutcheon Lock Nut
18	009753-25	B-1100 Spindle, RTC
19	001638-45	Lever Handle



Product Specifications:
 4" Deck Mount Workboard Faucet, Lever Handles, 12" Swing Nozzle
 & 1/2" NPT Male Inlets

Product Compliance:
 ASME A112.18.1 / CSA B125.1
 NSF 61 - Section 9
 NSF 372 (Low Lead Content)
 ANSI A117.1 (ADA)